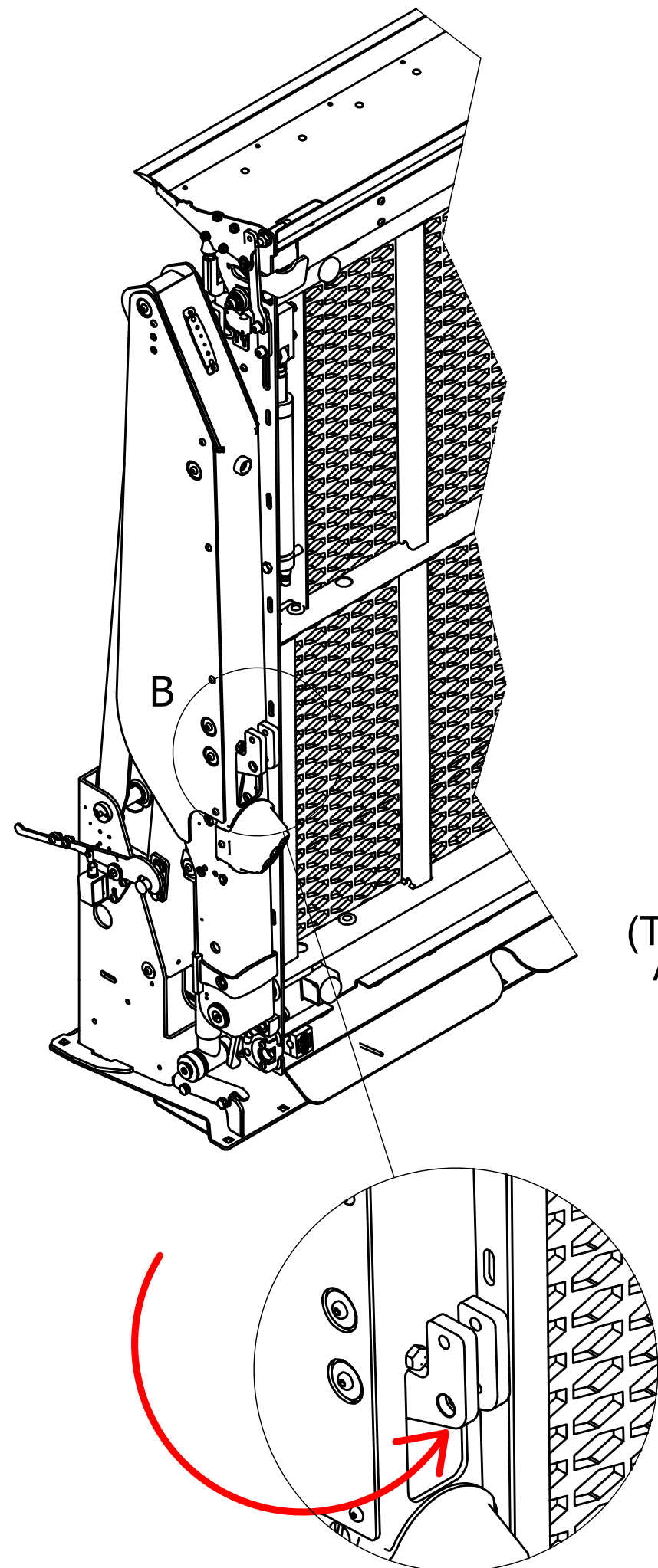
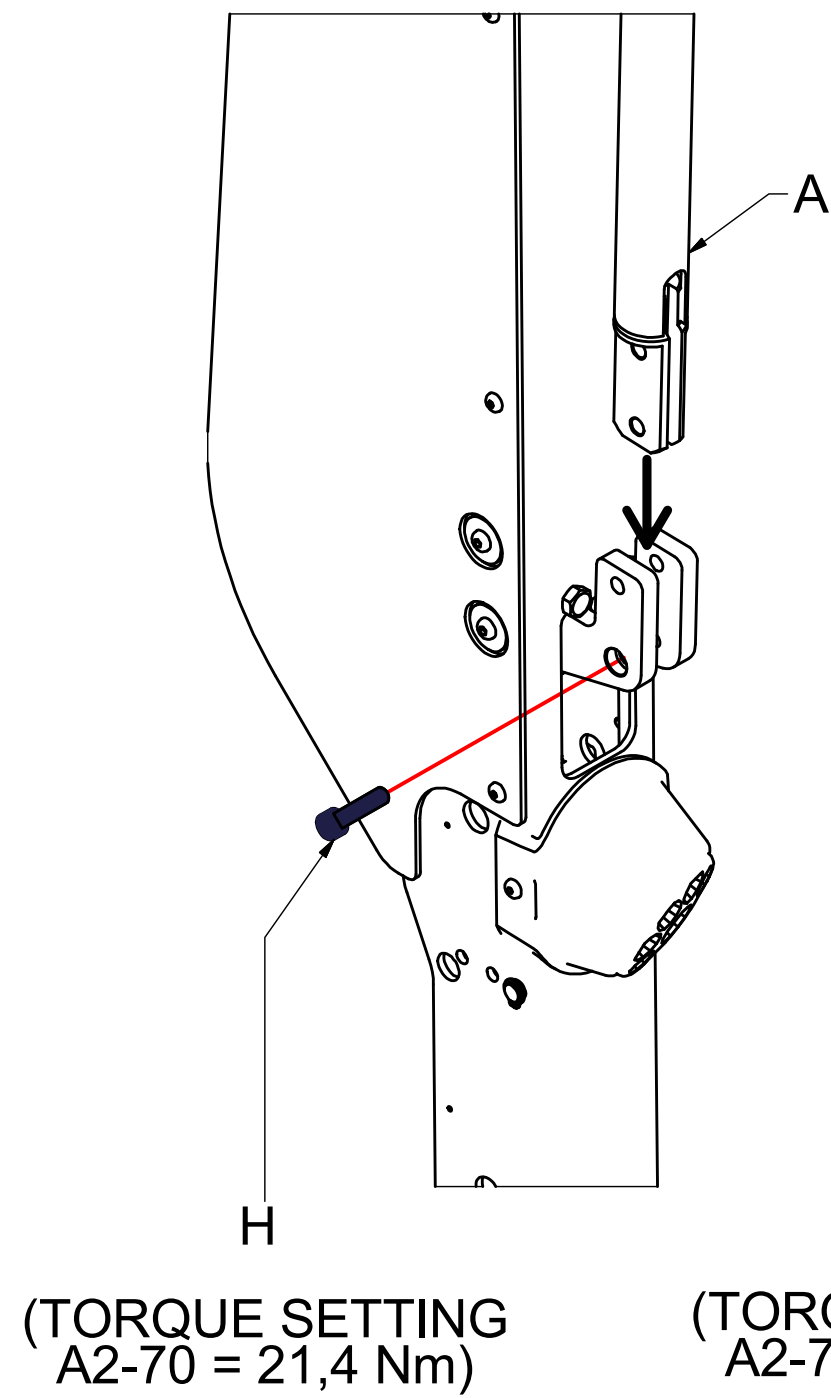


A	B	C	D	E	F	H	G	L	M
x 2	x 2	x 2	M8X70 x 2	x 2	x 2	M8X30 x 2	x 2	M5X10 x 4	x 1

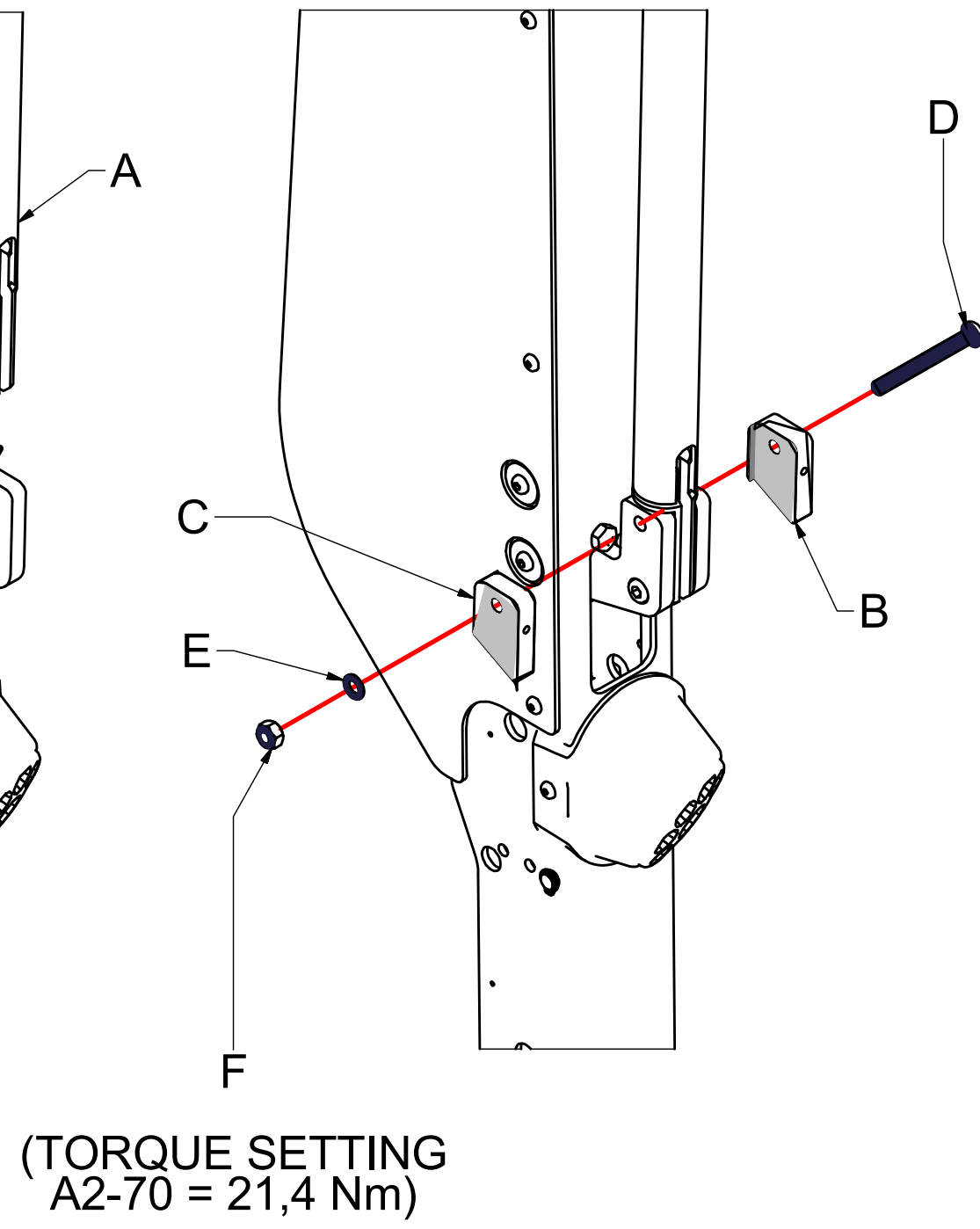
STEP 1
WHIT LIFT CLOSED



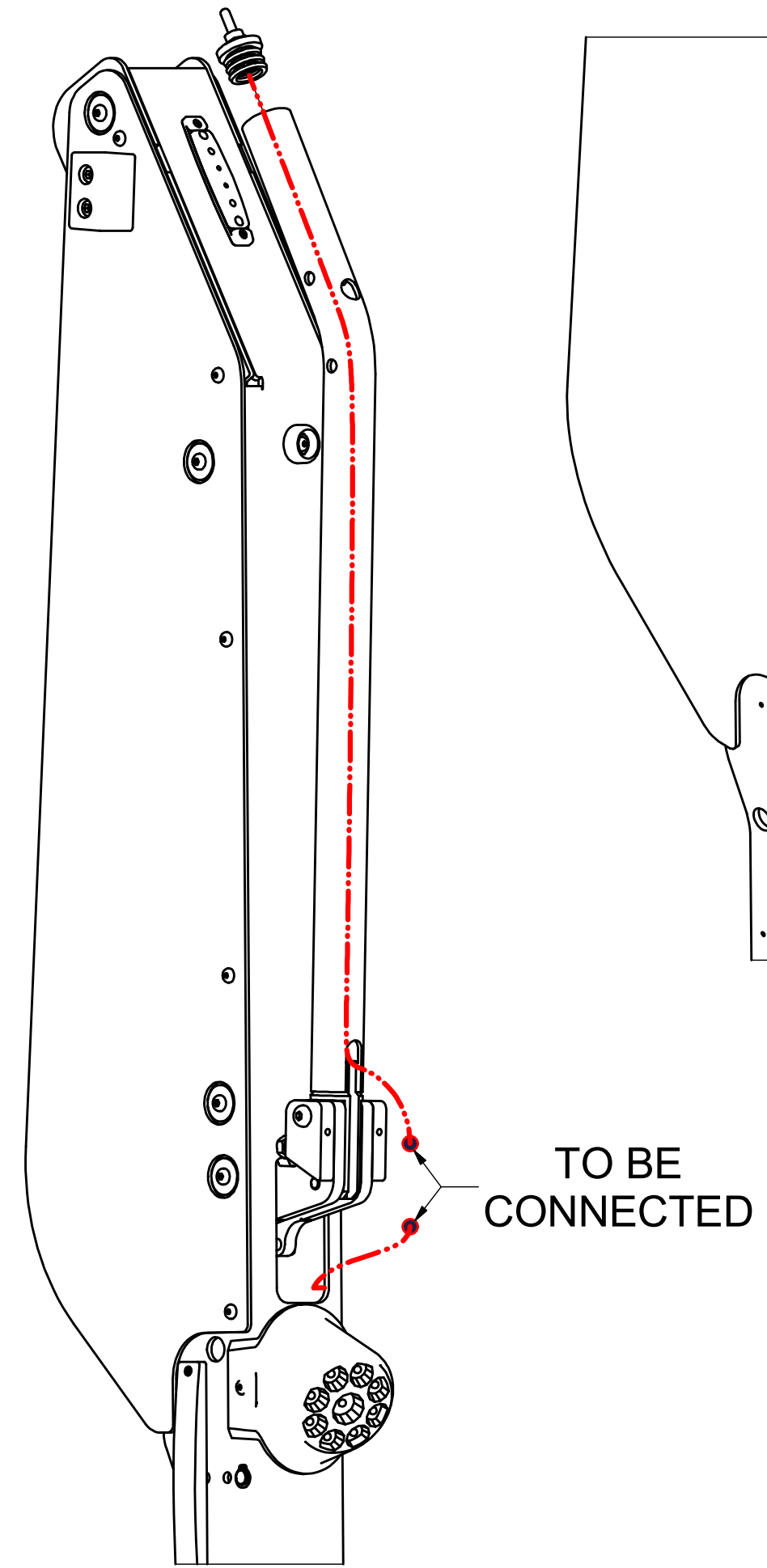
STEP 2



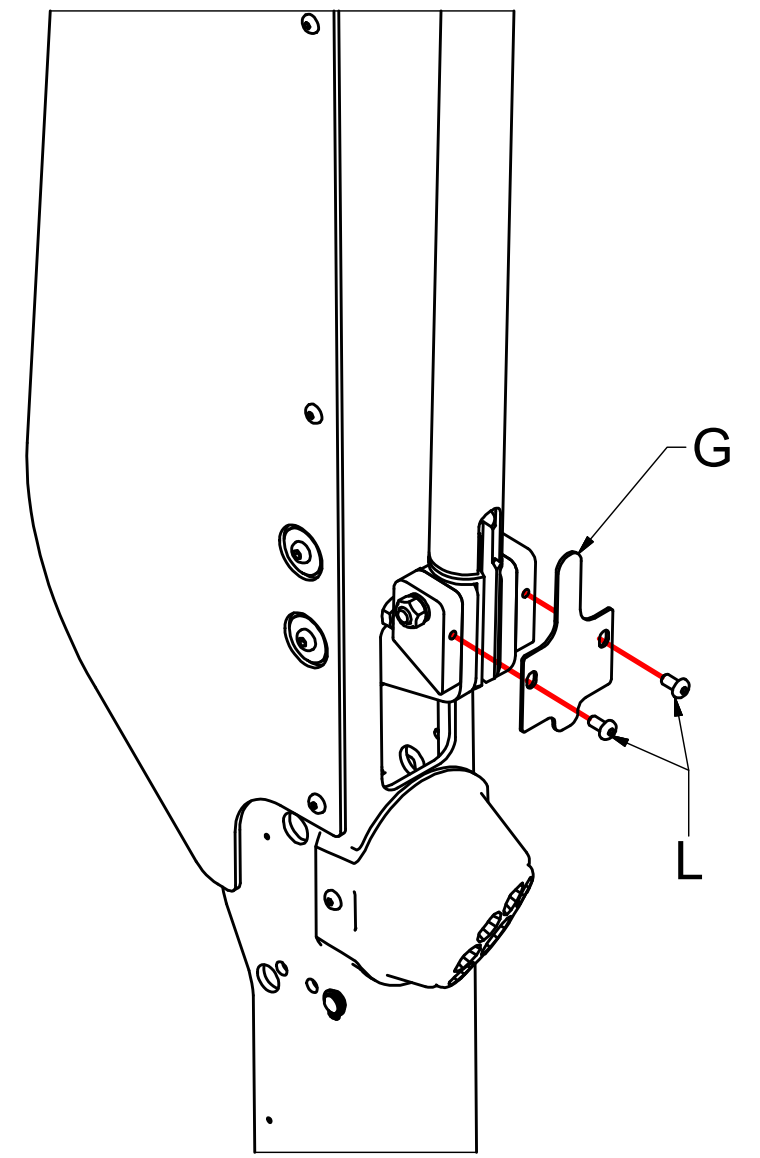
STEP 3



STEP 4



STEP 5



STEP 6

