



SPARE PARTS CATALOGUE

iCLASS FMVSS

FP MODEL



OCTOBER 2021 – REV.01

Nessuna parte di questo manuale può essere riprodotta, memorizzata in un sistema di archiviazione o trasmessa a terzi in qualsiasi forma o con qualsiasi mezzo, senza che **Mobility Networks Ltd** abbia rilasciato preventiva autorizzazione scritta.

Mobility Networks Ltd si riserva il diritto di apportare, in qualsiasi momento e senza preavviso, modifiche e miglioramenti ai prodotti per incrementarne la qualità, senza che tali modifiche siano riportate nella presente pubblicazione.

This handbook cannot be reproduced, stored by a filing system or transmitted to third parties, in whole or in part, in whatsoever form or medium, without permission from **Mobility Networks Ltd**.

Mobility Networks Ltd reserve the right to carry out product changes and improvements in order to enhance quality at any time and without notice, even if such modifications are not repeated in this publication.

MODELS FP :

FP84138

FP80150

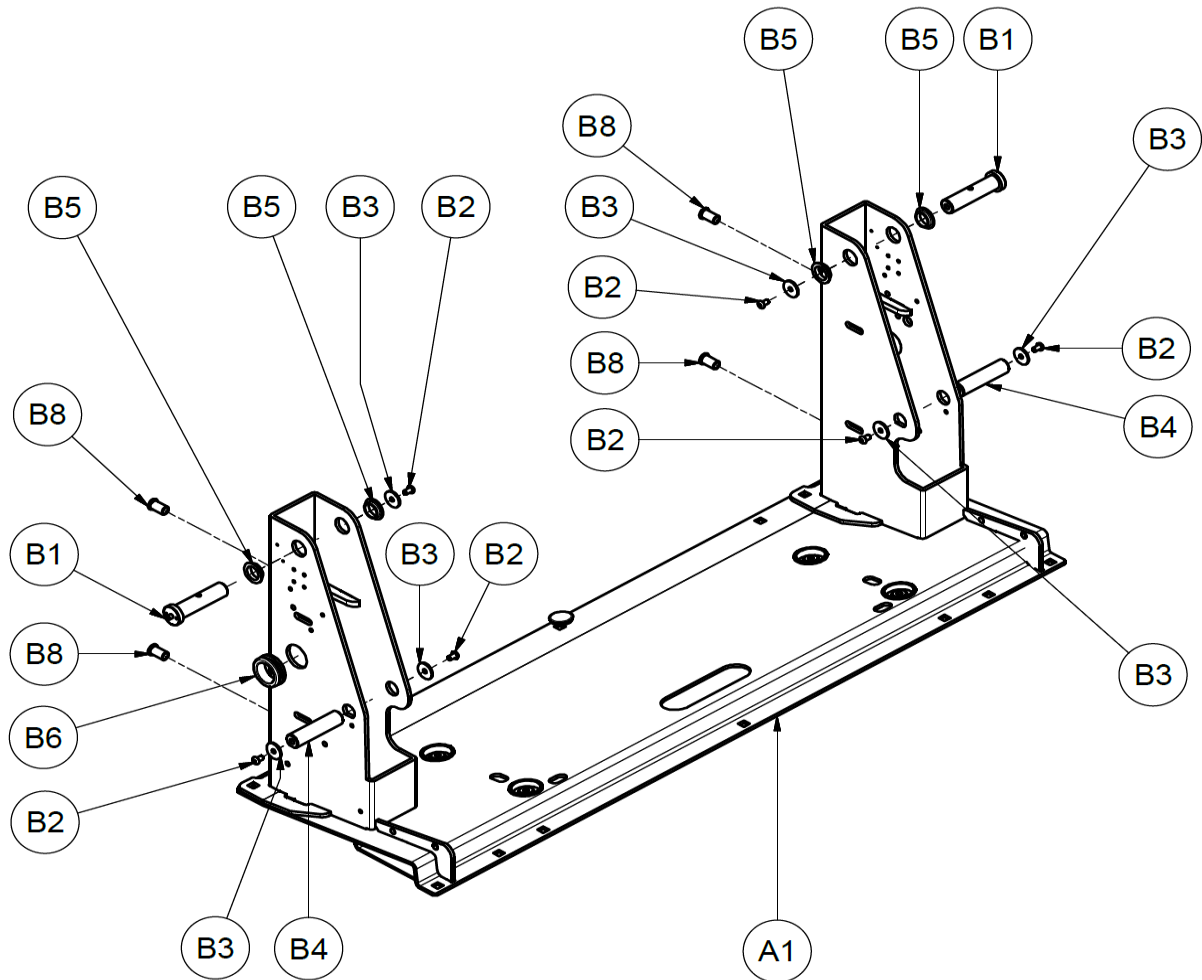
<i>REVISION No.</i>	<i>DATE</i>	<i>NOTE</i>
00	OCTOBER '20	ORIGINAL VERSION
01	OCTOBER '21	UP-GRADE

SUMMARY					
DESCRIPTION	DRAWING TABLE	CODE	MODEL	Page	
Main base		ASM1750	FP84	6	
		ASM1545	FP80		
Pin and fasteners kit	TAV. 1	KIT2550	ALL		
Pivot bushes kit	TAV.2 (B)	KIT2015	ALL	8	
Arm end cover kit	TAV.2 (C)	KIT2555	ALL	8	
Under arm kit	TAV.2 (A)	KIT2032	ALL	8	
Upper arm kit	TAV.2	KIT2037	ALL	8	
Rail kit	TAV.3	KIT2558	ALL	9	
Sensitive edges kit	TAV.4 (A)	KIT2045	ALL	11	
Threshold springs kit	TAV.4 (B)	KIT2050	ALL		
Sensitive threshold kit	TAV 4	KIT2547 KIT2546	FP80 FP84		
Lifting cylinder kit	TAV.5 (A)	KIT2062	ALL	13	
Hydr.connection for 2 cylinder kit	TAV.5 (B)	KIT2065	ALL		
Seals kit	TAV.5 (C)	KIT2068	ALL		
Electromagnet for hook kit	TAV.6 (A)	KIT2070	ALL MODELS	15	
Safety hook kit (left mounting)	TAV.6 (B)	KIT2075			
Safety hook kit (right mounting)	TAV.6 (B)	KIT2076			
Pin for safety hook kit	TAV.6 (C)	KIT2080			
Outer arm frame kit	TAV.7	ASM1549 ASM1548	ALL MODELS	15-17	
Frog light kit	TAV.7 (B)	KIT2085			
Pivot pins kit	TAV.7 (C)	KIT2091			
Arms panels	TAV.7 (D)	KIT2097			
Strip leds kit	TAV.7 (E)	KIT2100	ALL MODELS	15-17	
Gas spring pins and spacer kit	TAV.7 (F)	KIT2106			
Handrail adjuster bolts kit	TAV.7 (G)	KIT2110			
Platform and handrails buffers kit	TAV.7 (H)	KIT2116		15-17	
End run kit	TAV.7 (M) left TAV.7 (M) right	KIT2562 KIT2563			17
Telescopic right kit	TAV.8 RIGHT	KIT2571	ALL	19	
Telescopic left kit	TAV.8 LEFT	KIT2576			
Rotational stowage arm kit	TAV.8 RIGHT/LEFT	KIT2581			
Gas spring	TAV.8 (C)	MOL0013			
Knuckle joints handrails kit	TAV.9 (A)	KIT2143	ALL	22	
Inner barrier linkage kit right	TAV.11 (A) right	KIT2586	ALL	24	
Inner barrier linkage kit left	TAV.11 (A) left	KIT2587			
Inner barrier hook kit	TAV.11 (B)	KIT2180			
Inner barrier kit	TAV.12	KIT2596 KIT2598	FP84 FP80	26	
Platform fixing kit	TAV.13 (A)	KIT2601	ALL	27/29	
Under platform fixing kit	TAV.13 (B)	KIT2602			
spring kit	TAV.13 (C)	KIT2603			FP84
		KIT2604			FP80
Support front flap fixing kit	TAV.13 (D)	KIT2642			FP84
		KIT2644			FP80
Front flap safety hook kit	TAV.13 (E)	KIT2606			ALL
Platform kit	TAV.13 (F)	KIT2607			FP84
		KIT2608			FP80
Block platform kit	TAV.13 (G)	KIT2611			ALL
Full assembled platform kit	TAV.13	KIT2610			FP84
		KIT2615			FP80

Platform lever kit (right)	TAV.13_LEVER	KIT2630	FP84	31
		KIT2620	FP80	
Platform lever kit (left)	TAV.13_LEVER	KIT2635	FP84	33
		KIT2625	FP80	
Front flap alloy kit	TAV.14 (A)	KIT2652	FP84	35
		KIT2654	FP80	
Front flap locking pin kit	TAV.14 (B)	KIT2250	FP84	
		KIT2658	FP80	
Main frame front flap kit	TAV.14 (C)	KIT2659	ALL	
Pressure switch kit	TAV.15 (A)	KIT2664	ALL	37
Suction tube kit	TAV.15 (B)	KIT2266	ALL	
Oil filling hose kit	TAV.15 (C)	KIT2270	ALL MODELS	
External Hydraulic fitting kit	TAV.15 (G) - LEFT	KIT2670		
	TAV.15 (H) - RIGHT	KIT2671		
Tank kit	TAV.15 (E)	KIT2281	ALL	
Manifold kit	TAV.15 (F)	KIT2282	ALL	
Electric motor kit.(12V.)	TAV.15 (A) Part.1	KIT2285	ALL MODELS	39
Hydraulic unit manifold fixing kit	TAV.15 (B) Part.1	KIT2290		
Fixing kit for black plate power pack	TAV.15 (C) Part.1	KIT2295		
Power pack right cover kit and fixings RIGHT	TAV.15 (D) Part.1	KIT2300		
Power pack left cover kit and fixings LEFT		KIT2301		
Lowering valve kit	TAV.15 (E) Part.1	KIT2305		
Hand pump rod kit	TAV.15 (F) Part.1	KIT2310		
LCD display kit	TAV.15 (G) Part.1	KIT2315	ALL MODELS	39
Power pack kit	TAV.15 Part.1	KIT2356		
Earthing bolt kit	TAV.15 (A) Assembly3	KIT2320	ALL MODELS	42
Rotary sensor kit	TAV.15 (B) Assembly3	KIT2325		
Isolator solenoid kit	TAV.15 (C) Assembly3	KIT2330		
ECU kit	TAV.15 (D) Assembly3	KIT2336		
Resettable circuit breakers kit	TAV.15 (E) Assembly3	KIT2340		
Hand controller kit	TAV.15 (F) Assembly3	KIT2345		
Power switch	TAV.15 (G) Assembly3	INT0038		
BATTERY THROUGH PANEL	TAV.15 (H) Assembly3	CON0100		
Adapter flange door open connector	TAV.15 (L) Assembly3	KIT2350		
Green light	TAV.15 (J) Assembly3	CAB0207		
Support plate right power pack	TAV.15 (M) Assembly3	LAS1953		
Support plate left power pack		LAS2077		
Microswitch	TAV.15 (N) Assembly3	KIT2347		
Hydraulic hose kit	TAV.16 (A)	KIT2690		
Hydraulic drainage hoses kit	TAV.16 (B)	KIT2365		
Public Handrails	TAV.18 (A)	KIT2369		46
Private Handrails	TAV.18 (B)	KIT2376		
COVER Handrails	TAV.18 (C)	KIT2150		
Switch Joystick kit	TAV.19 (A)	KIT0379	ALL MODELS	48
Support of safety belt kit	TAV.19 (B)	KIT2385		
Safety belt kit	TAV.19	KIT0380		
Cover handrails	TAV.19 (E)	KIT2150		
Switch Joystick + safety belt kit	TAV.19	KIT0381		
Electrical wiring	TAV.20	KIT2705	ALL MODELS	50
External wiring		KIT0417		
Fixing kit	TAV.21	KIT2410	ALL MODELS	51
		KIT2411		
Label	TAV.22	KIT2415	ALL MODELS	52
	TAV.22	KIT2420		53
		TAR0417		53
NOTE				54

Pos.	Q.tà	Code	Descrizione	Description	NOTE
A1	1	ASM1750	BASE	MAIN BASE	FP84 - KIT2551
A2	1	ASM1545	BASE	MAIN BASE	FP80 - KIT2552

KIT2550 : BASE FASTENER KIT					
Pos.	Q.tà	Code	Descrizione	Description	NOTE
B1	2	PER0166	PERNO MAGNETE	MAGNET PIN	
B2	6	#500426	VITE TE M8x14	SCREW TE M8x14	
B3	6	RON0030	RONDELLA Ø8	WASHER Ø8	
B4	2	PER0015	PERNO Ø20	PIN Ø20	
B5	2	502531	BOCCOLA	BUSH	
B6	1	PAS0003	PASSACAVO	RUBBER GROMMET	
B8	4	INS0002	INSERTO	THREADED INSERT	

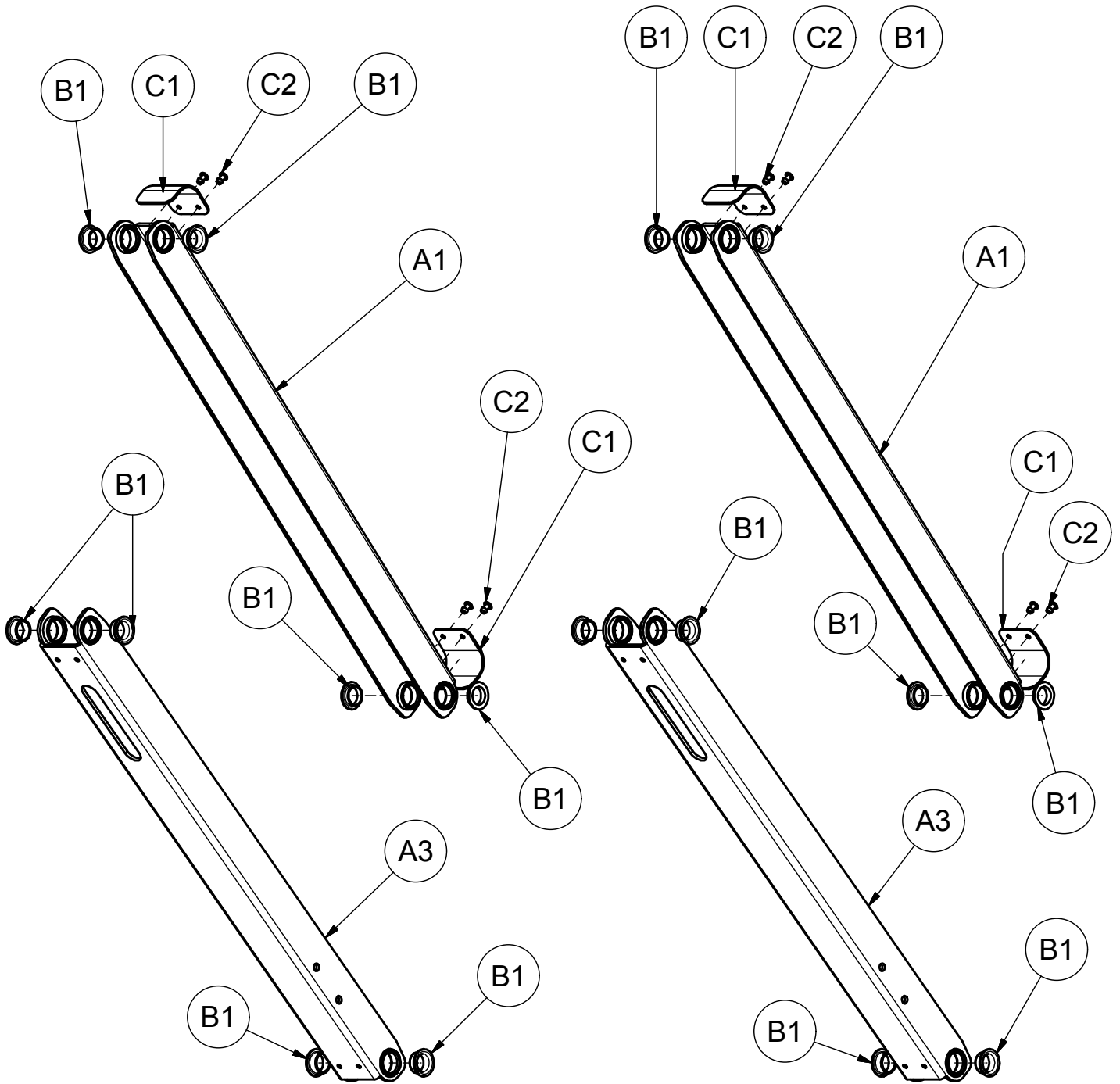


KIT2015 : PIVOT BUSH					
Pos.	Q.tà	Code	Descrizione	Description	NOTE
B1	4	BOC0023	BOCCOLA	BUSH	

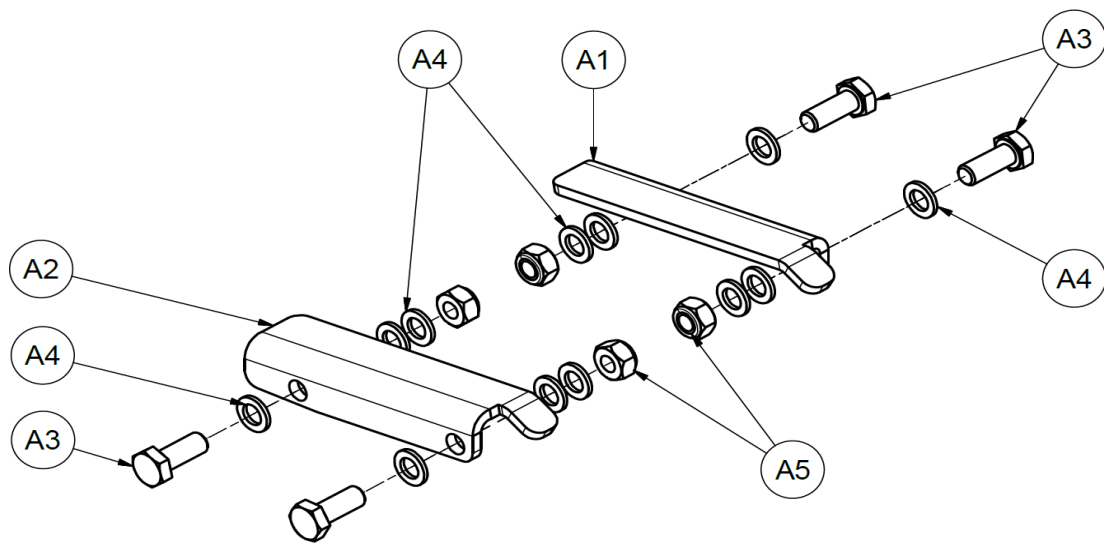
KIT2555 : COVER OF ARMS					
Pos.	Q.tà	Code	Descrizione	Description	NOTE
C1	4	LAS1614	CARTER BRACCIO	COVER	
C2	8	501911	RIVETTO	RIVET	

KIT2032 : UNDER ARM					
Pos.	Q.tà	Code	Descrizione	Description	NOTE
A3	1	ASM1217	BRACCIO INF.	UNDER ARM	
B1	4	BOC0023	BOCCOLA	BUSH	

KIT2037 : UPPER ARM KIT					
Pos.	Q.tà	Code	Descrizione	Description	NOTE
A1	1	ASM1206	BRACCIO SUP.	UPPER ARM	
A1	1	ASM1206	BRACCIO SUP.	UPPER ARM	
B1	4	BOC0023	BOCCOLA	BUSH	
C1	2	LAS1614	CARTER	COVER	
C2	4	501911	RIVETTO	RIVET	



KIT2558 : RAIL KIT					
Pos.	Q.tà	Code	Descrizione	Description	NOTE
A1	1	LAS1541	ROTAIA DX P FMVSS	RIGHT RAIL	
A2	1	LAS1557	ROTAIA SX P FMVSS	LEFT RAIL	
A3	4	#500429	VITE TE M8X20	SCREW TE M8X20	
A4	12	RON0001	RONDELLA D.8	WASHER	
A5	4	DAD0034	DADO	NUT	

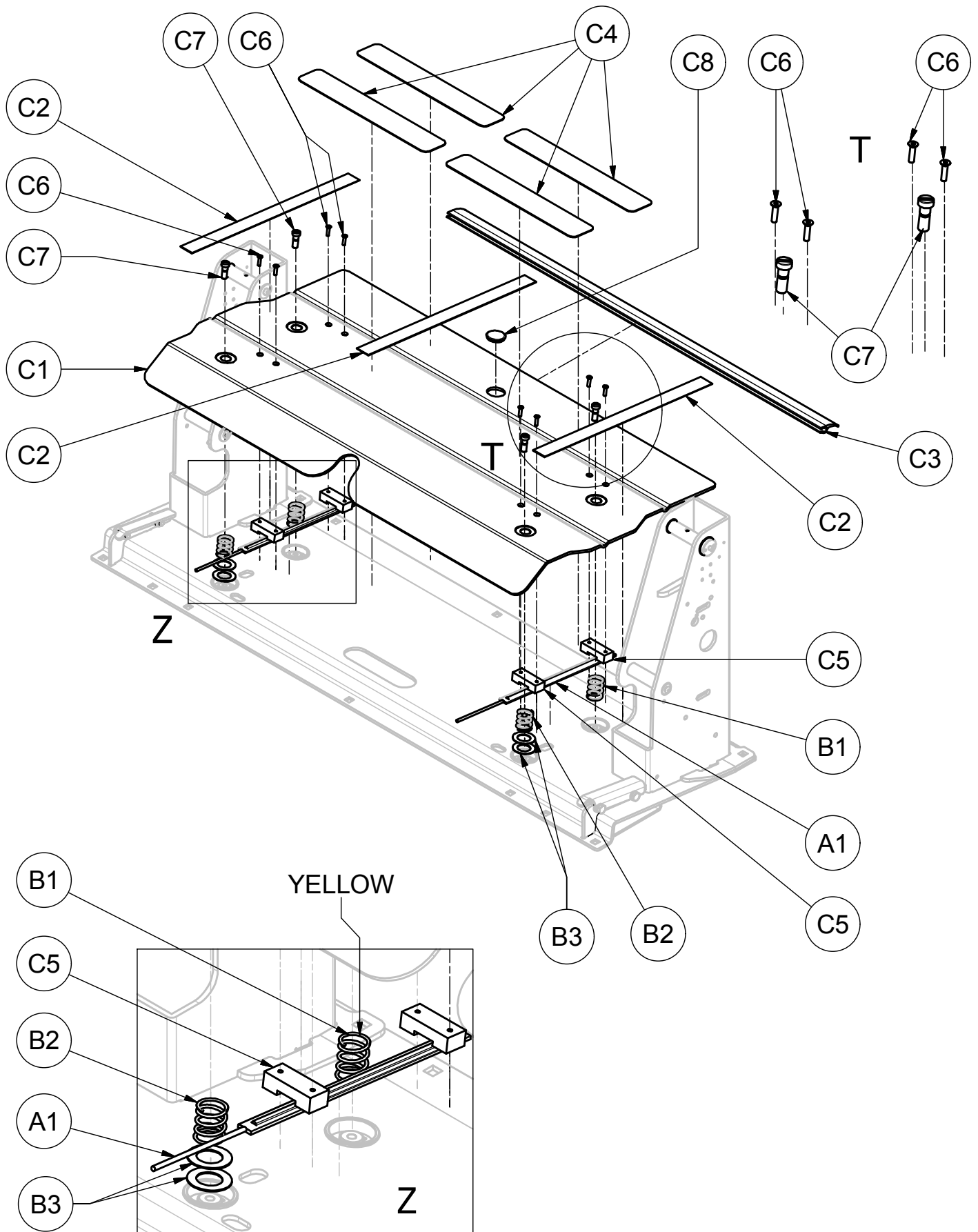


KIT2045 : SENSITIVE EDGE KIT					
Pos.	Q.tà	Code	Descrizione	Description	NOTE
A1	2	CAB0195	BORSO SENSIBILE	SENSITIVE EDGE	

KIT2050 : THRESHOLD SPRINGS KIT					
Pos.	Q.tà	Code	Descrizione	Description	NOTE
B1	2	MOL0070	MOLLA ALTA	HIGH SPRING	
B2	2	MOL0071	MOLLA	SPRING	
B3	4	#C402013	Rasamento	WASHER	

KIT2546 : SENSITIVE THRESHOLD KIT				FP 84 MODEL	
Pos.	Q.tà	Code	Descrizione	Description	NOTE
C1	1	ASM1751	SAFETY BRIDGE	EXTRUSION	
C2	Mt.1,1	NAS0010	PATTINO	SLIDE	
C3	Mt.0,81	PRF0472	PROFILO IN GOMMA	RUBBER PROFILE	
C4	4	RTO0044	SAFETY-GRIP	SAFETY	
C5	4	BLO0097	BLOCCHETTO	SPACER	
C6	8	#551480	VITE TSPEI M4x16	BOLT TSPEI M4X16	
C7	4	PER0356	PERNO	PIN	
C8	not included				

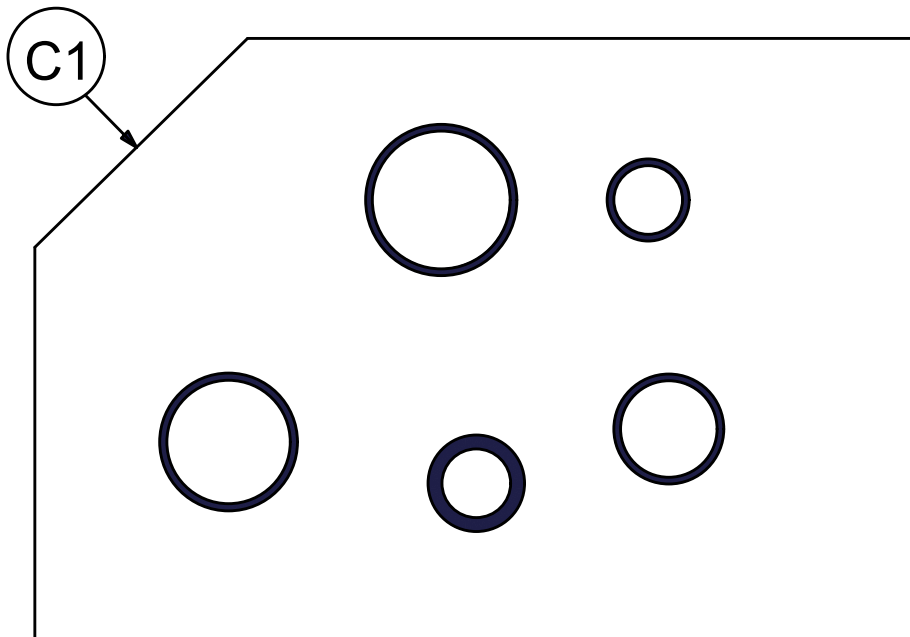
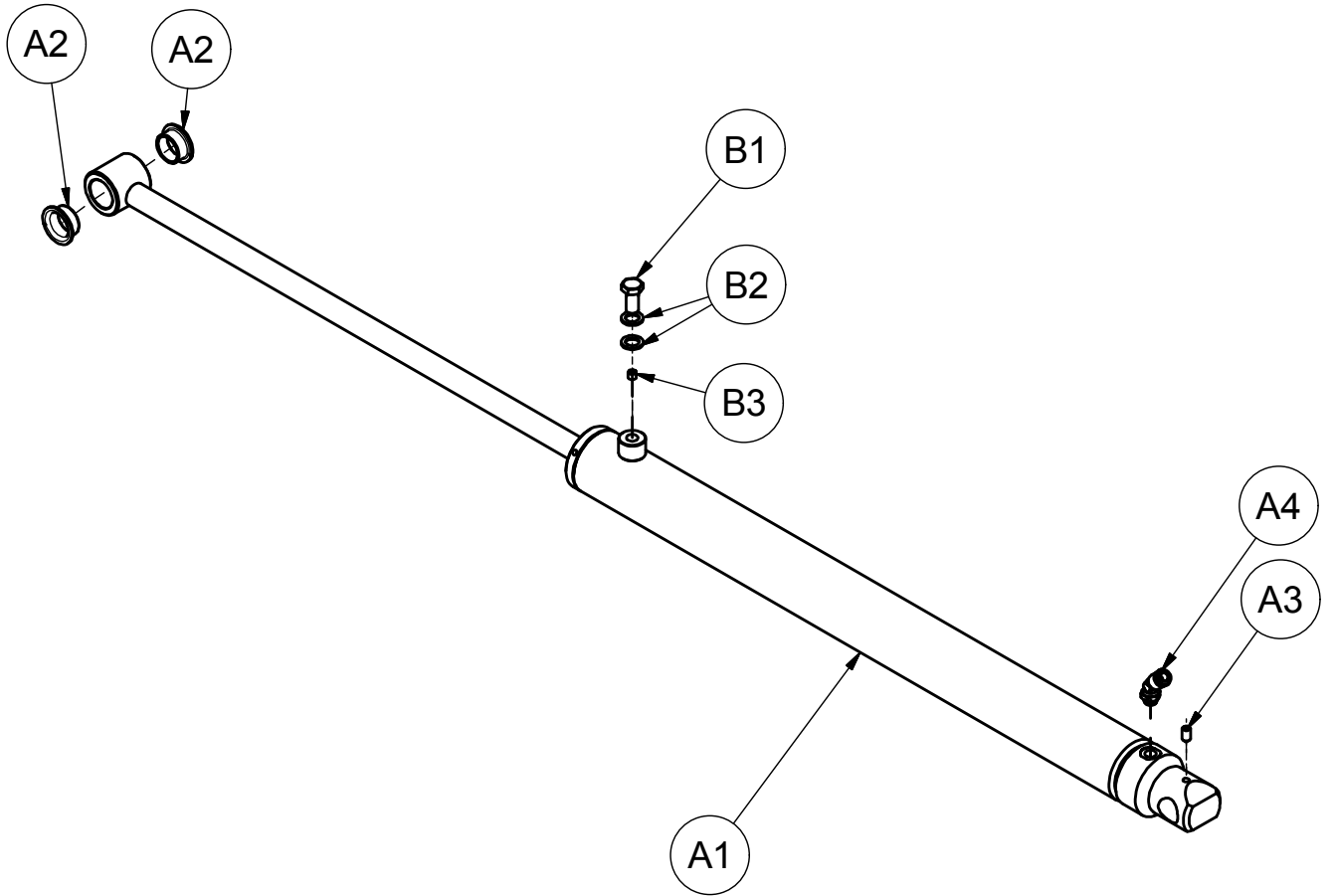
KIT2547 : SENSITIVE THRESHOLD KIT				FP 80 MODEL	
Pos.	Q.tà	Code	Descrizione	Description	NOTE
C1	1	ASM1550	SAFETY BRIDGE	EXTRUSION	
C2	Mt.1,1	NAS0010	PATTINO	SLIDE	
C3	Mt.0,8	PRF0472	PROFILO IN GOMMA	RUBBER PROFILE	
C4	4	RTO0044	SAFETY-GRIP	SAFETY	
C5	4	BLO0097	BLOCCHETTO	SPACER	
C6	8	#551480	VITE TSPEI M4x16	BOLT TSPEI M4X16	
C7	4	PER0356	PERNO	PIN	
C8	not included				



KIT2062 : LIFTING CYLINDER KIT					
Pos.	Q.tà	Code	Descrizione	Description	NOTE
A1	1	CIL0078	CILINDRO	CYLINDER	
A2	2	BOC0023	BOCCOLA	BUSH	
A3	1	VIT0172	GRANO M6	GRUB M6X12	
A4	1	RAC0045	RACCORDO	FITTING	

KIT2065 : FITTINGS OF CYLINDER KIT					
Pos.	Q.tà	Code	Descrizione	Description	NOTE
B1	2	RAC0041	RACCORDO 1/8	1/8 FITTING	
B2	4	#550200	RONDELLA	WASHER	
B3	2	VIT0169	GRANO STROZZATORE	THROTTLE GRUB M6	

KIT2068 : SEALS KIT					
Pos.	Q.tà	Code	Descrizione	Description	NOTE
A1	1	KIT0327	GUARNIZIONI	SEALS KIT	



KIT2070 : ELECTROMAGNET KIT					
Pos.	Q.tà	Code	Descrizione	Description	NOTE
A1	1	FOR0005	FORCELLA	FORK	
A2	1	CAB0197	ELETTROMAGNETE	ELECTROMAGNET	
A3	1	PER0362	PERNO	PIN OF FORK	
A4	1	VIT0205	COPIGLIA	BLOCK	
A5	1	DAD0005	DADO M3	NUT M3	
A6	1	DAD0041	DADO M5	NUT M5	

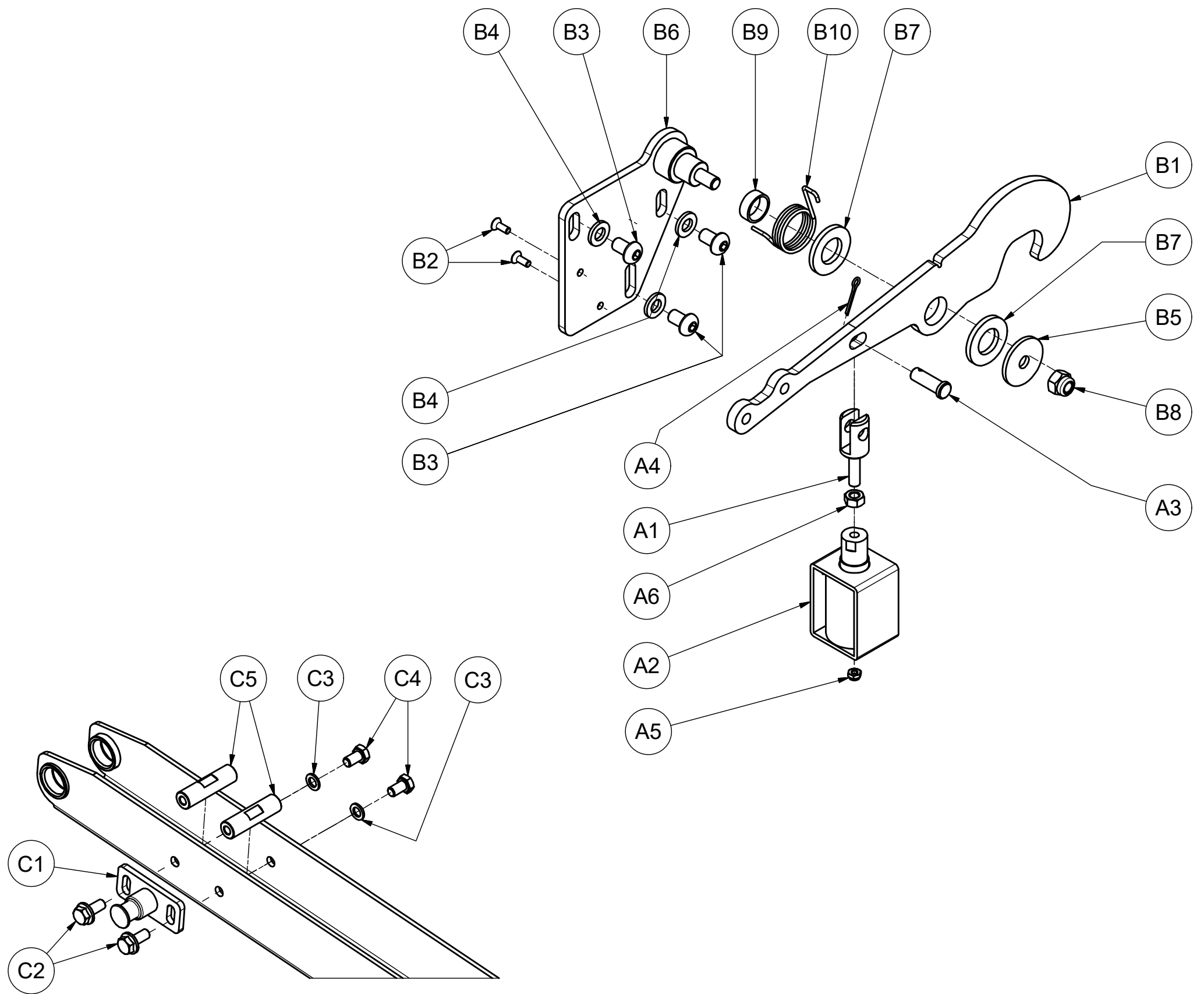
KIT2075 : SAFETY HOOK (LEFT SIDE)					
Pos.	Q.tà	Code	Descrizione	Description	NOTE
B1	1	LAS2188	GANCIO	BLOCK	
B2	2	VIT0077	Vite TSPEI M3 x 5	SCREW TSPEI M3X5	
B3	3	#501878	Vite TBEI M6X10	SCREW TBEI M6X10	
B4	3	RON0002	RONDELLA Ø6	WASHER Ø6	
B5	1	RON0034	RONDELLA Ø6	WASHER Ø6	
B6	1	ASM1591	SUPPORTO	SUPPORT BLOCK	
B7	2	RON0039	RONDELLA Ø12	WASHER Ø12	
B8	1	DAD0032	Dado M6	NUT M6	
B9	1	BOC0299	BOCCOLA	BUSH	
B10	1	MOL0072	Molla	SPRING	

KIT2076 : SAFETY HOOK (RIGHT SIDE)					
Pos.	Q.tà	Code	Descrizione	Description	NOTE
<i>B1-B5 SAME CODES OF KIT2075</i>					
B6	1	ASM1592	SUPPORTO	SUPPORT BLOCK	
<i>B7-B9 SAME CODES OF KIT2075</i>					
B10	1	MOL0073	Molla	SPRING	

KIT2080 : PIN FOR SAFETY HOOK					
Pos.	Q.tà	Code	Descrizione	Description	NOTE
C1	1	ASM1590	PERNO	PIN	
C2	2	VIT0210	VITE TE F M8x18	SCREW TE M8X18	
C3	2	RON0001	RONDELLA Ø8	WASHER Ø8	
C4	2	VIT0143	VITE TBEI M8x16	SCREW TBEI M8X16	
C5	2	PER2023	PERNO DISTANZIALE	SPACER PIN	

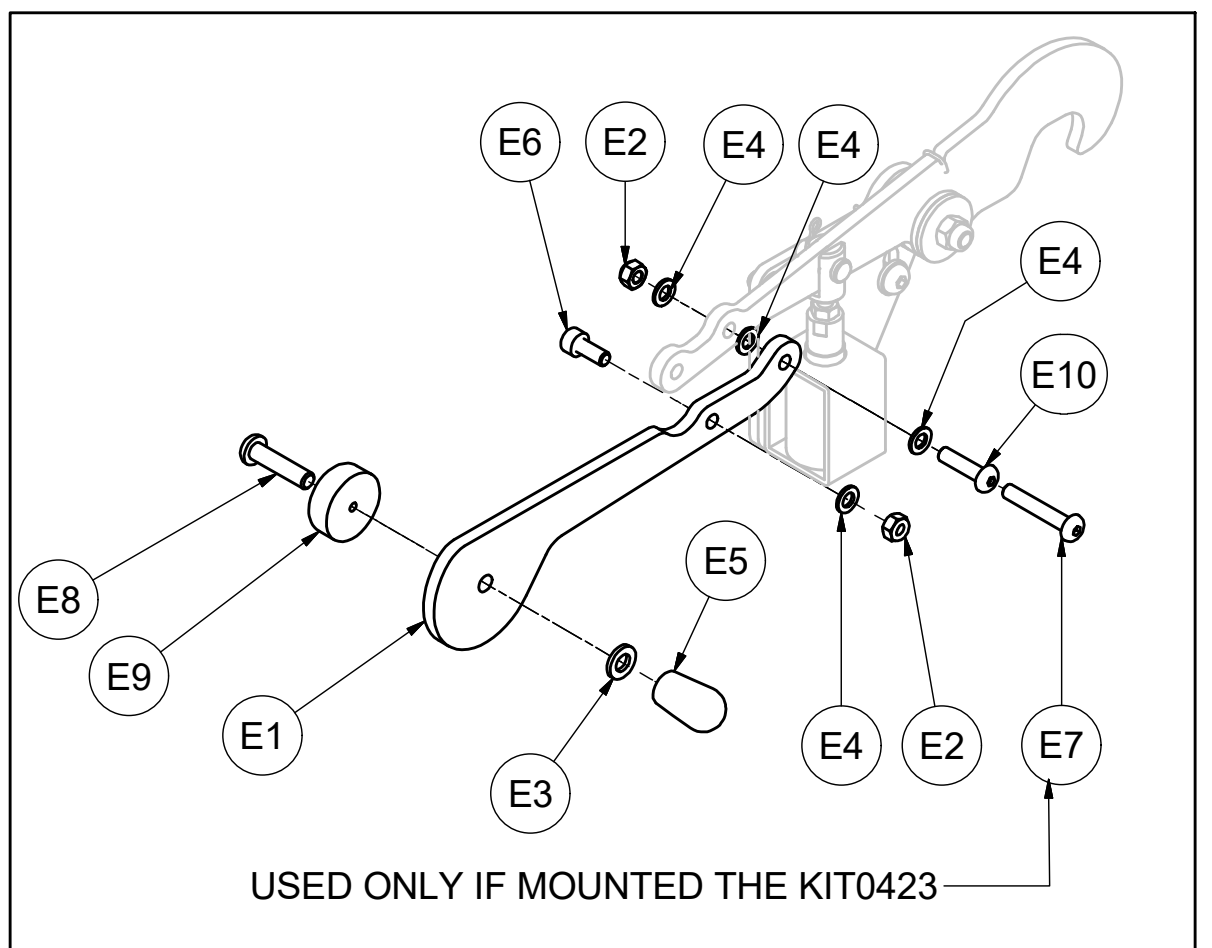
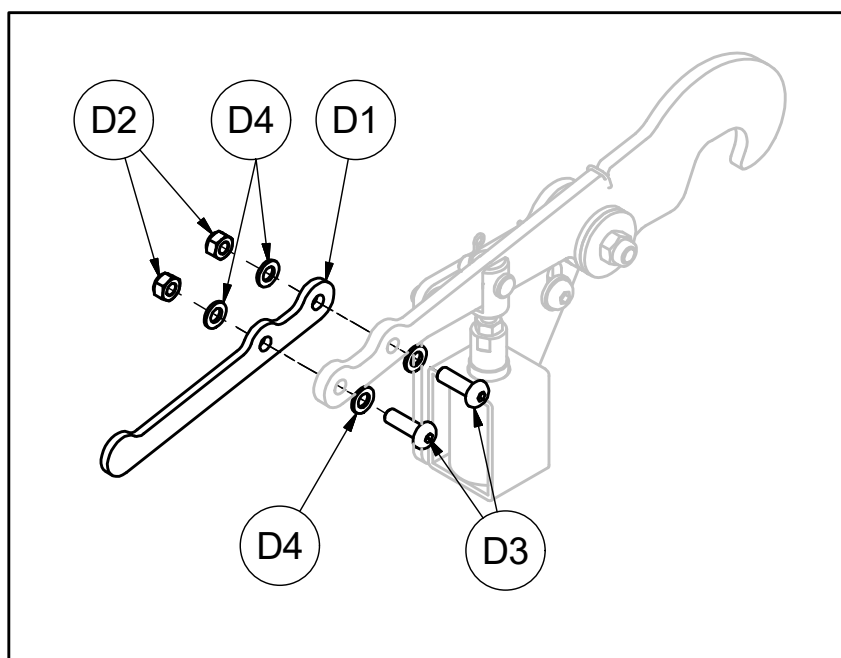
KIT0423 : ALSO INCLUDED IN THE DOOR OPEN KIT					
Pos.	Q.tà	Code	Descrizione	Description	NOTE
D1	1	LAS2189	PROLUNGA GANCIO	EXTENSION BLOCK	
D2	2	DAD0025	DADO M5	NUT M5	
D3	2	VIT0197	VITE TBEI M5X16	SCREW TBEI M5X16	
D4	4	RON0031	RONDELLA Ø5	WASHER Ø5	

SWINGING KIT :					
KIT0424 FOR SAFETY HOOK MOUNTED ON LEFT LIFT OR					
KIT0432 FOR SAFETY HOOK MOUNTED ON LRIGHT LIFT					
Pos.	Q.tà	Code	Descrizione	Description	NOTE
E1	1	LAS2325	PROLUNGA BASCULA	SWINGING BLOCK	
E2	2	DAD0025	DADO M5	NUT M5	
E3	2	RON0002	RONDELLA Ø6	WASHER Ø6	
E4	4	RON0031	RONDELLA Ø5	WASHER Ø5	
E5	1	#502382	POMELLO ABS	ABS KNOB	
E6	1	VIT0207	VITE TCEI M5X12	SCREW TCEI M5X12	
E7	1	VIT0146	VITE TBEI M5X30	SCREW TBEI M5X30	
E8	2	VIT0173	VITE TBEI M6X25	SCREW TBEI M6X25	
E9	1	550887	TAMPONE	RUBBER	
E10	1	VIT0232	VITE TBEI M5x20	SCREW TBEI M5X20	



KIT0424 ON SAFETY HOOK LEFT
 KIT0432 ON SAFETY HOOK RIGHT

KIT0423



OUTER ARM FRAME - LEFT SIDE					FP 84 - 80 MODEL
Pos.	Q.tà	Code	Descrizione	Description	NOTE
A1	1	ASM1548	BRACCIO VERTICALE	VERTICAL ARM	LEFT
A2	4	BOC0016	BOCCOLA	BUSH	

KIT2085 : FROG LIGHT KIT					
Pos.	Q.tà	Code	Descrizione	Description	NOTE
B1	1	COP0081	CARTER DX	RIGHT COVER	
B2	2	CAB0172	FARO LED	FROG LIGHT	
B3	1	COP0082	CARTER SX	LEFT COVER	
B4	4	VIT0185	VITE TBEI M5X8	SCREW TBEI M5X8	

KIT2091 : PIVOT PINS KIT					
Pos.	Q.tà	Code	Descrizione	Description	NOTE
C1	6	PER0015	PERNO Ø20	PIN Ø20	
C2	16	RON0030	RONDELLA Ø8	WASHER Ø8	
C3	16	#500426	VITE TE M8x14	SCREW TE M8X14	
C4	2	#502159	VITE SPEI M8X16	SCREW TSPEI M8X16	
C5	2	RON0057	RONDELLA SVASATA	WASHER Ø8	
C6	2	PER0313	PERNO Ø15	PIN Ø15	

KIT2097 : ARMS PANEL					
Pos.	Q.tà	Code	Descrizione	Description	NOTE
D1	2	PAN0060	PANNELLO SX	LEFT PANEL	
D2	2	PAN0059	PANNELLO DX	RIGHT PANEL	
D3	20	VIT0185	VITE TBEI M5x8	SCREW TBEI M5X8	

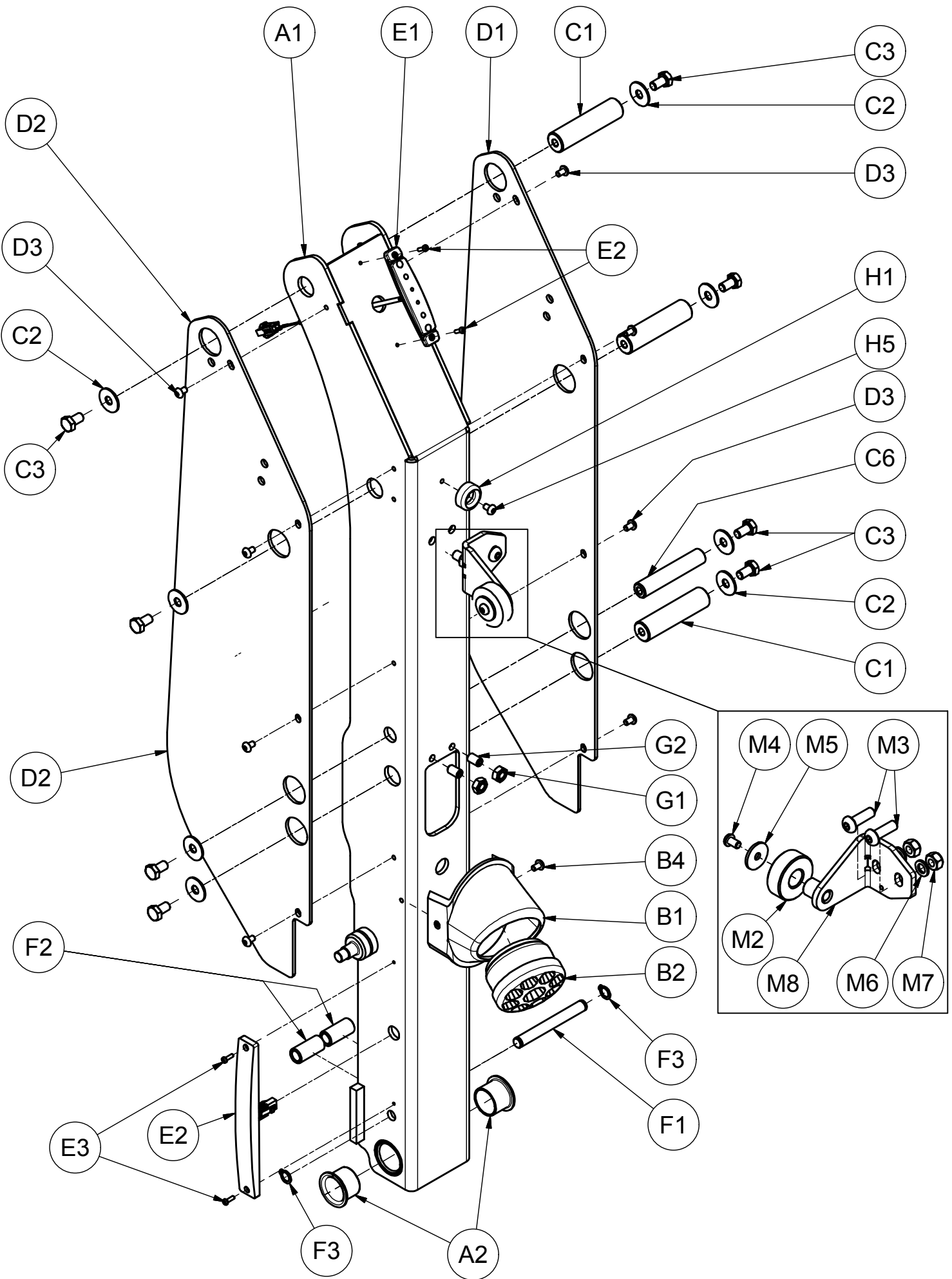
KIT2100 : STRIP LEDS LIGHT					
Pos.	Q.tà	Code	Descrizione	Description	NOTE
E1	2	CAB0077	LUCE	SQUARE LIGHT	
E2	2	CAB0184	LED	LED LIGHT	
E3	8	VIT0056	VITE TBTC M3x10	SCREW TBTC M3X10	

KIT2106 : GAS SPRINT PINS AND SPACER KIT					
Pos.	Q.tà	Code	Descrizione	Description	NOTE
F1	4	PER0020	PERNO MOLLA	SPRING PIN	
F2	8	RUO0100	RUOTA DISTANZIALE	SPACER WHEEL	
F3	8	501382	SEEGER	CIRCLIP	

KIT2110 : PLATFORM AND HANDRAILS BUFFERS KIT					
Pos.	Q.tà	Code	Descrizione	Description	NOTE
G1	4	DAD0035	DADO M8	NUT M8	
G2	4	DAD0040	GRANO M8X14 PP	GRUB M8	

KIT2116 : BUFFER KIT					
Pos.	Q.tà	Code	Descrizione	Description	NOTE
H1	2	#550887	TAMPONE	ROUND BUFFER	
H5	2	VIT0185	VITE TBEI M5X8	SCREW TBEI M5X8	

KIT2562 : END RUN KIT (LEFT)					
Pos.	Q.tà	Code	Descrizione	Description	NOTE
M1	1	ASM1247	FINE CORSA	END RUN	LEFT
M2	1	RUO0011	RUOTA	WHEEL	
M3	2	#502880	VITE TBEI M8X25	SCREW TBEI M8X25	
M4	1	#501878	VITE TBEI M6X10	SCREW TBEI M6X10	
M5	1	RON0034	RONDELLA LARGA	LARGE WASHER	
M6	2	RON0001	RONDELLA	WASHER	
M7	2	DAD0034	DADO	NUT	



OUTER ARM FRAME - RIGHT SIDE					FP 84 - 80 MODEL
Pos.	Q.tà	Code	Descrizione	Description	NOTE
A1	1	ASM1549	BRACCIO VERTICALE	VERTICAL ARM	RIGHT
A2	4	BOC0016	BOCCOLA	BUSH	

KIT2085 : FROG LIGHT KIT					
Pos.	Q.tà	Code	Descrizione	Description	NOTE
B1	1	COP0081	CARTER DX	RIGHT COVER	
B2	2	CAB0172	FARO LED	FROG LIGHT	
B3	1	COP0082	CARTER SX	LEFT COVER	
B4	4	VIT0185	VITE TBEI M5X8	SCREW TBEI M5X8	

KIT2091 : PIVOT PINS KIT					
Pos.	Q.tà	Code	Descrizione	Description	NOTE
C1	6	PER0015	PERNO Ø20	PIN Ø20	
C2	16	RON0030	RONDELLA Ø8	WASHER Ø8	
C3	16	#500426	VITE TE M8x14	SCREW TE M8X14	
C4	2	#502159	VITE SPEI M8X16	SCREW TSPEI M8X16	
C5	2	RON0057	RONDELLA SVASATA	WASHER Ø8	
C6	2	PER0313	PERNO Ø15	PIN Ø15	

KIT2097 : ARMS PANEL					
Pos.	Q.tà	Code	Descrizione	Description	NOTE
D1	2	PAN0060	PANNELLO SX	LEFT PANEL	
D2	2	PAN0059	PANNELLO DX	RIGHT PANEL	
D3	20	VIT0185	VITE TBEI M5x8	SCREW TBEI M5X8	

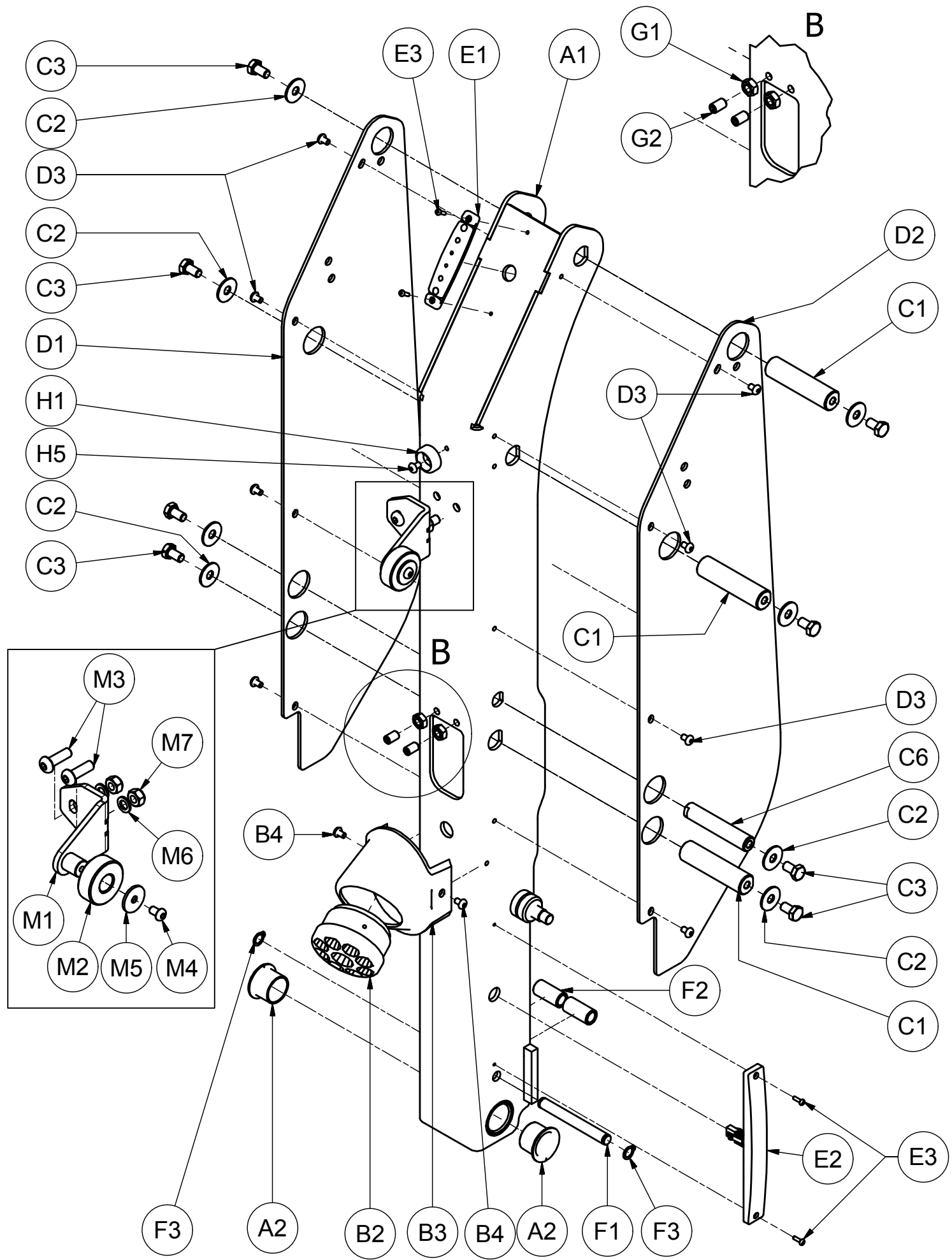
KIT2100 : STRIP LEDS LIGHT					
Pos.	Q.tà	Code	Descrizione	Description	NOTE
E1	2	CAB0077	LUCE	SQUARE LIGHT	
E2	2	CAB0184	LED	LED LIGHT	
E3	8	VIT0056	VITE TBTC M3x10	SCREW TBTC M3X10	

KIT2106 : HANDRAIL ADJUSTER BOLTS					
Pos.	Q.tà	Code	Descrizione	Description	NOTE
F1	4	PER0020	PERNO MOLLA	SPRING PIN	
F2	8	RUO0100	RUOTA DISTANZIALE	SPACER WHEEL	
F3	8	501382	SEGER	CIRCLIP	

KIT2110 : PLATFORM AND HANDRAILS BUFFERS KIT					
Pos.	Q.tà	Code	Descrizione	Description	NOTE
G1	4	DAD0035	DADO M8	NUT M8	
G2	4	DAD0040	GRANO M8X14 PP	GRUB M8	

KIT2116 : BUFFER KIT					
Pos.	Q.tà	Code	Descrizione	Description	NOTE
H1	2	#550887	TAMPONE	ROUND BUFFER	
H5	2	VIT0185	VITE TBEI M5X8	SCREW TBEI M5X8	

KIT2563 : END RUN KIT (RIGHT)					
Pos.	Q.tà	Code	Descrizione	Description	NOTE
M8	1	ASM1248	FINE CORSA	END RUN	RIGHT
M2	1	RUO0011	RUOTA	WHEEL	
M3	2	#502880	VITE TBEI M8X25	SCREW TBEI M8X25	
M4	1	#501878	VITE TBEI M6X10	SCREW TBEI M6X10	
M5	1	RON0034	RONDELLA	WASHER	
M6	2	RON0001	RONDELLA	WASHER	
M7	2	DAD0034	DADO	NUT	



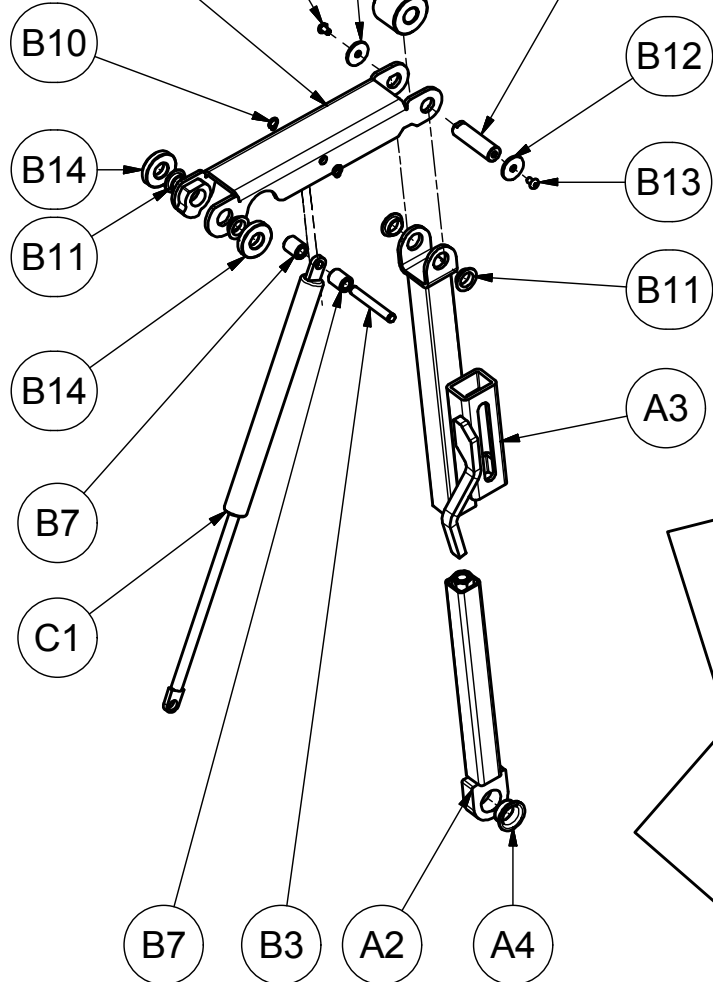
KIT2571 : TELESCOPIC KIT LEFT					
Pos.	Q.tà	Code	Descrizione	Description	NOTE
A2	1	ASM1170	STELO GINOCC.	KNEE ASSEMBLY	
A3	1	ASM1540	CAMICIA SX	TELESCOPIC PIPE	
A4	1	BOC0237	BOCCOLA	BUSH	
A5	2	BOC0263	BOCCOLA	BUSH	

KIT2576 : TELESCOPIC KIT RIGHT					
Pos.	Q.tà	Code	Descrizione	Description	NOTE
A1	1	ASM1547	CAMICIA DX	TELESCOPIC PIPE	
A2	1	ASM1170	STELO GINOCC.	KNEE ASSEMBLY	
A4	1	BOC0237	BOCCOLA	BUSH	
A5	2	BOC0263	BOCCOLA	BUSH	

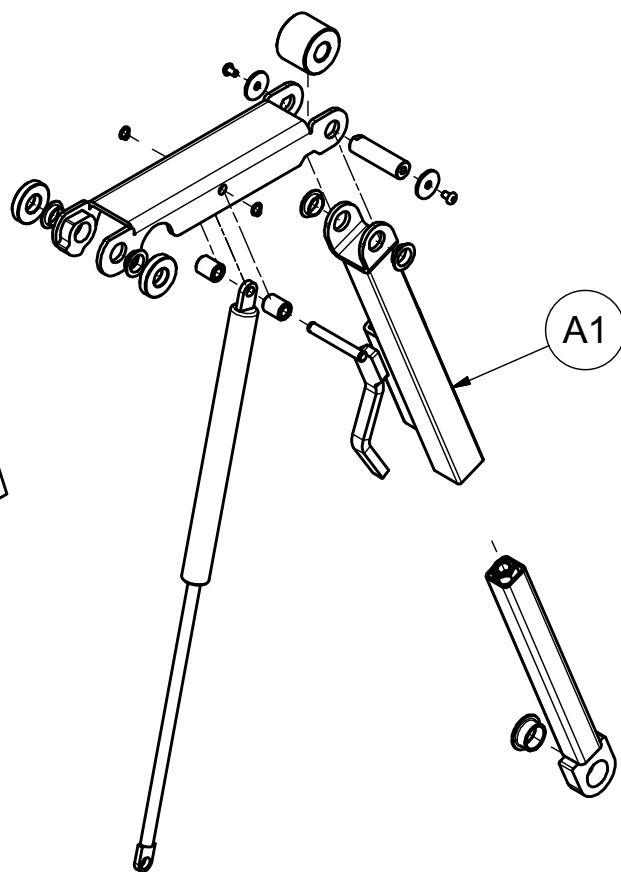
KIT2581 : ROTATIONAL STOWAGE ARM KIT					
Pos.	Q.tà	Code	Descrizione	Description	NOTE
B1	1	ASM1546	GINOCCHIERA	KNEE ASSEMBLY	
B2	1	RUO0004	RUOTA GINOCC.	WHEEL	
B3	1	PER0312	PERNO MOLLA	SPRING PIN	
B4	1		NOT INCLUDED FOR THIS MODEL		
B7	2	RUO0090	RUOTA DISTANZIALE	SPACER WHEEL	
B10	2	RON0050	SEEGER	CIRCLIP	
B11	2	BOC0263	BOCCOLA	BUSH	
B12	2		NOT INCLUDED FOR THIS MODEL		
B13	2		NOT INCLUDED FOR THIS MODEL		
B14	2	RUO0083	DISTANZIALE	SPACER WHEEL	

Pos.	Q.tà	Code	Descrizione	Description	NOTE
C1	1	MOL0013	MOLLA GAS	GAS SPRING	

B1 B13 B12 B2 B4 LEFT SIDE

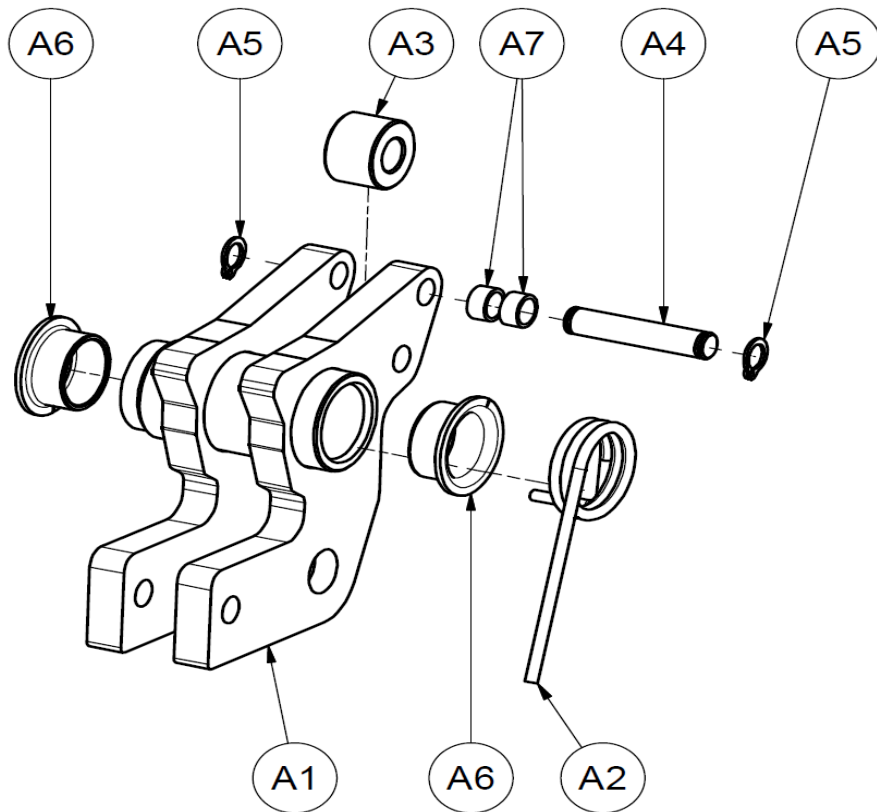


RIGHT SIDE



NOTE:
THE PARTS NOT MARKED ARE THE SAME BETWEEN LEFT SIDE AND RIGHT SIDE

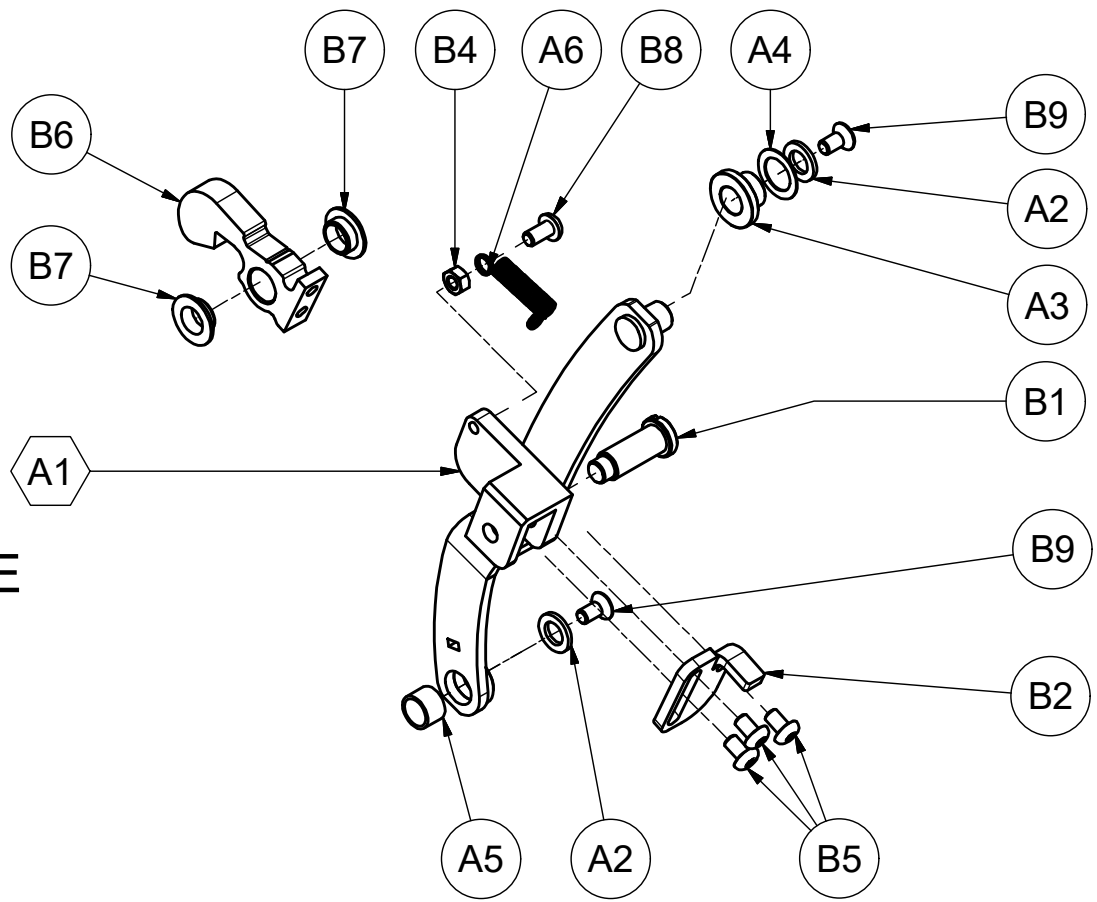
KIT2143 : KNUCKLE JOINTS HANDRAILS KIT					
Pos.	Q.tà	Code	Descrizione	Description	NOTE
A1	2	ASM1525	SUPPORTO MANIGLIONE	HANDRAIL SUPPORT	
A2	2	MOL0077	MOLLA	SPRING	
A3	2	RUO0021	RUOTA	SPACER WHEEL	
A4	2	PER0364	PERNO MOLLA	SPRING PIN	
A5	4	RON0050	SEEGER	CIRCLIP	
A6	4	BOC0023	BOCCOLA	BUSH	
A7	2	#551095	BOCCOLA	BUSH	



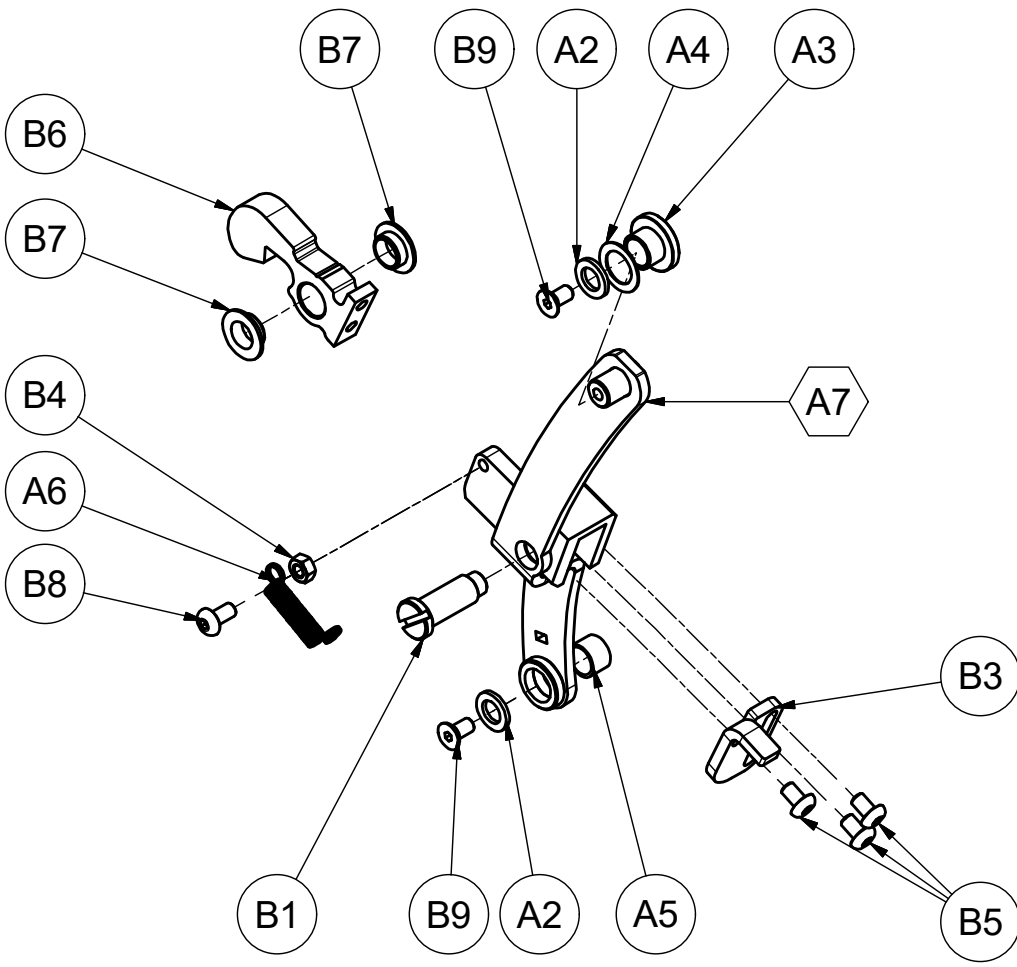
KIT2586 : INNER BARRIER LINKAGE KIT RIGHT					
Pos.	Q.tà	Code	Descrizione	Description	NOTE
A1	1	ASM1539	BIELLA DX	RIGHT ROD	
A2	4	RON0001	RONDELLA F.L.	LARGE WASHER	
A3	2	BOC0270	BOCCOLA	BUSH	
A4	2	502491	RASAMENTO	WASHER	
A5	2	#502334	BOCCOLA	BUSH	
A6	2	MOL0068	MOLLA	SPRING	

KIT2587 : INNER BARRIER LINKAGE KIT LEFT					
Pos.	Q.tà	Code	Descrizione	Description	NOTE
A7	1	ASM1538	BIELLA SX	LEFT ROD	
A2	2	RON0001	RONDELLA F.L.	LARGE WASHER	
A3	1	BOC0270	BOCCOLA	BUSH	
A4	1	502491	RASAMENTO	WASHER	
A5	1	#502334	BOCCOLA	BUSH	
A6	1	MOL0068	MOLLA	SPRING	

KIT2180 : INNER BARRIER HOOK KIT					
Pos.	Q.tà	Code	Descrizione	Description	NOTE
B1	2	PER0353	PERNO	PIN	
B2	1	LAS2002	GANCIO DX	BLOCK RIGHT	
B3	1	LAS2003	GANCIO SX	BLOCK LEFT	
B4	2	DAD0041	DADO M5	NUT M5	
B5	6	VIT0185	VITE TBEI M5x8	SCREW TBEI M5X8	
B6	2	LAS2004	GANCIO	LOCK HOOK	
B7	4	BOC0035	BOCCOLA	BUSH	
B8	2	VIT0147	VITE TBEI M5X12	SCREW TBEI M5X12	
B9	4	#502146	VITE TSEI M5x10	SCREW TSEI M5X10	



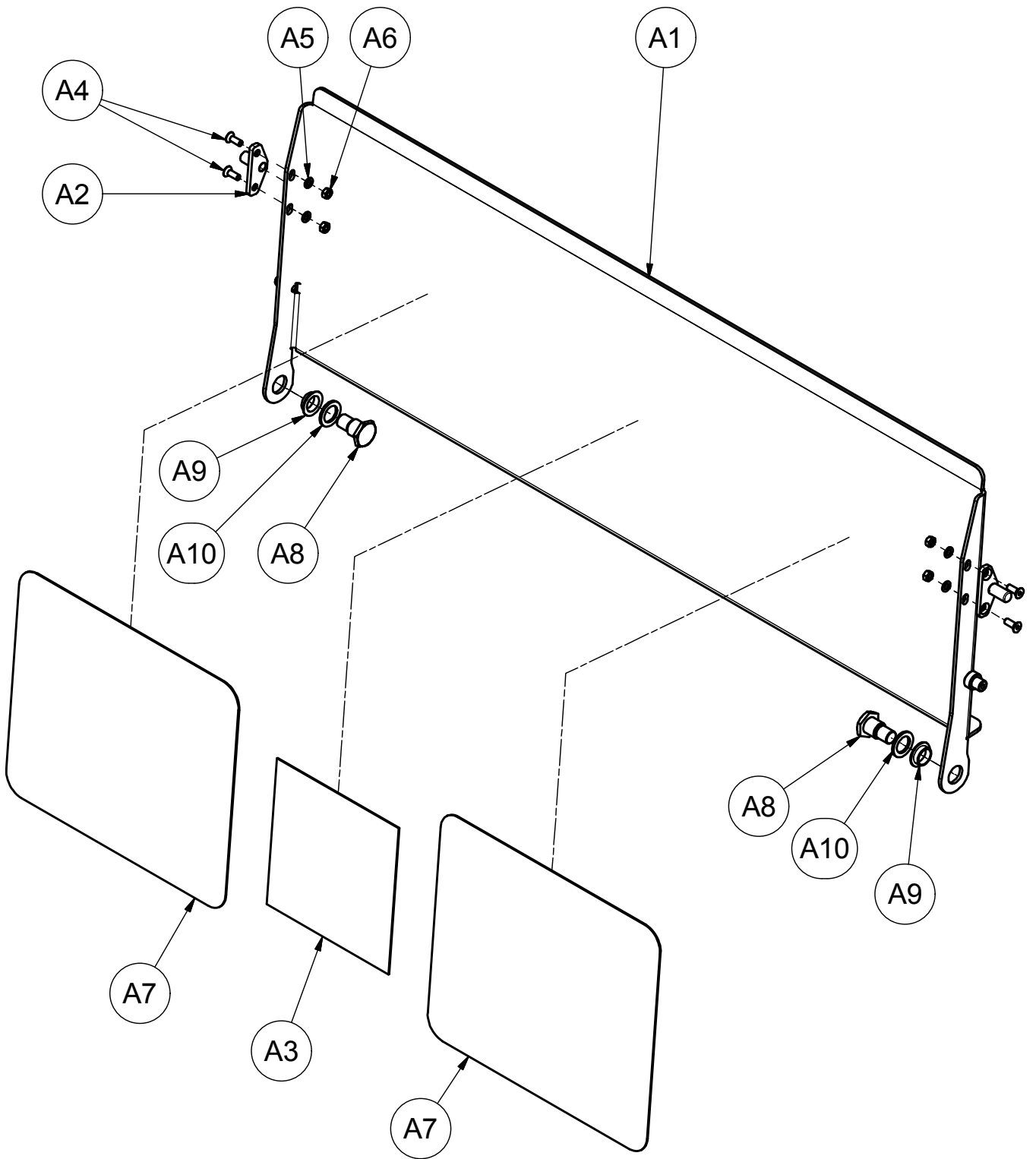
RIGHT SIDE



LEFT SIDE

KIT2596 : INNER BARRIER KIT					FP 84 MODEL
Pos.	Q.tà	Code	Descrizione	Description	NOTE
A1	1	ASM1745	RIBALTA INTERNA	INTERNAL FLAP	
A2	2	ASM1733	PERNO BLOCCO	PIN	
A3	1	#E499107	ADESIVO	ADVISER STICKER	
A4	4	#551699	VITE TSPEI M5x14	SCREW TSPEI M5X14	
A5	4	RON0031	RONDELLA Ø5	WASHER Ø5	
A6	4	DAD0025	DADO M5	NUT M5	
A7	2	RTO0032	SAFETY-GRIP	SAFETY GRIP	
A8	2	PER0306	PERNO M12	PIN M12	
A9	2	BOC0263	BOCCOLA	BUSH	
A10	2	RON0040	RONDELLA Ø16	WASHER Ø16	

KIT2598 : INNER BARRIER KIT					FP 80 MODEL
Pos.	Q.tà	Code	Descrizione	Description	NOTE
A1	1	ASM1544	RIBALTA INTERNA	INTERNAL FLAP	
A2	2	ASM1733	PERNO BLOCCO	PIN	
A3	1	#E499107	ADESIVO	ADVISER STICKER	
A4	4	#551699	VITE TSPEI M5x14	SCREW TSPEI M5X14	
A5	4	RON0031	RONDELLA Ø5	WASHER Ø5	
A6	4	DAD0025	DADO M5	NUT M5	
A7	2	RTO0032	SAFETY-GRIP	SAFETY GRIP	
A8	2	PER0306	PERNO M12	PIN M12	
A9	2	BOC0263	BOCCOLA	BUSH	
A10	2	RON0040	RONDELLA Ø16	WASHER Ø16	



KIT2601 : PLATFORM FIXING KIT					
Pos.	Q.tà	Code	Descrizione	Description	NOTE
A1	2	C402013	RASAMENTO	WASHER	
A2	2	501392	SEEGER	CIRCLIP	
A3	2	501387	SEEGER	CIRCLIP	
A4	2	RUO0089	RUOTA	WHEEL	
A5	6	RON0006	RASAMENTO	WASHER	
A6	2	RON0044	RONDELLA	WASHER	
A7	2	502160	VITE TSPEI M8x30	SCREW TSPEI M8X30	
A8	2	TAP0006	TAPPO ANTIVIBR.	SPACER	
A9	2	VIT0070	GRANO	GRUB SCREW	

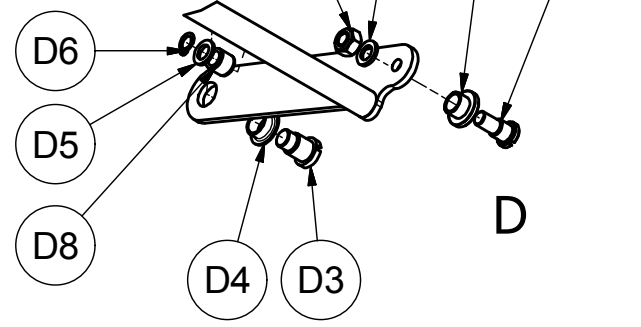
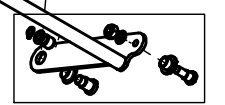
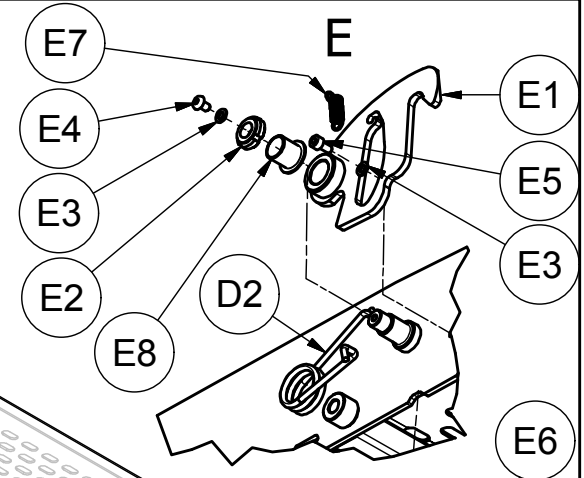
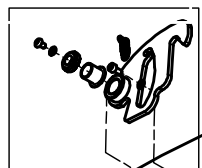
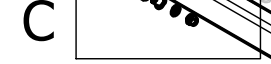
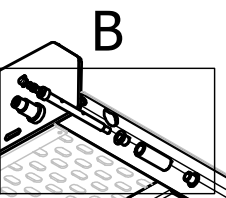
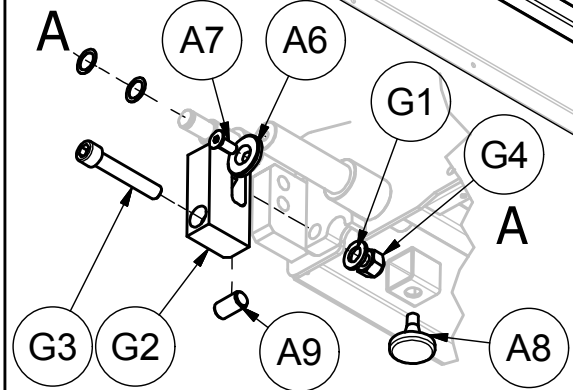
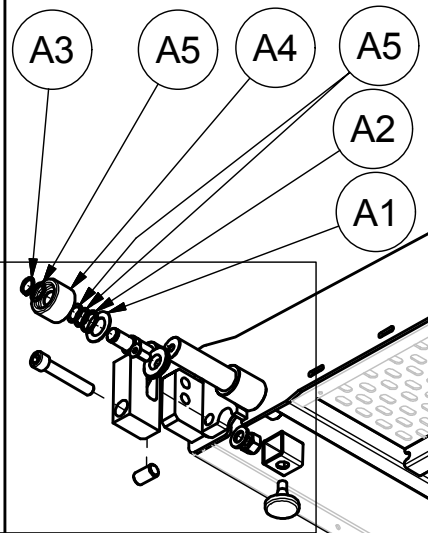
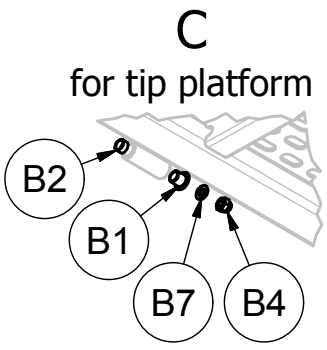
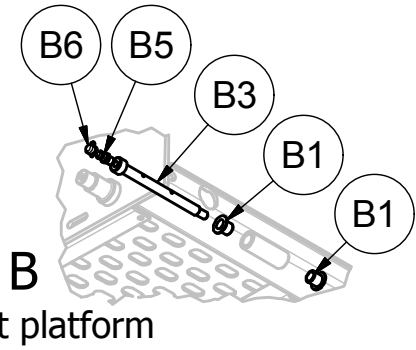
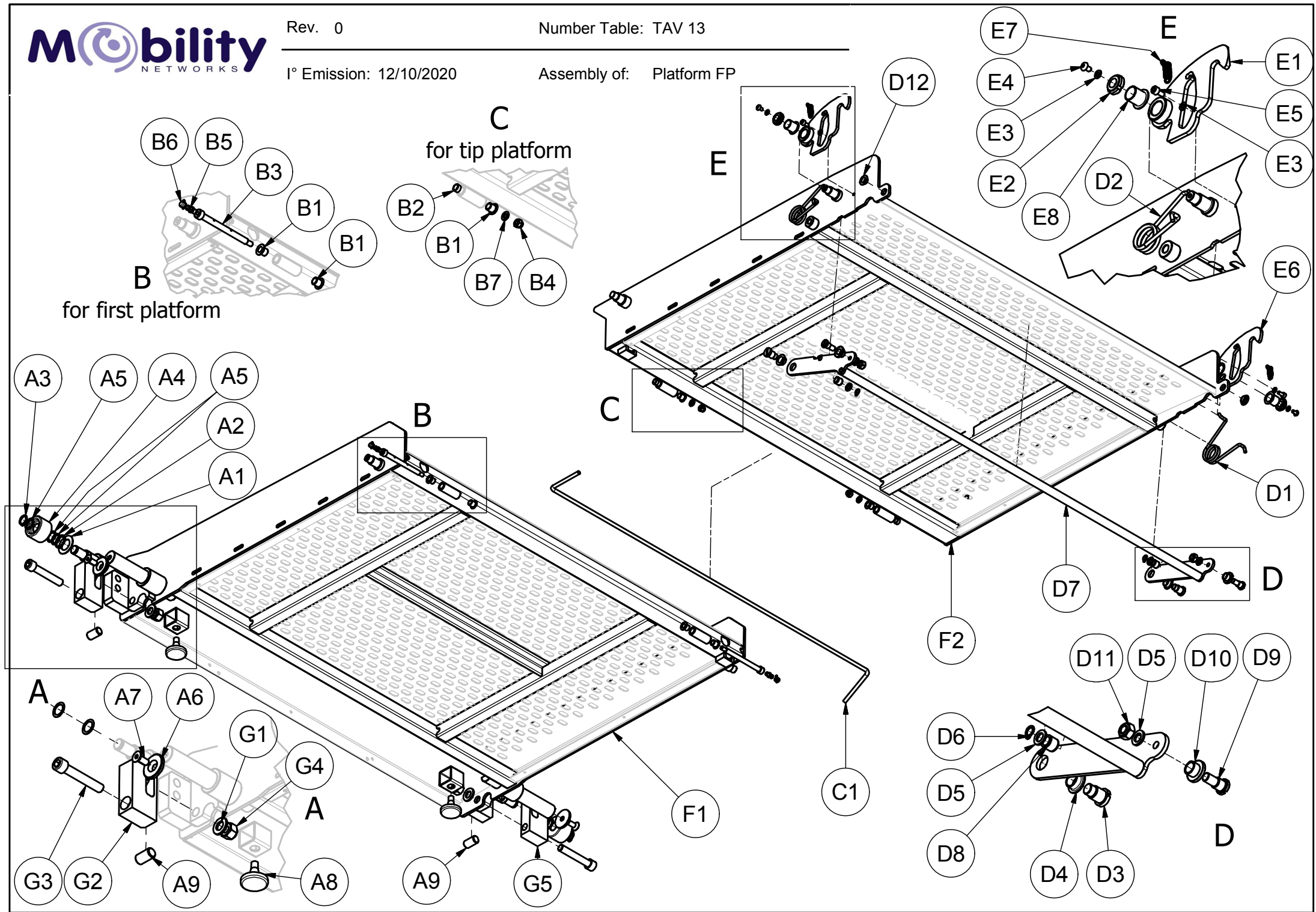
KIT2602 : UNDER PLATFORM FIXING KIT					
Pos.	Q.tà	Code	Descrizione	Description	NOTE
B1	6	BOC0265	BOCCOLA	BUSH	
B2	2	#551755	BOCCOLA	BUSH	
B3	2	PER0310	PERNO	PIN	
B4	2	DAD0032	DADO	NUT (GREASE)	
B5	2	501455	INGRASSATORE	NUT (GREASE)	
B6	2	TAP0026	TAPPO INGRASS.	CUP FOR GREASE	
B7	2	RON0002	RONDELLA	WASHER	

KIT2603 : SPRING KIT - FP84130					
Pos.	Q.tà	Code	Descrizione	Description	NOTE
C1	1	MOL0082	BARRA TORSIONE	SPRING	

KIT2604 : SPRING KIT - FP80150					
Pos.	Q.tà	Code	Descrizione	Description	NOTE
C1	1	MOL0009	BARRA TORSIONE	SPRING	

KIT2642: SUPPORT FRONT FLAP FIXING KIT - FP84138					
Pos.	Q.tà	Code	Descrizione	Description	NOTE
D1	1	MOL0075	MOLLA SX	LEFT SPRING	
D2	1	MOL0076	MOLLA DX	RIGHT SPRING	
D3	2	C400708	PERNO	PIN	
D4	2	E502534	BOCCOLA	BUSH	
D5	4	RON0001	RONDELLA	WASHER	
D6	2	RON0050	SEEGER	SEEGER	
D7	1	ASM1749	SUPPORTO RIBALTA	SUPPORT FLAP	
D8	2	BOC0311	BOCCOLA	BUSH	
D9	2	E406065	PERNO	PIN	
D10	2	BOC0270	BOCCOLA	BUSH	
D11	2	DAD0034	DADO	NUT	
D12	2	BOC0035	BOCCOLA	BUSH	

KIT2644: SUPPORT FRONT FLAP FIXING KIT - FP80150					
Pos.	Q.tà	Code	Descrizione	Description	NOTE
D1	1	MOL0075	MOLLA SX	LEFT SPRING	
D2	1	MOL0076	MOLLA DX	RIGHT SPRING	
D3	2	C400708	PERNO	PIN	
D4	2	E502534	BOCCOLA	BUSH	
D5	4	RON0001	RONDELLA	WASHER	
D6	2	RON0050	SEEGER	SEEGER	
D7	1	ASM1755	SUPPORTO RIBALTA	SUPPORT FLAP	
D8	2	BOC0311	BOCCOLA	BUSH	
D9	2	E406065	PERNO	PIN	
D10	2	BOC0270	BOCCOLA	BUSH	
D11	2	DAD0034	DADO	NUT	
D12	2	BOC0035	BOCCOLA	BUSH	



KIT2606 : FRONT FLAP SAFETY HOOK KIT					
Pos.	Q.tà	Code	Descrizione	Description	NOTE
E1	1	ASM1537	SGANCIO SX	LEFT UNLOCK	
E2	2	RON0039	GHIERA M12X1	RING M12X1	
E3	4	RON0031	RONDELLA D.5	WASHER D.5	
E4	2	VIT0185	VITE TBEI M5X8	SCREW TBEI M5X8	
E5	2	VIT0196	VITE TCEI M5X10	SCREW TCEI M5X10	
E6	1	ASM1628	SGANCIO DX	RIGHT UNLOCK	
E7	2	MOL0080	MOLLA	SPRING	
E8	2	BOC0258	BOCCOLA	BUSH	

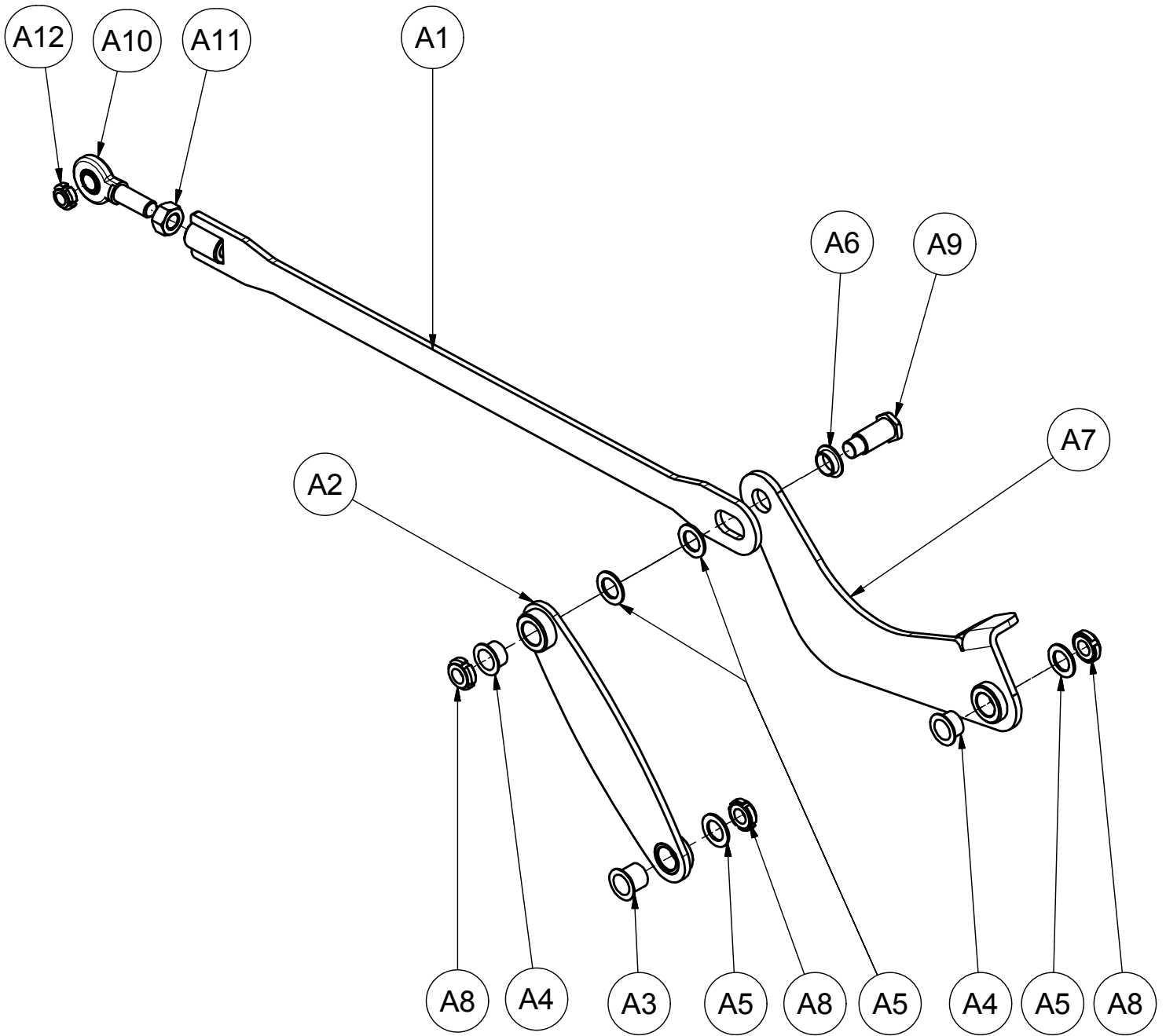
KIT2607 : PLATFORM KIT - FP84138					
Pos.	Q.tà	Code	Descrizione	Description	NOTE
F1	1	ASM1743	PEDANA BASE	PLATFORM BASE	
F2	1	ASM1744	PEDANA PUNTA	TIP PLATFORM	

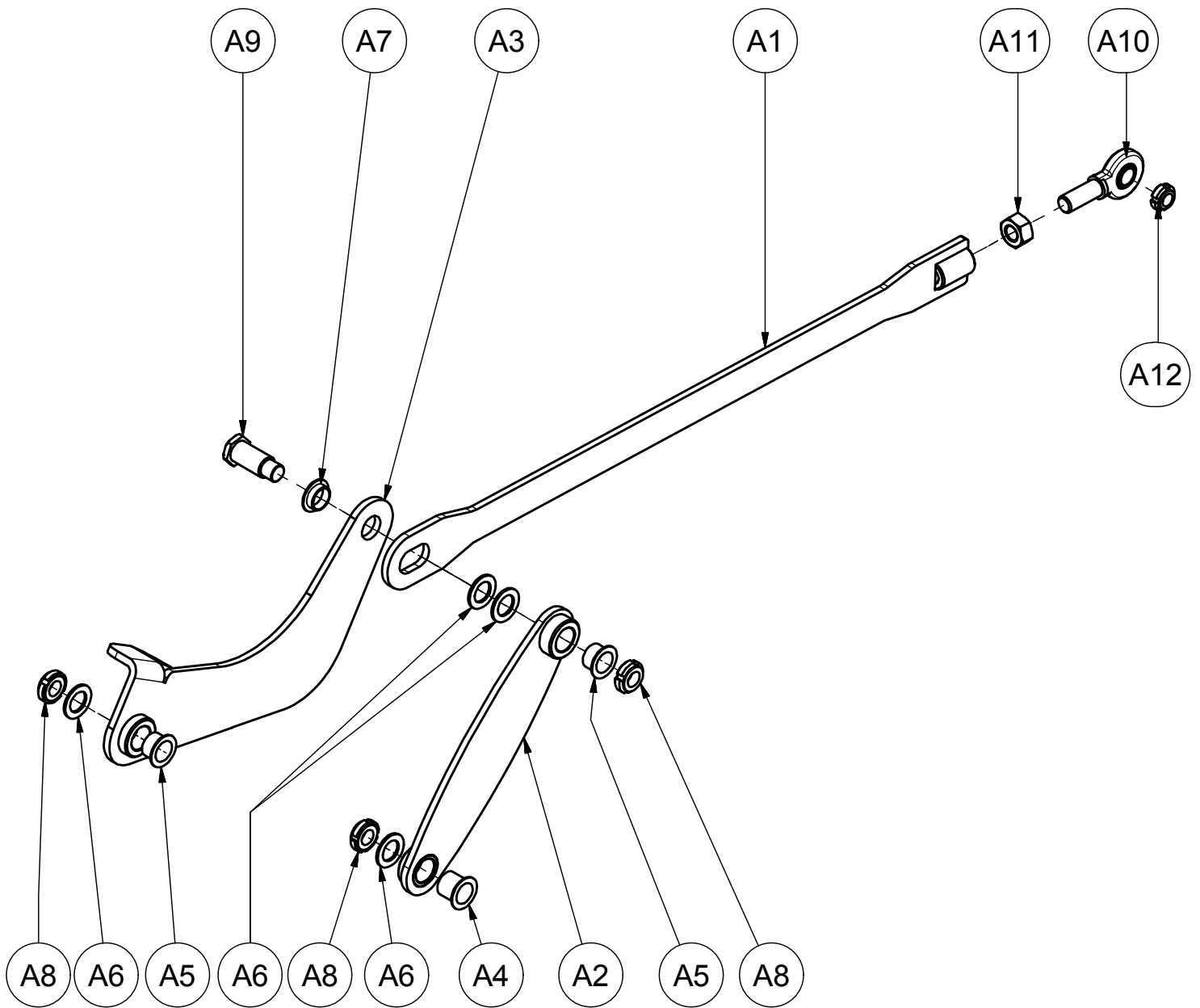
KIT2608 : PLATFORM KIT - FP80150					
Pos.	Q.tà	Code	Descrizione	Description	NOTE
F1	1	ASM1543	PEDANA BASE	PLATFORM BASE	
F2	1	ASM1754	PEDANA PUNTA	TIP PLATFORM	

KIT2611 : BLOCK OF PLATFORM FIXING KIT					
Pos.	Q.tà	Code	Descrizione	Description	NOTE
G1	4	RON0039	RONDELLA D.12	WASHER D.12	
G2	1	PIA0662	REGISTRO SX	LEFT BLOCK	
G3	2	VIT0214	VITE TCEI M12X70	SCREW TCEI M12X70	
G4	2	#501145	DADO M12	NUT M12	
G5	1	PIA0663	REGISTRO DX	RIGHT BLOCK	

KIT2620 : PLATFORM LEVER KIT (RIGHT)					FP 80 MODEL
Pos.	Q.tà	Codice	Description		
A1	1	ASM1214	ASSIEME TIRANTE	ROD	
A2	1	ASM1163	ASSIEME BIELLA	LEVER	
A3	1	BOC0258	BOCCOLA	BUSH	
A4	2	BOC0262	BOCCOLA	BUSH	
A5	2	BOC0260	BOCCOLA	BUSH	
A6	1	BOC0263	BOCCOLA	BUSH	
A7	1	ASM1166	ASSIEME BIELLA	LEVER	
A8	3	DAD0039	Ghiera M12	RING M12	
A9	1	PER0303	PERNO	PIN	
A10	1	TER0028	SNODO	ENDS	
A11	1	DAD0045	DADO	NUT	
A12	1	DAD0040	Ghiera M10	RING M10	

KIT2630 : PLATFORM LEVER KIT (RIGHT)					FP 84 MODEL
Pos.	Q.tà	Codice	Description		
A1	1	ASM1172	ASSIEME TIRANTE	ROD	
A2	1	ASM1163	ASSIEME BIELLA	LEVER	
A3	1	BOC0258	BOCCOLA	BUSH	
A4	2	BOC0262	BOCCOLA	BUSH	
A5	2	BOC0260	BOCCOLA	BUSH	
A6	1	BOC0263	BOCCOLA	BUSH	
A7	1	ASM1166	ASSIEME BIELLA	LEVER	
A8	3	DAD0039	Ghiera M12	RING M12	
A9	1	PER0303	PERNO	PIN	
A10	1	TER0028	SNODO	ENDS	
A11	1	DAD0045	DADO	NUT	
A12	1	DAD0040	Ghiera M10	RING M10	





KIT2625 : PLATFORM LEVER KIT (LEFT)					FP 80 MODEL
Pos.	Q.tà	Codice	Description		
A1	1	ASM1214	ASSIEME TIRANTE	ROD	
A2	1	ASM1163	ASSIEME BIELLA	LEVER	
A3	1	BOC0258	BOCCOLA	BUSH	
A4	2	BOC0262	BOCCOLA	BUSH	
A5	2	BOC0260	BOCCOLA	BUSH	
A6	1	BOC0263	BOCCOLA	BUSH	
A7	1	ASM1162	ASSIEME BIELLA	LEVER	
A8	3	DAD0039	Ghiera M12	RING M12	
A9	1	PER0303	PERNO	PIN	
A10	1	TER0028	SNODO	ENDS	
A11	1	DAD0045	DADO	NUT	
A12	1	DAD0040	Ghiera M10	RING M10	

KIT2635 : PLATFORM LEVER KIT (LEFT)					FP 84 MODEL
Pos.	Q.tà	Codice	Description		
A1	1	ASM1172	ASSIEME TIRANTE	ROD	
A2	1	ASM1163	ASSIEME BIELLA	LEVER	
A3	1	BOC0258	BOCCOLA	BUSH	
A4	2	BOC0262	BOCCOLA	BUSH	
A5	2	BOC0260	BOCCOLA	BUSH	
A6	1	BOC0263	BOCCOLA	BUSH	
A7	1	ASM1162	ASSIEME BIELLA	LEVER	
A8	3	DAD0039	Ghiera M12	RING M12	
A9	1	PER0303	PERNO	PIN	
A10	1	TER0028	SNODO	ENDS	
A11	1	DAD0045	DADO	NUT	
A12	1	DAD0040	Ghiera M10	RING M10	

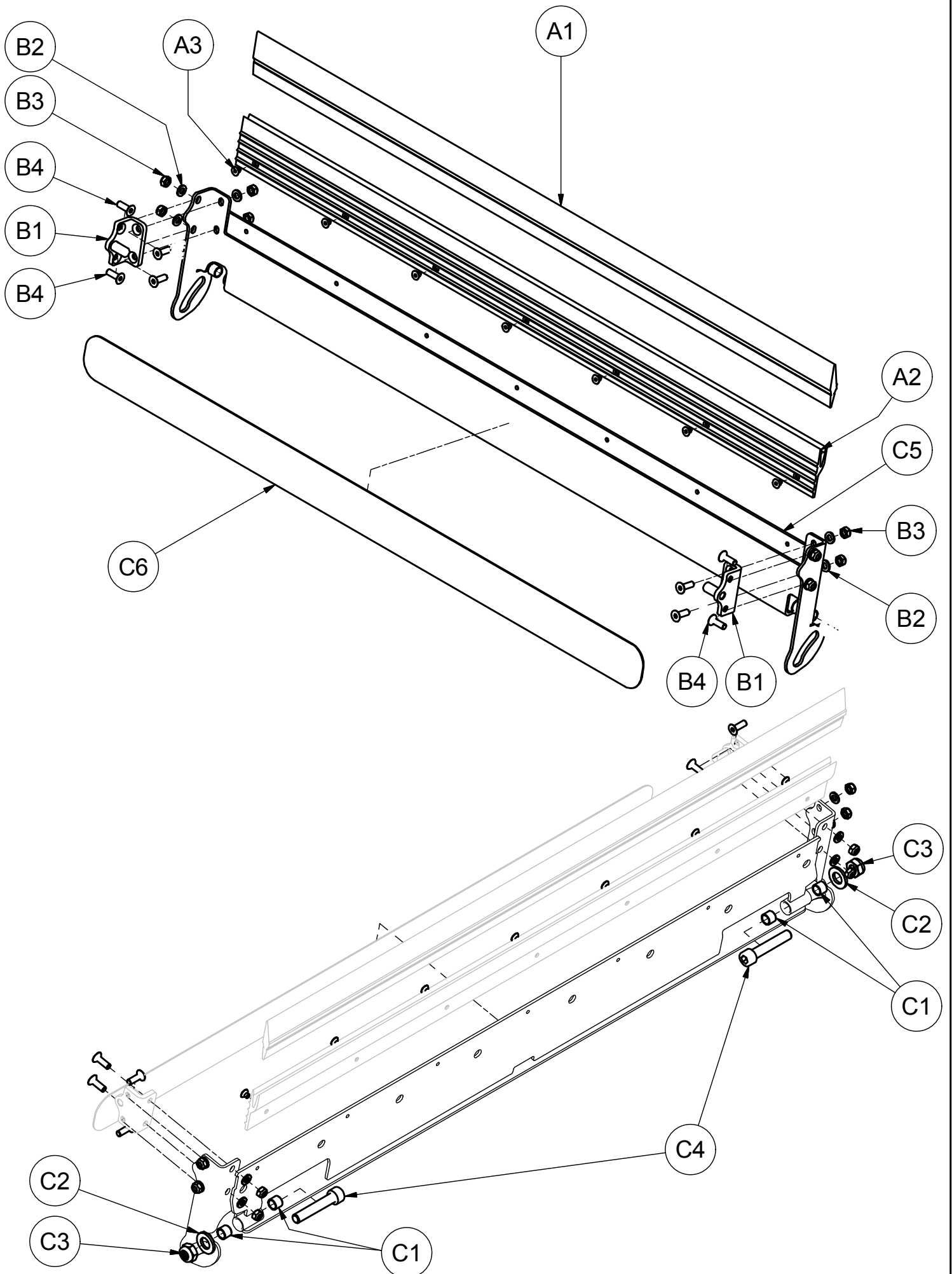
KIT2652 : FRONT FLAP ALLOY AND RUBBER PROFILE KIT					FP 84
Pos.	Q.tà	Codice	Descrizione	Description	NOTE
A1	1	PRF0483	PROFILO GOMMA	RUBBER PROFILE	
A2	1	PRF0482	RIBALTINA ESTERNA	FRONT FLAP PROFILE	
A3	7	502147	VITE TSPEI M5X6	SCREW TSPEI M5X6	

KIT2654 : FRONT FLAP ALLOY AND RUBBER PROFILE KIT					FP 80
Pos.	Q.tà	Codice	Descrizione	Description	NOTE
A1	1	PRF0468	PROFILO GOMMA	RUBBER PROFILE	
A2	1	PRF0470	RIBALTINA ESTERNA	FRONT FLAP PROFILE	
A3	7	502147	VITE TSPEI M5X6	SCREW TSPEI M5X6	

KIT2250 : FRONT FLAP LOCKING PIN KIT					
Pos.	Q.tà	Code	Descrizione	Description	NOTE
B1	2	ASM1510	PERNO BLOCCO	PIN	
B2	8	RON0002	RONDELLA Ø6	WASHER Ø6	
B3	8	DAD0022	DADO M6	NUT M6	
B4	8	VIT0219	VITE TSPEI M6x18	SCREW TSPEI M6X18	

KIT2658 : MAIN FRONT FLAP KIT					FP 84
Pos.	Q.tà	Code	Descrizione	Description	NOTE
C1	4	502537	BOCCOLA	BUSH	
C2	2	RON0039	RONDELLA D.12	WASHER Ø12	
C3	2	502470	DADO M10	NUT M10	
C4	2	VIT0187	VITE TCEI M10x55	SCREW TCEI M10X55	
C5	1	ASM1747	RIBALTA ESTERNA	FRONT FLAP	
C6	1	RTO0013	SAFETY-GRIP	SAFETY GRIP	

KIT2659 : MAIN FRONT FLAP KIT					FP 80
Pos.	Q.tà	Code	Descrizione	Description	NOTE
C1	4	502537	BOCCOLA	BUSH	
C2	2	RON0039	RONDELLA D.12	WASHER Ø12	
C3	2	502470	DADO M10	NUT M10	
C4	2	VIT0187	VITE TCEI M10x55	SCREW TCEI M10X55	
C5	1	ASM1753	RIBALTA ESTERNA	FRONT FLAP	
C6	1	RTO0013	SAFETY-GRIP	SAFETY GRIP	



KIT2665 : PRESSURE SWITCH KIT					
Pos.	Q.tà	Codice	Descrizione	Description	NOTE
A1	1	INT0041	PRESSOSTATO	PRESSUR SWITCH	
A2	1	RAC0013	RACCORDO	FITTING	
A3	1	550397	TAPPO	CUP	
A4	1	RAC0014	RACCORDO	FITTING	
A5	1	550805	RONDELLA 1/4"	WASHER 1/4	

KIT2266 : SUCTION TUBE KIT					
B1	1	FIL0005	FILTRO 3/8	FILTER	

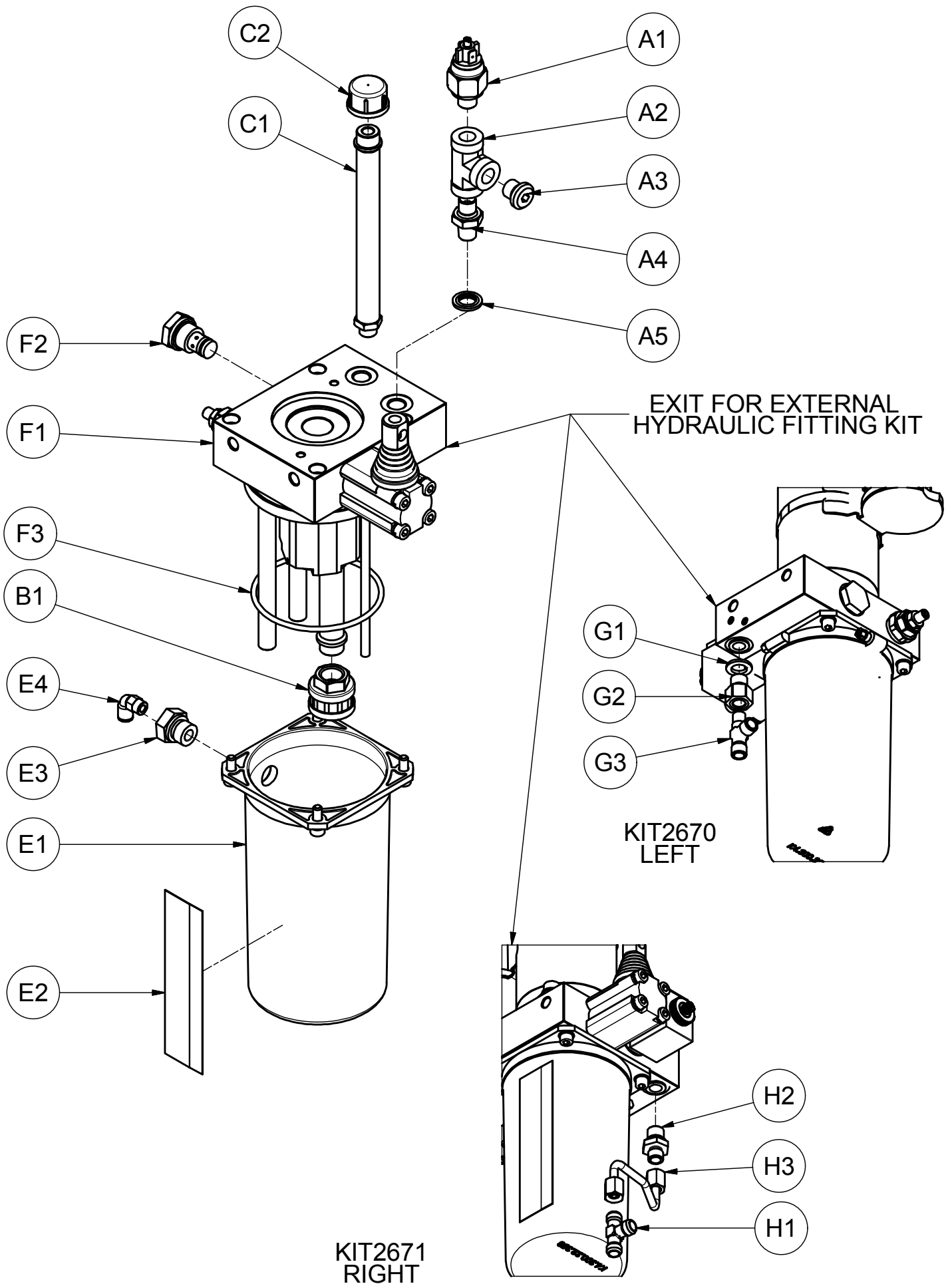
KIT2270 : OIL FILLING HOSE KIT (USE ONLY FOR LEFT VERSION)					
Pos.	Q.tà	Codice	Descrizione	Description	NOTE
C1	1	TID0287	CARICAMENTO OLIO	REFILL OIL	
C2	1	TAP0060	TAPPO	FILLER CUP	

KIT2670 : EXTERNAL HYDRAULIC FITTING KIT - LEFT					
Pos.	Q.tà	Codice	Descrizione	Description	NOTE
D1	1	550805	RONDELLA 1/4"	WASHER 1/4	
D2	1	RAC0031	RACCORDO 1/4M -1/8F	FITTING 1/4-1/8	
D3	1	RAC0018	RACC. T. 90° Ø6-Ø6	FITTING 90°- Ø6-Ø6	

KIT2671 : EXTERNAL HYDRAULIC FITTING KIT - RIGHT					
Pos.	Q.tà	Codice	Descrizione	Description	NOTE
H1	1	RAC0051	RACC. T. 90° Ø6-Ø6	FITTING 90°- Ø6-Ø6	
H2	1	#490158	RACCORDO 1/4-6	FITTING 1/4-6	
H3	1	TID0306	TUBO IDRAULICO	HYDRAULIC PIPE	

KIT2281 : TANK KIT					
Pos.	Q.tà	Codice	Descrizione	Description	NOTE
E1	1	SER0009	SERBATOIO	PLASTIC TANK	1,5L
E2	1	TAR0057	LIVELLO OLIO	OIL LEVEL STICKER	
E3	1	551242	RACC. 3/8M-1/8F	FITTING 3/8-1/8	
E4	1	550278	RACCORDO 90° 1/8"G	FITTING 90° 1/8	

KIT2282 : MANIFOLD KIT					
Pos.	Q.tà	Codice	Descrizione	Description	NOTE
F1	1	CID0106	POMPA IDRAULICA	HYDRAULIC PUMP	
F2	1	STRO015	STROZZATORE	RELIEF VALVE	
F3	1	GUA0053	GUARNIZIONE	O-RING	



KIT2285 : ELECTRIC MOTOR KIT					
Pos.	Q.tà	Code	Descrizione	Description	NOTE
A1	2	501503	RONDELLA GROW Ø6	WASHER Ø6	
A2	2	501747	VITE TCEI M6X20	SCREW TCEI M6X20	
A3	1	#551266	DADO	NUT	
A4	1	#550741	MOTORE ELETTRICO	ELECTRIC MOTOR	12V
A5	1	REL0001	TELERUTTORE	START SOLENOID	12V
A6	1	DAD0020	COLONNETTA	STUD	
A7	1	VIT0103	FASCETTA	HOSE CLAMP	
A8	2	KIT0043	KIT	ELECTRIC JUNCTION	

KIT2290 : HYDRAULIC UNIT MANIFOLD FIXING KIT					
Pos.	Q.tà	Codice	Descrizione	Description	NOTE
B1	2	501367	RONDELLA D.10	WASHER Ø10	
B2	2	501480	RONDELLA D.10	WASHER Ø10	
B3	2	500456	VITE TE M10x16	SCREW M10X16	

KIT2295 : FIXING KIT FOR BLACK PLATE POWER PACK					
Pos.	Q.tà	Codice	Descrizione	Description	NOTE
C1	3	TUB0097	DISTANZIALE	SPACER	
C2	3	501763	VITE TCEI M8X30	SCREW TCEI M8X30	
C3	1	PAS0001	PASSACAVO	RUBBER GROMMET	
C4	3	501479	RONDELLA	WASHER	

KIT2300 : COVER KIT AND FIXINGS (RIGHT)					
Pos.	Q.tà	Codice	Descrizione	Description	NOTE
D1	6	FIX0011	FISSAGGIO	FAST TURN FIX	
D2	6	VIT0119	PERNO FAST TURN	FAST TURN PIN	
D3	1	LAS1777	COPERCHIO CENTR.	COVER	RIGHT

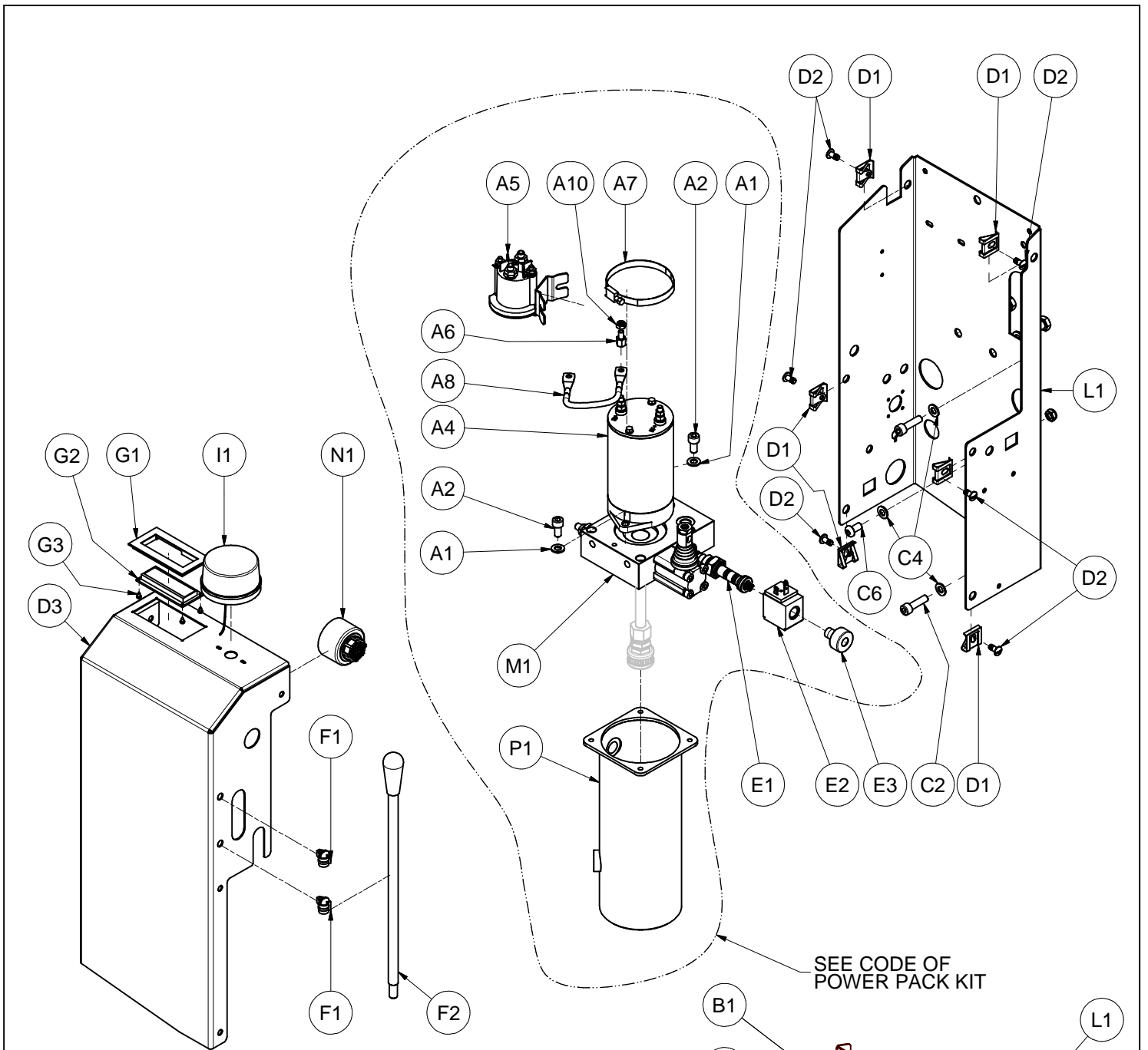
KIT2301 : COVER KIT AND FIXINGS (LEFT)					
Pos.	Q.tà	Codice	Descrizione	Description	NOTE
D1	6	FIX0011	FISSAGGIO	FAST TURN FIX	
D2	6	VIT0119	PERNO FAST TURN	FAST TURN PIN	
D4	1	LAS2078	COPERCHIO CENTR.	COVER	LEFT

KIT2305 : LOWERING VALVE KIT					
Pos.	Q.tà	Codice	Descrizione	Description	NOTE
E1	1	#550334	VALVOLA	DOWN VALVE	
E2	1	50227	SOLENOIDE	DOWN COIL	
E3	1	TON0077	SBLOCCO ELETTRIC.	DOWN VALVE HANDLE	

KIT2310 : HAND PUMP ROD KIT					
Pos.	Q.tà	Codice	Descrizione	Description	NOTE
F1	1	#552358	FISSA ASTA	HANDLE SUPPORT	
F2	1	MAN0013	MANIGLIA	HANDLE SUPPORT	

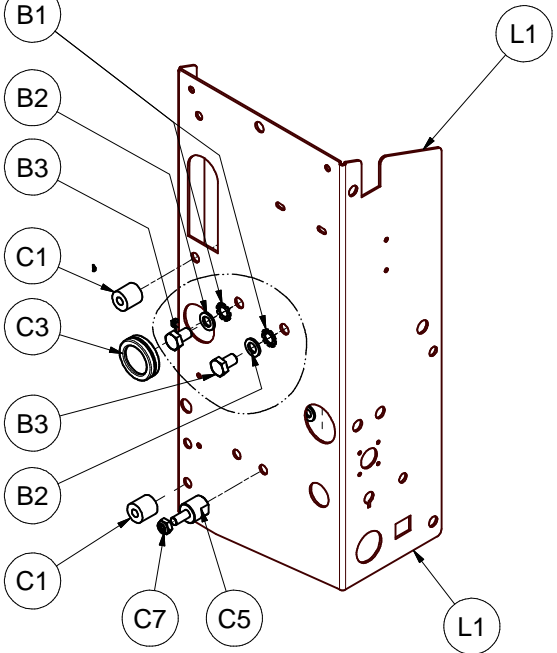
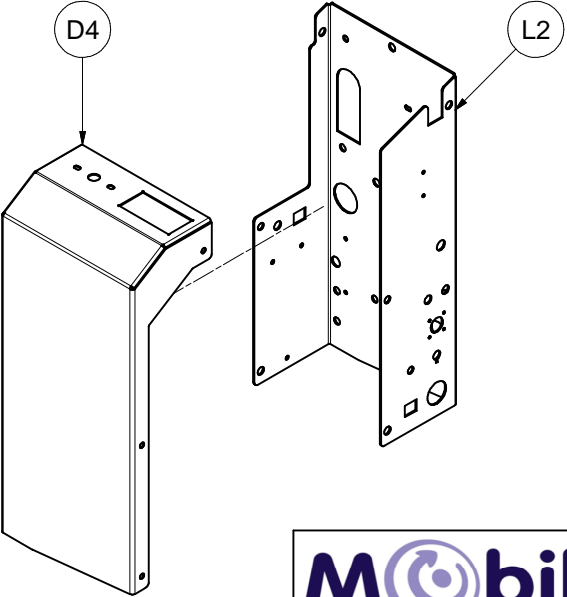
KIT2315 : LCD DISPLAY KIT					
Pos.	Q.tà	Codice	Descrizione	Description	NOTE
G1	1	COP0092	COVER DISPLAY	LCD SCREEN MOUNT	
G2	1	SCH0067	LCD display	LCD display	
G3	4	#502003	VITE AUTOF. 2,9X4,5	SCREW 2,9X4,5	

Pos.	Q.tà	Codice	Descrizione	Description	NOTE
L1	1	LAS1953	SUPPORTO CENTR. DX	RIGHT SUPPORT	RIGHT
L2	1	LAS2077	SUPPORTO CENTR. SX	LEFT SUPPORT	LEFT
M1	1	KIT2282	POMPA	MANIFOLD KIT	
P1	1	KIT2281	SERBATOIO	TANK KIT	



SEE CODE OF
POWER PACK KIT

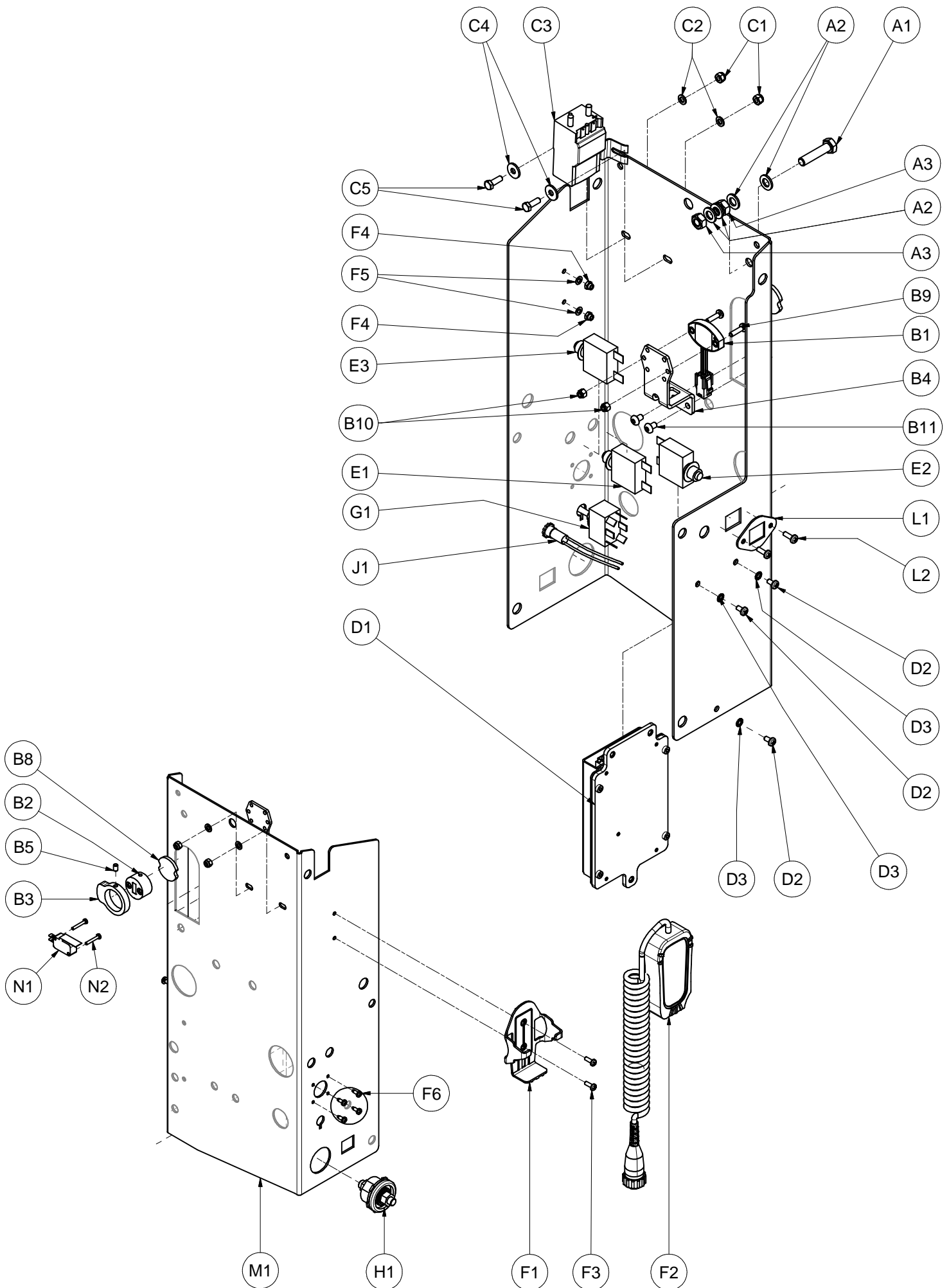
USE IN CASE OF LEFT VERSION



REAR PANNEL

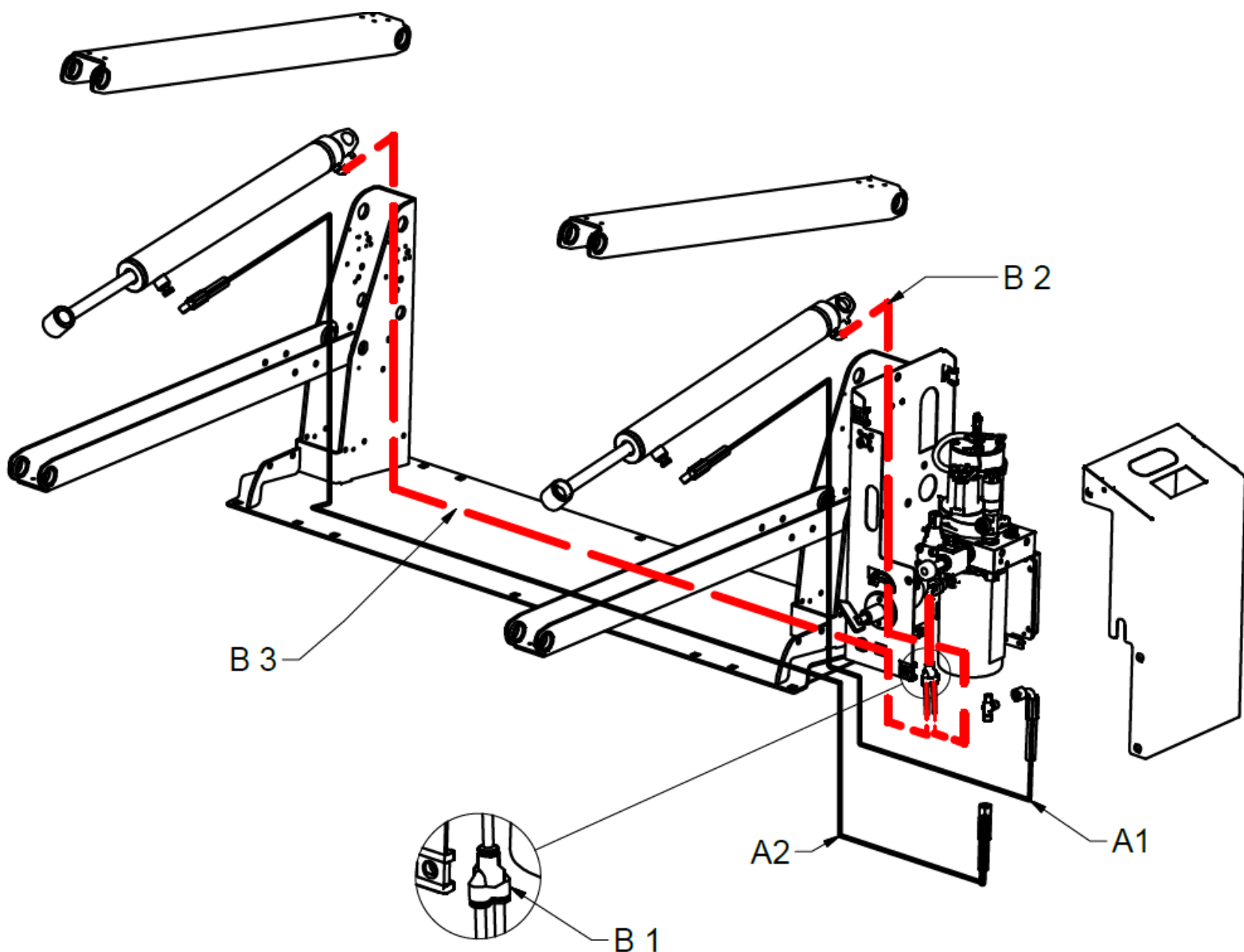
KIT2356 : POWER PACK KIT					FP MODEL
Pos.	Q.tà	Codice	Descrizione	Description	
A(1...8)	1	KIT2285	GRUPPO ELETTRICO	ELECTRIC MOTOR KIT	
B(1...4)	1	KIT2290	FISSAGGIO	HYDRAULIC UNIT	
E(1...3)	1	KIT2305	VALVOLA DISCESA	LOWERING VALVE KIT	
M1	1	KIT2282	POMPA IDRAULICA	MANIFOLD KIT	
P1	1	KIT2281	SERBATOIO	TANK KIT	

KIT2320 : EARTHING BOLT KIT					
Pos.	Q.tà	Code	Descrizione	Description	NOTE
A1	1	VIT0190	VITE TE M8X35	SCREW TE M8X35	BRASS
A2	4	RON0045	RONDELLA Ø8	WASHER Ø8	BRASS
A3	2	DAD0037	DADO M8	NUT M8	BRASS
KIT2325 : ROTARY SENSOR KIT					
Pos.	Q.tà	Codice	Descrizione	Description	NOTE
B1	1	CAB0102	SENSORE ANGOLARE	ANGULAR SENSOR	SEN0014
B2	1		MAGNETE	MAGNET	SEN0012
B3	1	LAS1780	CAMMA	CAM	
B4	1	LAS1779	SUPPORTO	SUPPORT	
B5	1	#501941	GRANO M5X8	GRUB M5X8	
B8	1	TAP0040	TAPPO X MAGNETE	MAGNET CAP	
B9	2	501203	VITE TCC M4x16	SCREW TCC M4X16	
B10	2	#501135	DADO M4	NUT M4	
B11	2	VIT0185	VITE TBEI M5x8	SCREW TBEI M5X8	
KIT2330 : ISOLATOR SOLENOID KIT					
Pos.	Q.tà	Codice	Descrizione	Description	NOTE
C1	2	501137	DADO M5	NUT M5	
C2	2	501476	RONDELLA Ø5	WASHER Ø5	
C3	1	REL0007	TELERUTT.14V	ISOLATOR SOLENOID	14V
C4	2	RON0005	RONDELLA Ø5 FL	WASHER Ø5 LARGE	
C5	2	VIT0026	VITE TE M5x14	SCREW TE M5X14	
KIT2336 : ECU KIT					
Pos.	Q.tà	Codice	Descrizione	Description	NOTE
D1	1	GPP0698165	CENTR. ELETTRONICA	ECU COMPLETE KIT	
D2	3	#551258	VITE TCB M4x8	SCREW TCB M4X8	
D3	3	#551759	RONDELLA Ø4	WASHER Ø4	
KIT2340 : RESETTABLE CIRCUIT BRAKERS KT					
Pos.	Q.tà	Codice	Descrizione	Description	NOTE
E1	1	FUS0002	FUSIBILE 8A	RESETTABLE FUSE	8A
E2	1	FUS0001	FUSIBILE 30A	RESETTABLE FUSE	30A
E3	1	FUS0004	FUSIBILE 5A	RESETTABLE FUSE	5A
KIT2345 : HAND CONTROLLER KIT					
Pos.	Q.tà	Codice	Descrizione	Description	NOTE
F1	1	#C400630	SUPP. PULSANT.	HAND SUPPORT	
F2	1	PUL0049	PULSANTIERA	HAND CONTROL	
F3	2	#551162	VITE TSPEI M4x12	SCREW TSPEI M4X12	
F4	2	DAD0031	DADO M4	NUT M4	
F5	2	RON0032	RONDELLA D.4	WASHER Ø4	
F6	4	VIT0223	VITE TCB 3,5X9,5	SCREW 3,5X9,5	
KIT2345 : HAND CONTROLLER KIT					
Pos.	Q.tà	Codice	Descrizione	Description	NOTE
G1	1	INT0038	ON/OFF	POWER SWITCH	
H1	1	CON0100	COLL. POSITIVO	BATTERY THROUGHT PANEL	
J1	1	CAB0207	SPIA VERDE	GREEN LIGHT	
L1+L2	1+2	NOT PRESENT			
KIT2345 : HAND CONTROLLER KIT					
Pos.	Q.tà	Codice	Descrizione	Description	NOTE
M1	1	LAS1953	SUPPORTO CENTR.	Main plate for power pack	RIGHT
	1	LAS2077	IDRAULICA		LEFT
KIT2347 : MICRO SWITCH KIT					
Pos.	Q.tà	Codice	Descrizione	Description	NOTE
N1	1	INT0007	MICROSWITCH	MICROSWITCH	
N2	2	VIT0017	VITE TE M3X20	SCREW TE M3X20	



KIT2690 : HYDRAULIC HOSES KIT					FP80-84
Pos.	Q.tà	Code	Descrizione	Description	NOTE
A1	1	TID0261	X CILINDRO DX	FLEX PIPE CYLINDER RIGHT	
A2	1	TID0262	X CILINDRO SX	FLEX PIPE CYLINDER LEFT	

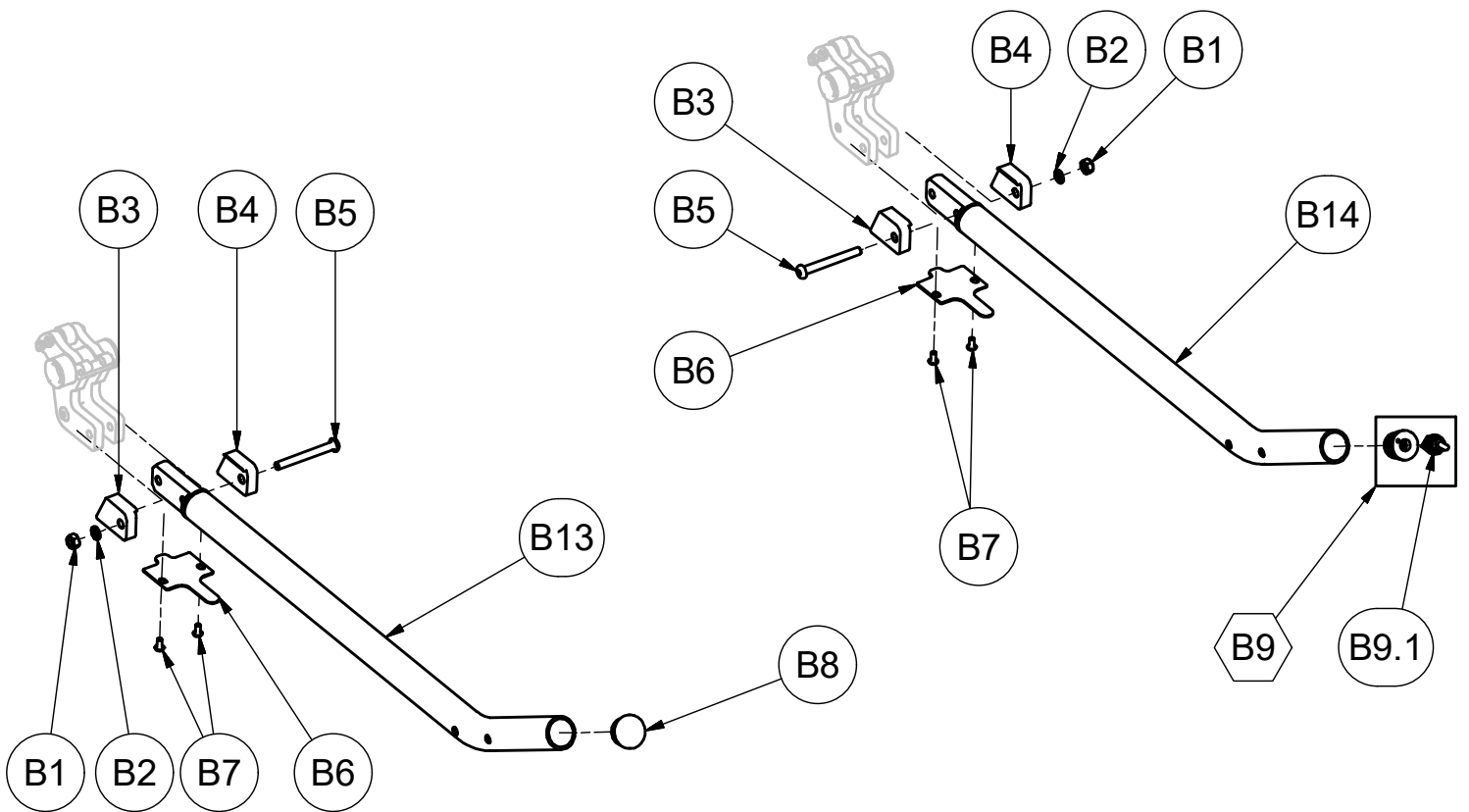
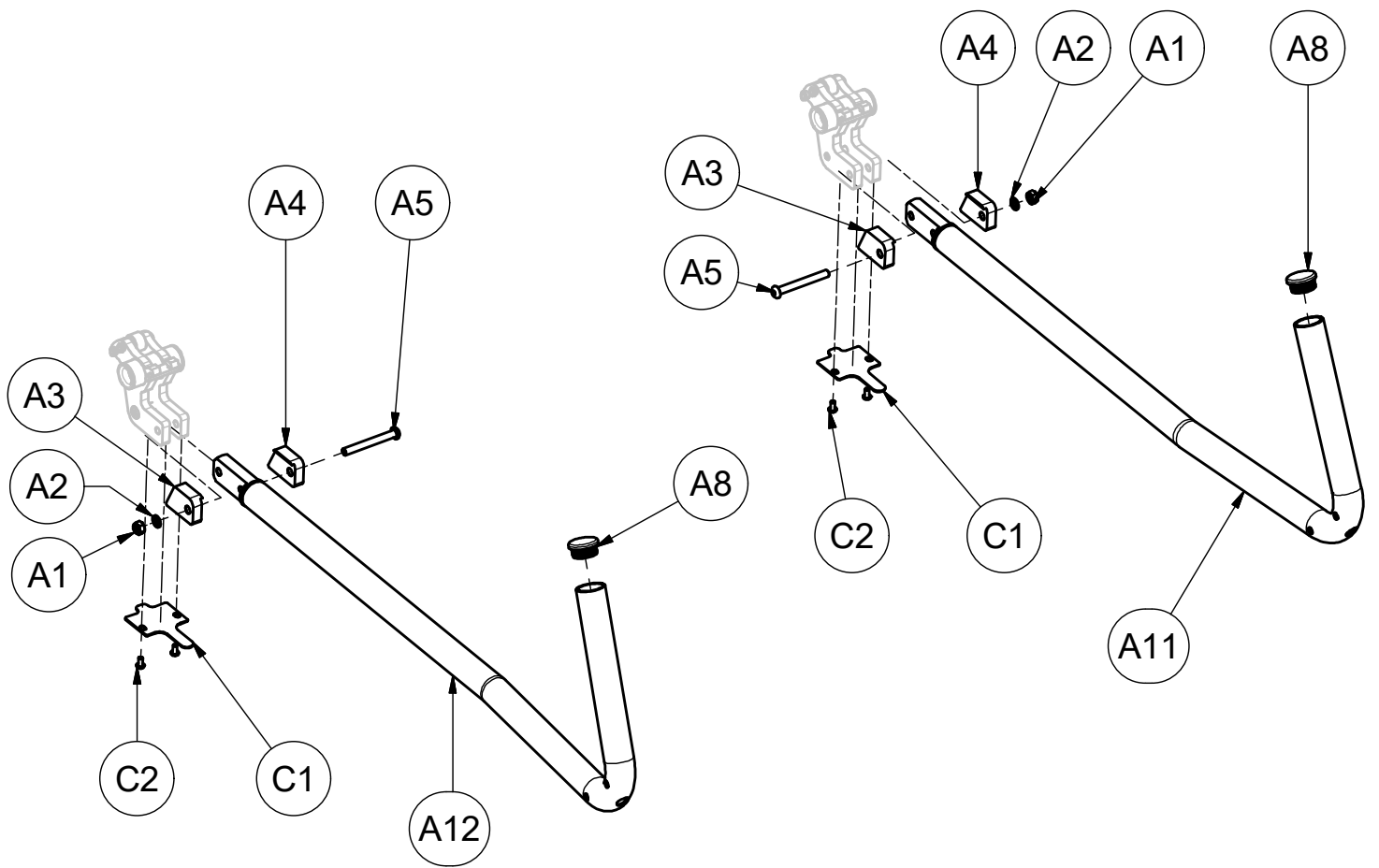
KIT2365 : HYDRAULIC DRAINAGE HOSES KIT					
Pos.	Q.tà	Code	Descrizione	Description	NOTE
B1	1	#E551342	RACCORDO	FITTING	
B2	MT. 0,3	550255	RILSAN	RETURN HOSE	
B3	MT. 0,8	550255	RILSAN	RETURN HOSE	
B4	MT. 1,6	550255	RILSAN	RETURN HOSE	



KIT2369 : PUBLIC HANDRAILS					
Pos.	Q.tà	Code	Descrizione	Description	NOTE
A1	2	DAD0034	DADO M8	NUT M8	
A2	2	RON0001	RONDELLA Ø8	WASHER Ø8	
A3	2	BLO0108	BLOCCO SX	LEFT BLOCK	rev.13/07/2021
A4	2	BLO0107	BLOCCO DX	RIGHT BLOCK	rev.13/07/2021
A5	2	VIT0213	VITE TBEI M8X70	SCREW TBEI M8X70	
A6	2	LAS2179	COPERCHIO	COVER	
A7	4	VIT0147	VITE TBEI M5X10	SCREW TBEI M5X10	
A8	3	TAP0059	TAPPO	CAP	
A11	1	ASM1526	MANIGLIONE SX	LEFT HANDRAILS	PUBLIC
A12	1	ASM1526	MANIGLIONE DX	RIGHT HANDRAILS	PUBLIC

KIT2378 : PRIVATE HANDRAILS					
Pos.	Q.tà	Code	Descrizione	Description	NOTE
B1	2	DAD0034	DADO M8	NUT M8	
B2	2	RON0001	RONDELLA Ø8	WASHER Ø8	
B3	2	BLO0108	BLOCCO SX	LEFT BLOCK	rev.13/07/2021
B4	2	BLO0107	BLOCCO DX	RIGHT BLOCK	rev.13/07/2021
B5	2	VIT0213	VITE TBEI M8X70	SCREW TBEI M8X70	
B6	2	LAS2179	COPERCHIO	COVER	
B7	4	VIT0147	VITE TBEI M5X10	SCREW TBEI M5X10	
B8	1	TAP0059	TAPPO	CAP	
B9	1	TAP0008	TAPPO FORATO	CAP WITH HOLE	
B10	1	CAB0193	JOYSTICK	JOYSTICK	
B13	2	ASM1587	MANIGLIONE	HANDRAIL	PRIVATE

KIT2150 : COVER HANDRAILS					ALL PUBLIC
C1	2	LAS2179	COPERCHIO	COVER	
C2	4	VIT0147	VITE TBEI M5X10	SCREW TBEI M5X10	



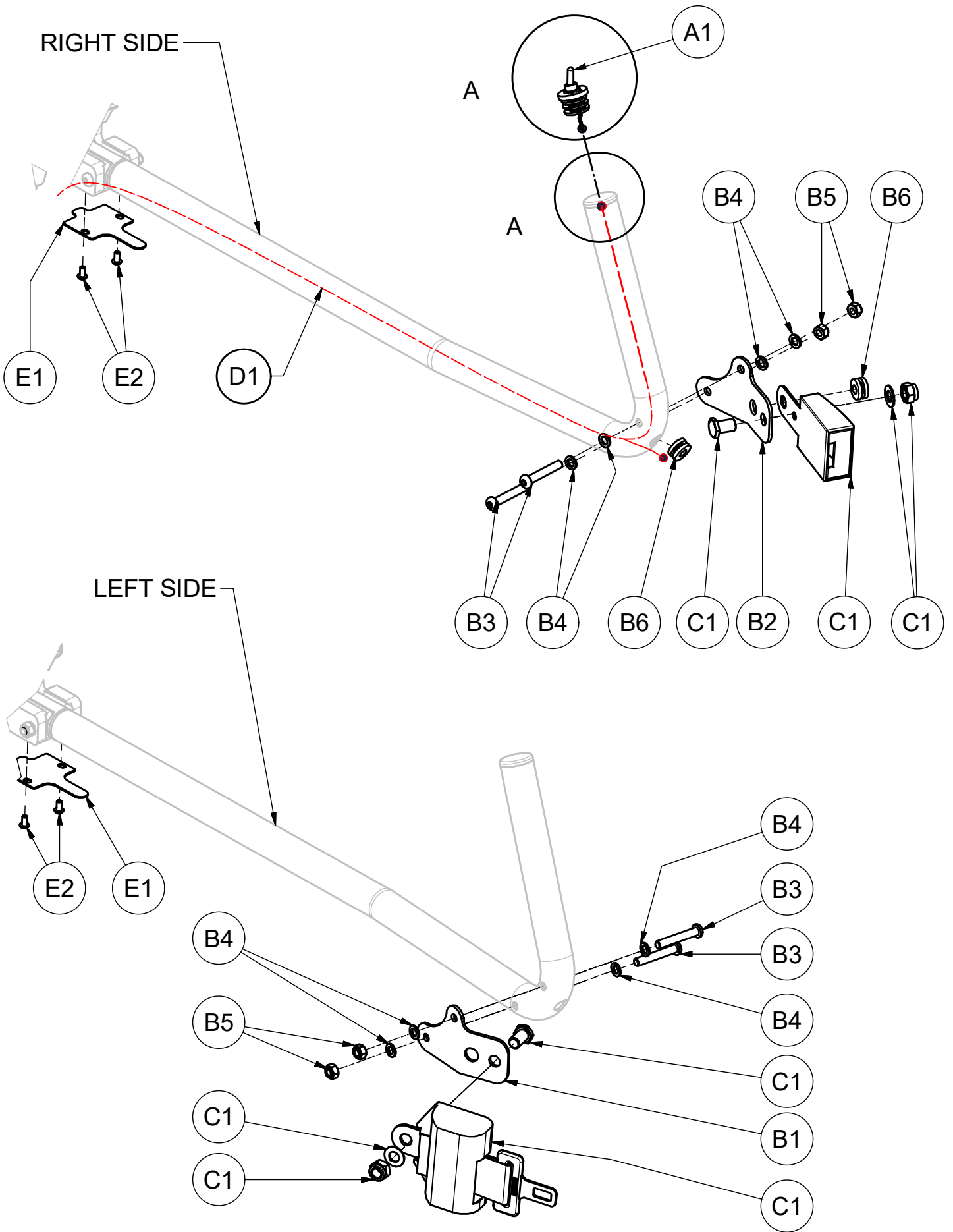
<u>KIT0379 : SWITCH JOYSTICK KIT</u>					
Pos.	Q.tà	Code	Descrizione	Description	NOTE
A1	1	KIT0409	INTERRUTTORE	SWITCH HANDRAIL	ONLY PRIVATE HANDRAILS
D1	1	CAB0194	CABLAGGIO	WIRING	
E1-2	1	KIT2150	COPERCHIO	COVER	

<u>KIT2150 : COVER HANDRAILS</u>					
E1	2	LAS2179	COPERCHIO	COVER	
E2	4	VIT0147	VITE TBEI M5X10	SCREW TBEI M5X10	

<u>KIT2385 : SUPPORT SAFETY BELT KIT</u>					
Pos.	Q.tà	Code	Descrizione	Description	NOTE
B1	1	LAS2178	SUPPORTO	SUPPORT	
B2	1	LAS2037	SUPPORTO SX	LEFT SUPPORT	
B3	2	VIT0208	SCREW TBEI M8X50	SCREW TBEI M8X50	
B4	4	RON0001	RONDELLA D.8	WASHER D.8	
B5	2	DAD0034	DADO M8	NUT M8	
B6	2	TAP0006	PASSACAVO	FAIRLEAD	
C1	1	ACC0001	CINTURA SICUREZZA + FISSAGGIO	SAFETY BELT WITH FIXING KIT	

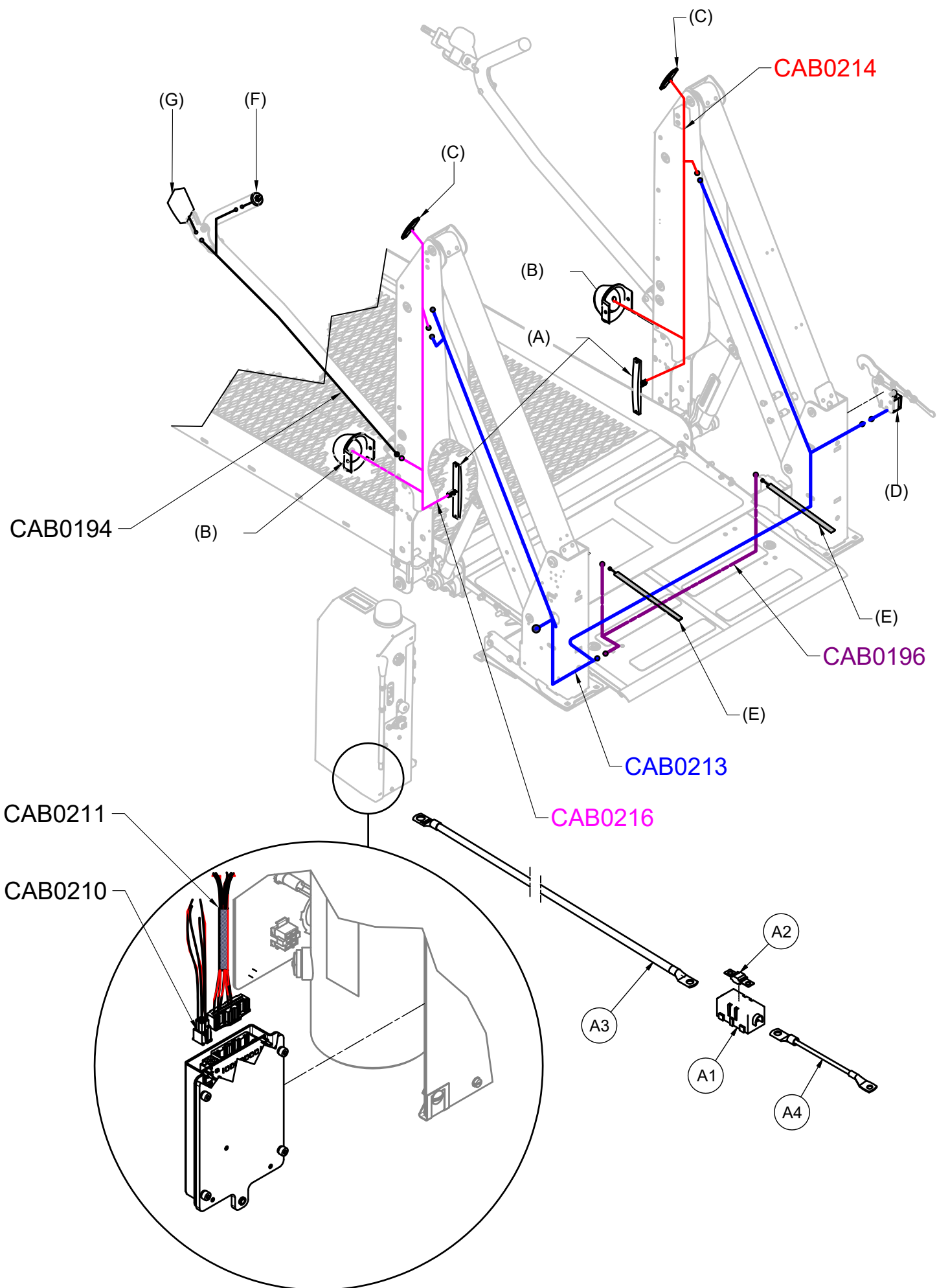
<u>KIT0380 : SAFETY BELT COMPLETE</u>					
Pos.	Q.tà	Code	Descrizione	Description	NOTE
		KIT0379		SWITCH JOYSTICK	
		KIT2385		SUPPORT SAFETY BELT	
		ACC0001		SAFETY BELT	
		CAB0194		WIRING	

<u>KIT0381 : SWITCH JOYSTICK AND SAFETY BELT</u>					
Pos.	Q.tà	Code	Descrizione	Description	NOTE
		KIT0379		SWITCH JOYSTICK	
		KIT0380		SUPPORT SAFETY BELT	
		ACC0001		SAFETY BELT	
		CAB0194		WIRING	

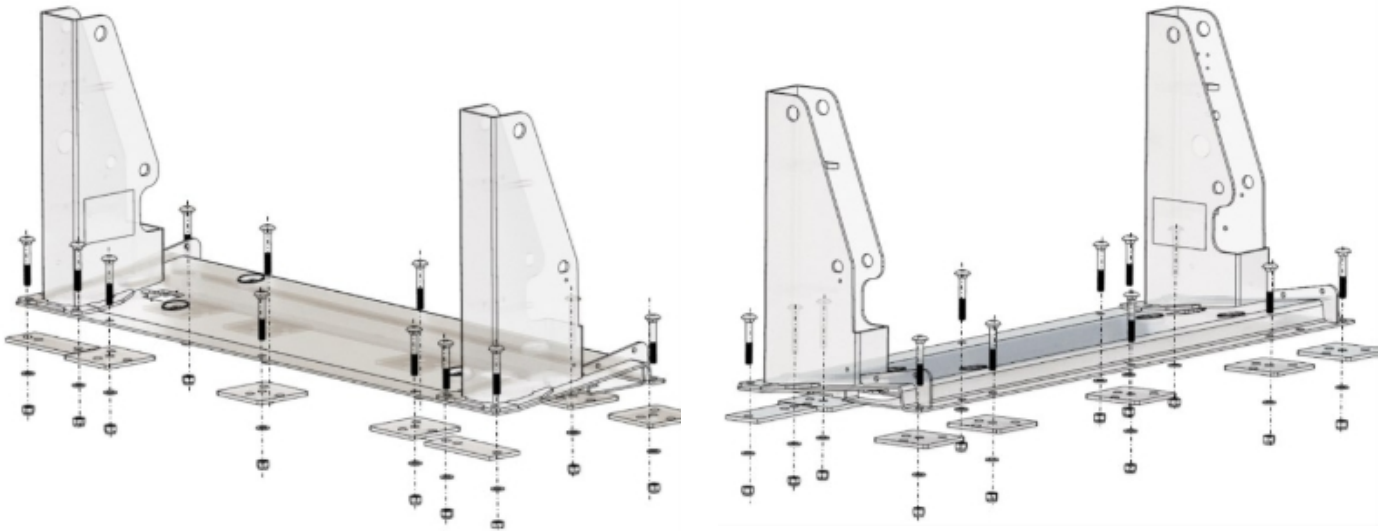


KIT2705 : WIRING					
Pos.	Q.tà	Code	Descrizione	Description	
(A)	2		RIF. TAV 7 (RIGHT / LEFT), KIT2100	SEE TAV 7 (RIGHT / LEFT), KIT2100	not included in this kit
(B)	2		RIF. TAV 7 (RIGHT / LEFT), KIT2085	SEE TAV 7 (RIGHT / LEFT), KIT2085	
(C)	2		RIF. TAV 7 (RIGHT / LEFT), KIT2100	SEE TAV 7 (RIGHT / LEFT), KIT2100	
(D)	1		RIF. TAV 6, PART A2 - KIT2070	SEE TAV 6, KIT2070	
(E)	2		RIF. TAV 4, KIT2045	SEE TAV 4, KIT2045	
(F)	1		RIF. TAV 19, KIT2380	SEE TAV 19, KIT2380	
(G)	1		RIF. TAV 19, C1	SEE TAV 19, C1	
	1	CAB0194	PROLUNGA	EXTENSION	
	1	CAB0210	CABL. ECU7PULSANTIERA	ECU/HANDRAIL WIRING	
	1	CAB0211	CABL. ALIMENTAZIONE	POWER WIRING	
	1	CAB0213	CABL. PRINCIPALE INTERNO	MAIN WIRING ON INTERNAL LIFT	
	1	CAB0214	COLL. LUCI SX	WIRING LIGHT LEFT	
	1	CAB0216	COLL. LUCI DX	WIRING LIGHT RIGHT	
	1	CAB0196	PROLUNGA SENSORI (E)	EXTENSION WIRING OF (E)	

KIT0417 : EXTERNAL WIRING					
Pos.	Q.tà	Code	Descrizione	Description	NOTE
A1	1	CAV0059	CAVO ROSSO	RED CABLE	
A2	1	CAV0070	CAVO ROSSO	FROM FUSE TO VEHICLE	
A3	1	FUS0003	FUSIBILE 80A	80A FUSE	
A4	1	POR0001	PORTAFUSIBILE	FUSE HOLDER	

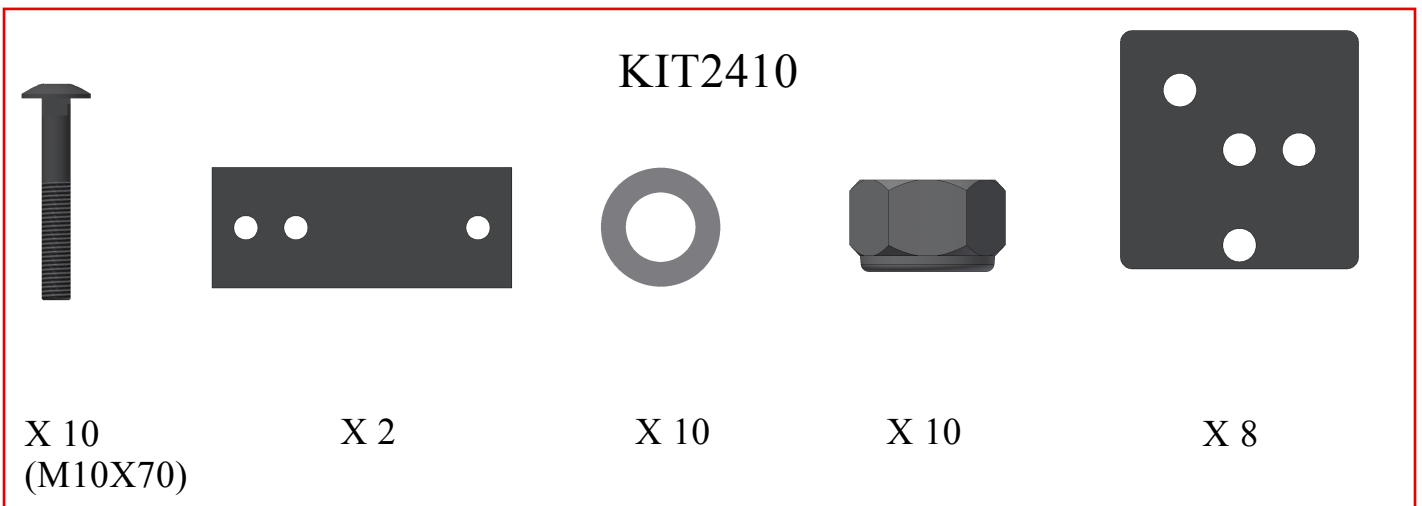


TAV21



Below: Inboard View

Below: Outboard View

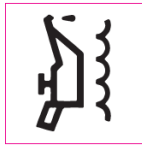
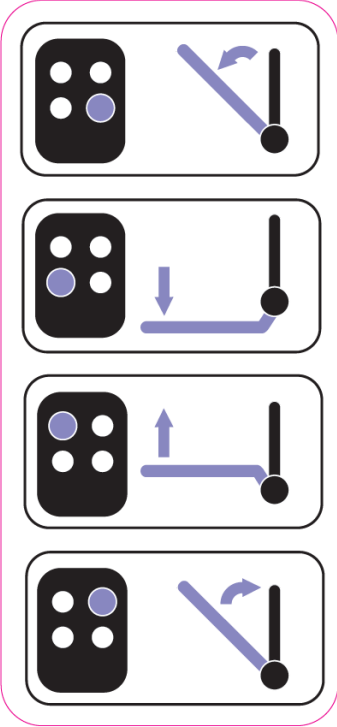
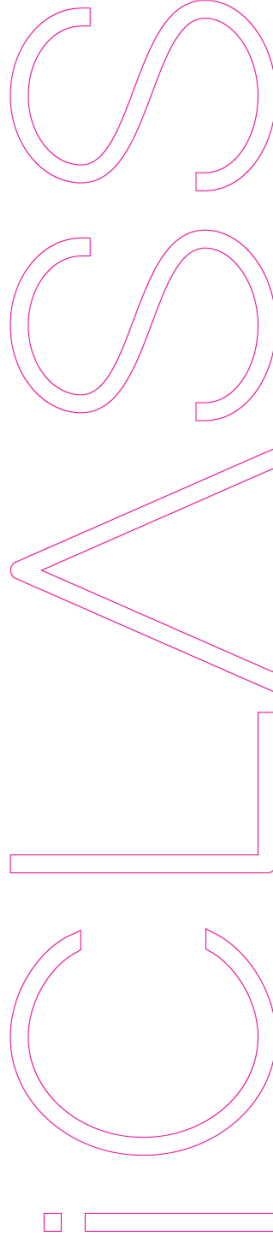
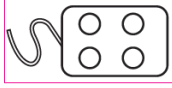
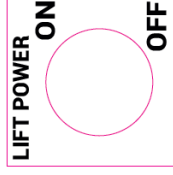
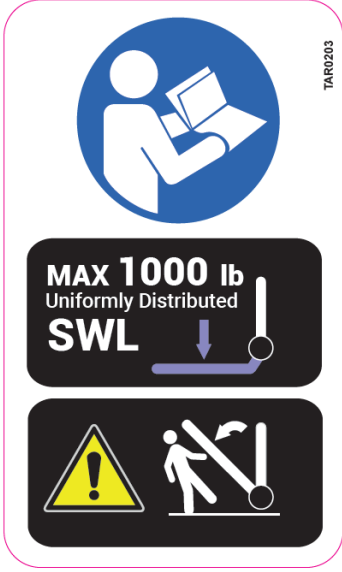
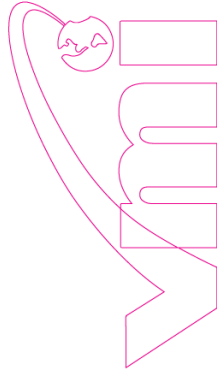
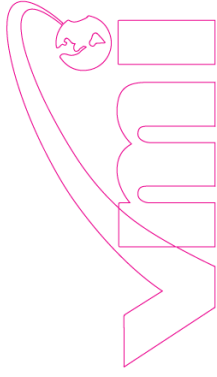
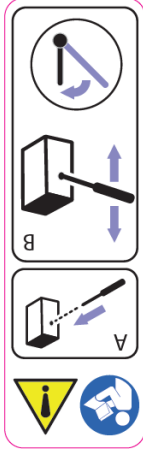
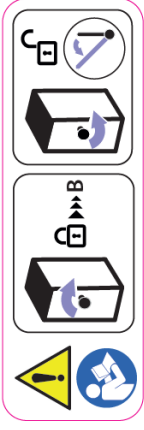


KIT2411 : IF NECESSITY USE OR REPLACE WITH THESE



TAV. 22

KIT2415





E499107



TAR0214

MANUAL OPERATION

Emergency manual controls are to be used to operate the lift in case of power supply failure.

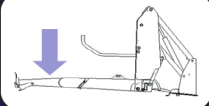
They are not intended for 'normal' use as an alternative to powered operation.

DEPLOY/DOWN

On the hydraulic unit, turn manual override valve counterclockwise (Max 1/4 turn)
Lower lift using black knob.



The platform will open and descend until making contact with the ground or if the lowering valve is closed (by turning the knob clockwise).



IMPORTANT

Before any other operation, close the lowering valve, by turning its knob clockwise.



UP/STOW

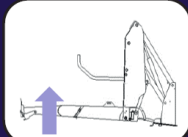
Tighten the lever into the threaded hole. (inside the vertical slot marked by the relevant label)



Operate the pump manually alternating up / down vertical movements.



The platform will reach vehicle floor level to allow user on / off the platform. Continue to operate the pump to stow the platform.



DOT—PUBLIC USE LIFT

TAR0211

TAR0211

WARNING READ MANUAL

Make sure that the movement of the lift corresponds to each command without jamming or unusual noises.

DO NOT USE LIFT IF YOU BELIEVE IT IS DAMAGED OR OPERATING INCORRECTLY

Park on level ground, make sure there is enough room around vehicle to enable safe operation

ENGAGE PARKING BRAKE

KEEP OPERATORS AND BYSTANDERS CLEAR OF OPERATING AREA

WHEN USING LIFT:

STANDEES: Stand inside yellow boundary, in the center of platform, hold hand rails.

MIND YOUR HEAD!

WHEELCHAIR PASSENGERS: Use wheelchair occupant belt. Position within yellow boundary.

Apply wheelchair brakes before operating lift. Inner roll stop and outer barrier must be up.

OPERATING INSTRUCTIONS

DEPLOY PLATFORM:

Push and hold **DEPLOY** button until platform stops at the horizontal loading position on the floor of the vehicle. Release button.

The lift can now be loaded, for wheelchair passengers lock wheelchair brakes.

LOWERING PLATFORM:

Push and hold **DOWN** button until platform stops at the horizontal loading position on the ground and the outer barrier fully unfolds. Release button.

Release wheelchair brakes and unload passenger from the platform.

RAISING PLATFORM:

The lift can now be loaded, for wheelchair passenger lock wheelchair brakes.

Push and hold **UP** button until platform stops at the horizontal loading position on the floor of the vehicle. Release button.

DOT—PUBLIC USE LIFT

TAR0210

TAR0210

KIT2417 :



TAR0217