

DOT-Private Use Lift verifies that this platform lift meets only the "private use lift" requirements of FMVSS No. 403. This lift may be installed on all vehicles appropriate for the size and weight of the lift, except for buses, school buses, and multi-purpose passenger vehicles other than motor homes with a gross vehicle weight rating (GVWR) that exceeds (4,536 kg) 10,000 lb

DOT - Private Use Lift SWL 1000lbs

IMPORTANT: REFER TO THE FULL MANUAL available at mobilitynetworksgroup.com

DO NOT REMOVE INNER BANDING UNTIL THE LIFT HAS BEEN POSITIONED ONTO THE FLOOR IN THE VEHICLE AND SECURED

INSTALLATION

Open Vehicle Door(s) and block them open

Measure the height and the width of the compartment and verify that they are bigger than the overall dimensions of the lift

Place the lift inside the door aperture.

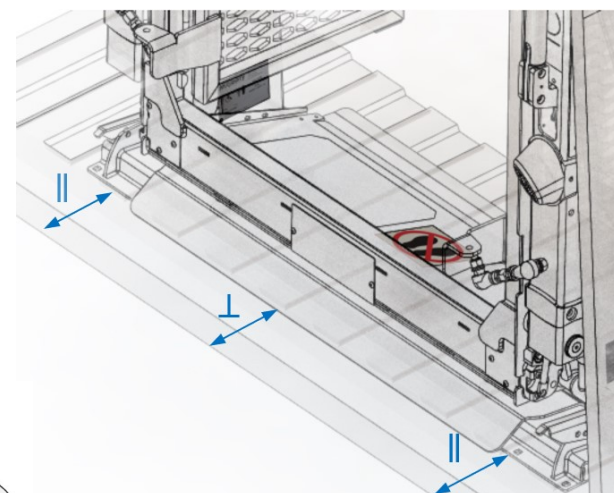
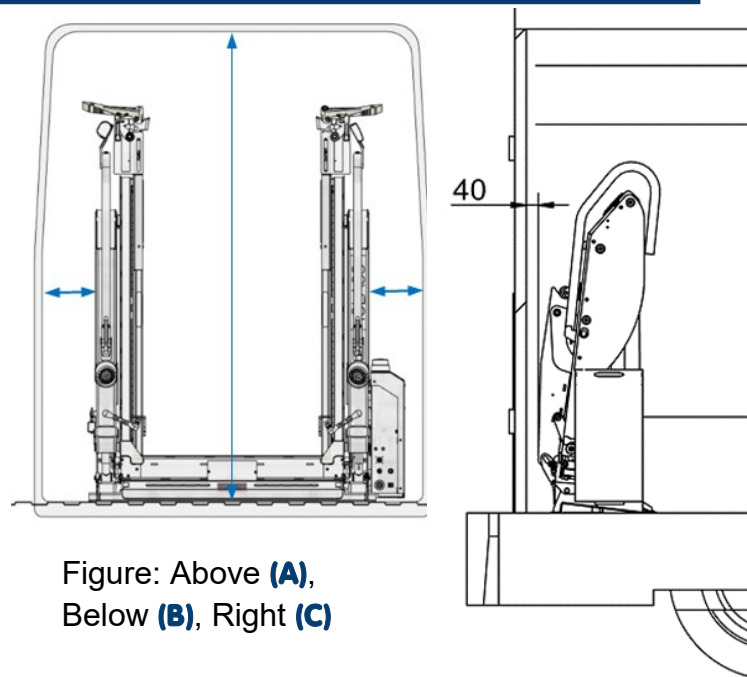
Center the lift within the aperture **(A)**.

Align the external edge at the base of the lift parallel and perpendicular to the closing edge of the door(s) **(B)**.

Close the doors and move the lift to >40mm of the closed door. **(C)**.

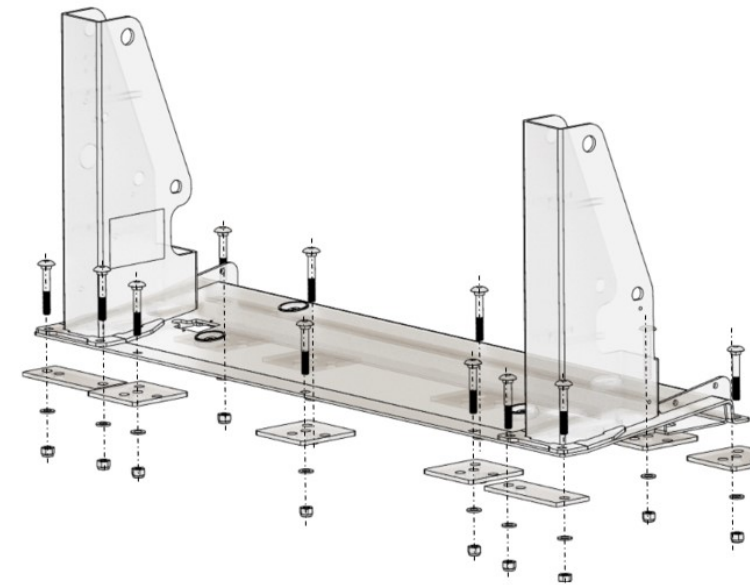
Trial Fit. Drill pilot holes then drill to allow M10 Bolts to pass through. Initially, only drill and fix Holes A and G. Fix list using mounting bolts then deploy lift to make sure there is enough bumper clearance. **(D)**

When sure that the position is OK, use the other 10x holes at the base of the lift as a guide to drill

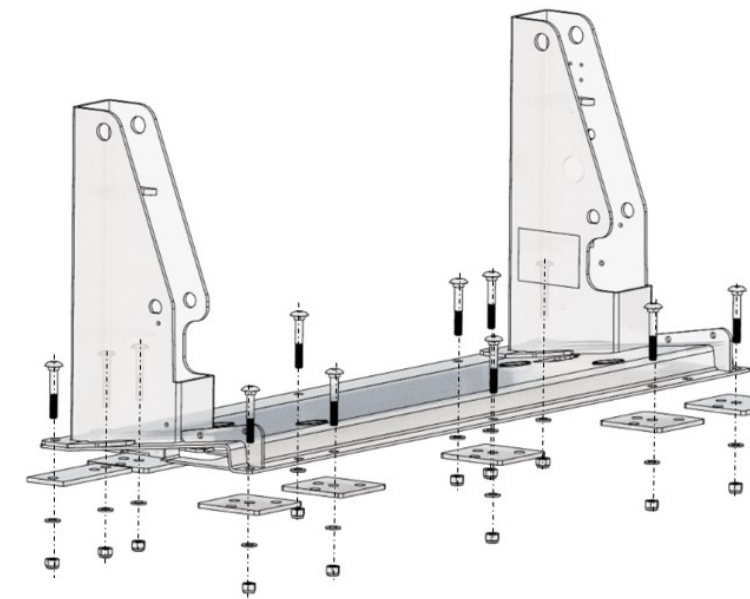


Fit under floor spreader plates:

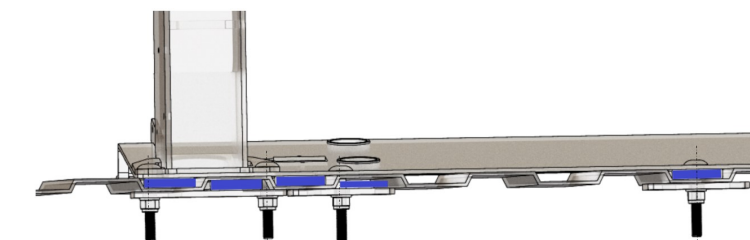
Below: Inboard View **(E)**



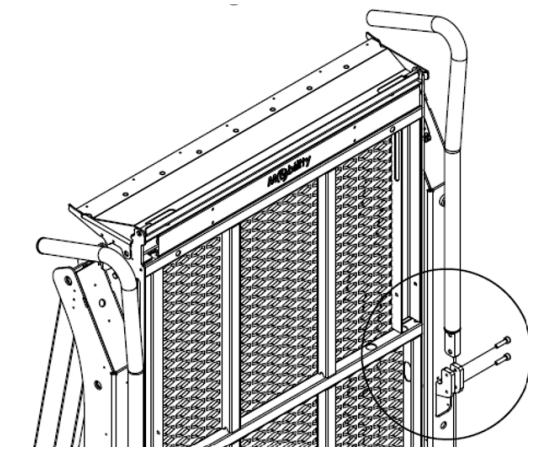
Below: Outboard View **(F)**



Below: Use packer plates to prevent panel crush **(G)**



Below: Fit Handles **(H)**



POWER SUPPLY

Fit Battery Isolation Device

Toggle Lift Power to OFF

Install warning light within vehicle cabin

Follow Instruction manual for further installation detail

Fit Negative connection

Connect Positive connection

Connect Interlock

POWER PACK

Follow Instruction manual for further installation detail.

See Pressure Control Switch Adjustment .

COMMISSIONING

Program the lift positions.

Follow Instruction manual for further installation detail.

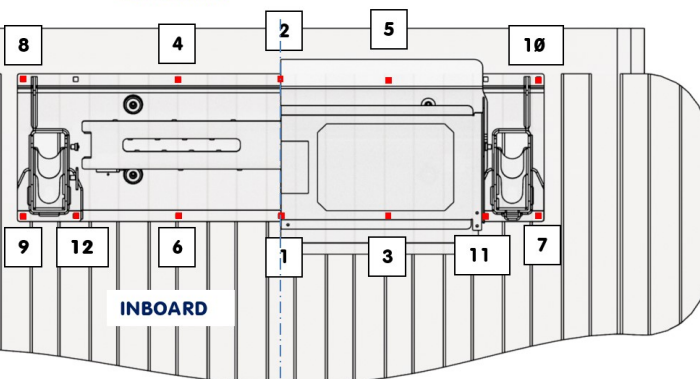
Perform weight tests.

Follow the commissioning checklist.

OPERATION

See next sheet and refer to the full manual.

OUTBOARD



Left: **(D)**