



SPARE PARTS CATALOGUE

iCLASS ADA

P MODEL



March 2020 – REV.00

Nessuna parte di questo manuale può essere riprodotta, memorizzata in un sistema di archiviazione o trasmessa a terzi in qualsiasi forma o con qualsiasi mezzo, senza che **Mobility Networks Ltd** abbia rilasciato preventiva autorizzazione scritta.

Mobility Networks Ltd si riserva il diritto di apportare, in qualsiasi momento e senza preavviso, modifiche e miglioramenti ai prodotti per incrementarne la qualità, senza che tali modifiche siano riportate nella presente pubblicazione.

This handbook cannot be reproduced, stored by a filing system or transmitted to third parties, in whole or in part, in whatsoever form or medium, without permission from **Mobility Networks Ltd**.

Mobility Networks Ltd reserve the right to carry out product changes and improvements in order to enhance quality at any time and without notice, even if such modifications are not repeated in this publication.

MODELS P :

P80130

P75110

REVISION No.	DATE	NOTE
00	JUNE 2020	ORIGINAL VERSION

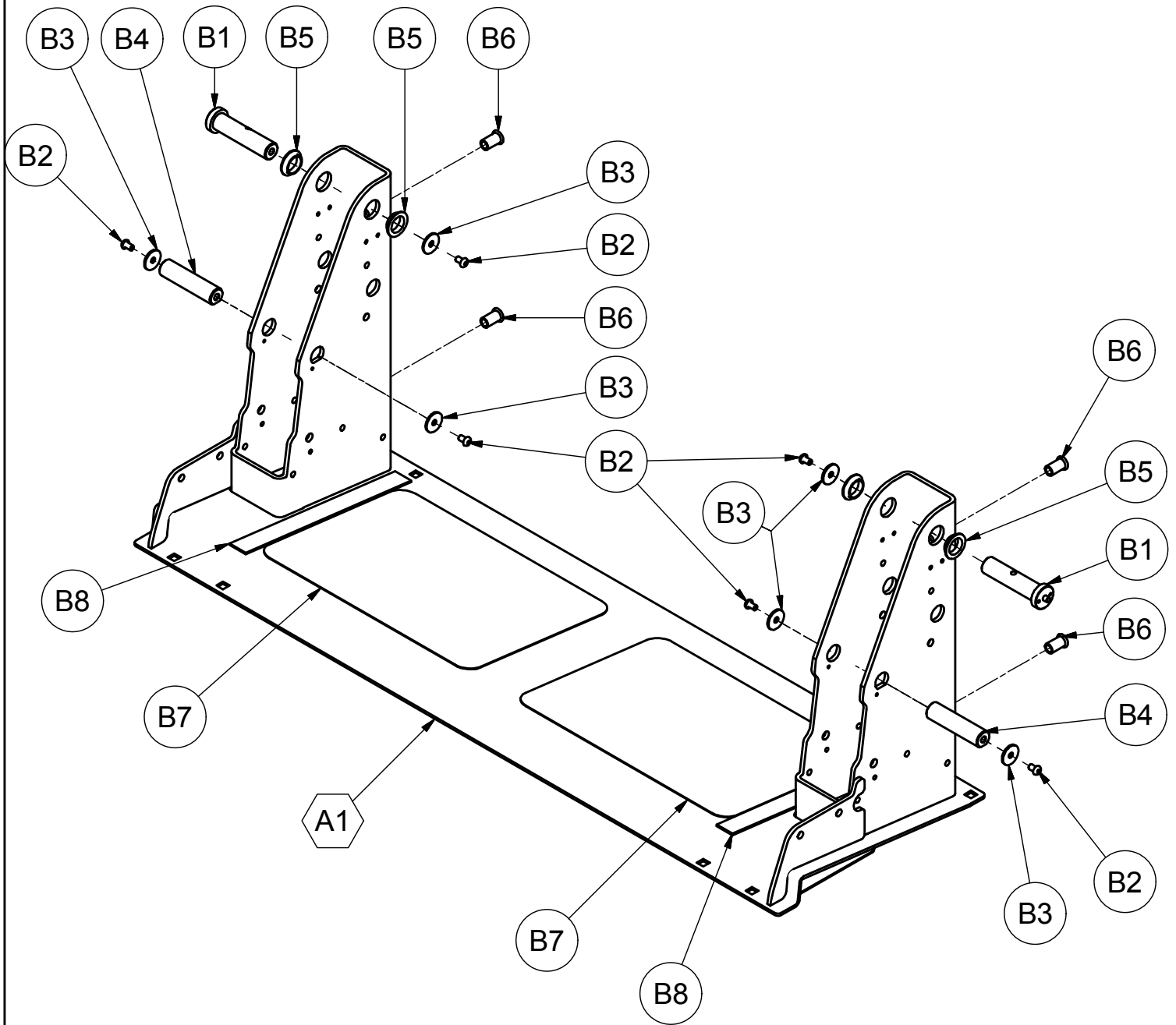
SUMMARY				
DESCRIPTION	DRAWING TABLE	CODE	MODEL	Page
Main base	TAV.1	ASM1621	P75	6
		ASM1421	P80	
		KIT2550	ALL	
Pin and fasteners kit	TAV. 1			
Pivot bushes kit	TAV.2 (B)	KIT2015	ALL	8
Arm end cover kit	TAV.2 (C)	KIT2555	ALL	8
Under arm kit	TAV.2 (A)	KIT2032	ALL	8
Upper arm kit	TAV.2	KIT2740	P75	8
		KIT2037	P80	
Rail kit	TAV.3	KIT2745	P75	10
		KIT2750	P80	
Lifting cylinder kit	TAV.5 (A)	KIT2061	P75	
		KIT2062	P80	
Hydr.connection for 2 cylinder kit	TAV.5 (B)	KIT2065	ALL	
Seals kit	TAV.5 (C)	KIT2068	ALL	
Electromagnet for hook kit	TAV.6 (A)	KIT2070	ALL MODELS	13
Safety hook kit (left mounting)	TAV.6 (B)	KIT2075		
Safety hook kit (right mounting)	TAV.6 (B)	KIT2076		
Pin for safety hook kit	TAV.6 (C)	KIT2080		
Outer arm frame kit	TAV.7	ASM1259	P80	15-17
		ASM1258		
		ASM1260	P75	
		ASM1260		
Frog light kit	TAV.7 (B)	KIT2085	ALL MODELS	
Pivot pins kit	TAV.7 (C)	KIT2091		
Arms panels	TAV.7 (D)	KIT2560	P80	
		KIT2752	P75	
Strip leds kit	TAV.7 (E)	KIT2565	ALL MODELS	15-17
Gas spring pins and spacer kit	TAV.7 (F)	KIT2105		
Handrail adjuster bolts kit	TAV.7 (G)	KIT2110		
Platform and handrails buffers kit	TAV.7 (H)	KIT2115		
Led ight kit	TAV.7 (L)	KIT2566		15-17
End run kit	TAV.7 (M) left	KIT2562		
	TAV.7 (M) right	KIT2563		
Telescopic right kit	TAV.8 RIGHT	KIT2570	P80	19
Telescopic left kit	TAV.8 LEFT	KIT2575		
Rotational stowage arm kit	TAV.8 RIGHT/LEFT	KIT2765		
Telescopic right kit	TAV.8 RIGHT	KIT2760	P75	
Telescopic left kit	TAV.8 LEFT	KIT2755		
Rotational stowage arm kit	TAV.8 RIGHT/LEFT	KIT2770		
Gas spring	TAV.8 (C)	MOL0013	ALL	

SUMMARY				
DESCRIPTION	DRAWING TABLE	CODE	MODEL	Page
Knuckle joints handrails kit	TAV.9 (A)	KIT2140	P80	22
	TAV.9 (D)	KIT2155		
	TAV.9 (A)	KIT2141	P75	
Inner barrier linkage kit right	TAV.11 (A) right	KIT2775	P75	23
Inner barrier linkage kit left	TAV.11 (A) left	KIT2780		
Inner barrier linkage kit right	TAV.11 (A) right	KIT2785	P80	
Inner barrier linkage kit left	TAV.11 (A) left	KIT2790		
Inner barrier kit	TAV.12	KIT2795	P75	24
		KIT2800	P80	
Platform fixing kit	TAV.13 (A)	KIT2805	ALL	26
Full assembled platform kit	TAV.13	KIT2810	P75	
		KIT2815	P80	
Complete front flap kit	TAV.14	KIT2835	P75	32
		KIT2840	P80	
Front flap kit	TAV.14(B)	KIT2820	P75	32
		KIT2825	P80	
Main frame front flap kit	TAV.14(A)	KIT2830	ALL	32
Pressure switch kit	TAV.15 (A)	KIT2665	ALL	34
Suction tube kit	TAV.15 (B)	KIT2266	ALL	
Oil filling hose kit	TAV.15 (C)	KIT2270	ALL MODELS	
External Hydraulic fitting kit	TAV.15 (D)	KIT2670		
Tank kit	TAV.15 (E)	KIT2281	ALL	
Manifold kit	TAV.15 (F)	KIT2282	ALL	

SUMMARY				
DESCRIPTION	DRAWING TABLE	CODE	MODEL	Page
Electric motor kit.(12V.)	TAV.15 (A)	KIT2285	ALL MODELS	36
Hydraulic unit manifold fixing kit	TAV.15 (B)	KIT2290		
Fixing kit for black plate power pack	TAV.15 (C)	KIT2295		
Power pack right cover kit and fixings RIGHT	TAV.15 (D)	KIT2675		
Power pack left cover kit and fixings LEFT		KIT2680		
Lowering valve kit	TAV.15 (E)	KIT2305		
Hand pump rod kit	TAV.15 (F)	KIT2310		
LCD display kit	TAV.15 (G)	KIT2315	ALL MODELS	36
Power pack kit	TAV.15	KIT2356	ALL MODELS	38
Rotary sensor kit	TAV.15 (H) Part.2	KIT2325		
Isolator solenoid kit	TAV.15 (I) Part.2	KIT2330		
ECU kit	TAV.15 (L) Part.2	KIT2335		
Resettable circuit breakers kit	TAV.15 (Q) Part.2	KIT2340		
Hand controller kit	TAV.15 (N) Part.2	KIT2345		
Power switch	TAV.15 (R) Part.2	KIT2685		
Hydraulic hose kit	TAV.16 (A)	KIT2690	ALL	39
Hydraulic drainage hoses kit	TAV. 16 (B)	KIT2365		
Public Handrails	TAV.18 (A)	KIT2371	P75	41
Private Handrails	TAV.18 (B)	KIT2376	P75	
Switch Joystick kit	TAV.19 (A)	KIT2380	ALL MODELS	43
Support of safety belt kit	TAV.19 (B)	KIT2385		
Safety belt kit	TAV.19 (C)	ACC0001		
Internal wiring	TAV.19 (D)	CAB0194		
Switch Joystick + safety belt kit	TAV.19	KIT2395		
Electrical wiring	TAV.20	KIT2700	ALL MODELS	44
Label	TAV.21	KIT2715	ALL MODELS	45
		KIT2720		47
		TAR0217		47
Fixing kit	TAV.22	KIT2410	ALL MODELS	48
		KIT2411		

Pos.	Q.tà	Code	Descrizione	Description	NOTE
A1	1	ASM1621	BASE	MAIN BASE	P75-KIT2730
A2	1	ASM1421	BASE	MAIN BASE	P80-KIT2732

KIT2550 : BASE FASTENER KIT					
Pos.	Q.tà	Code	Descrizione	Description	NOTE
B1	2	PER0166	PERNO MAGNETE	MAGNET PIN	
B2	6	#500426	VITE TE M8x14	SCREW TE M8x14	
B3	6	RON0030	RONDELLA Ø8	WASHER Ø8	
B4	2	PER0015	PERNO Ø20	PIN Ø20	
B5	2	502532	BOCCOLA	BUSH	
B6	4	INS0002	INSERTO	THREADED INSERT	
B7	2	RTO0033	SAFETY GRIP	SAFETY GRIP	
B8	2	PAN0033	SAFETY GRIP	SAFETY GRIP	



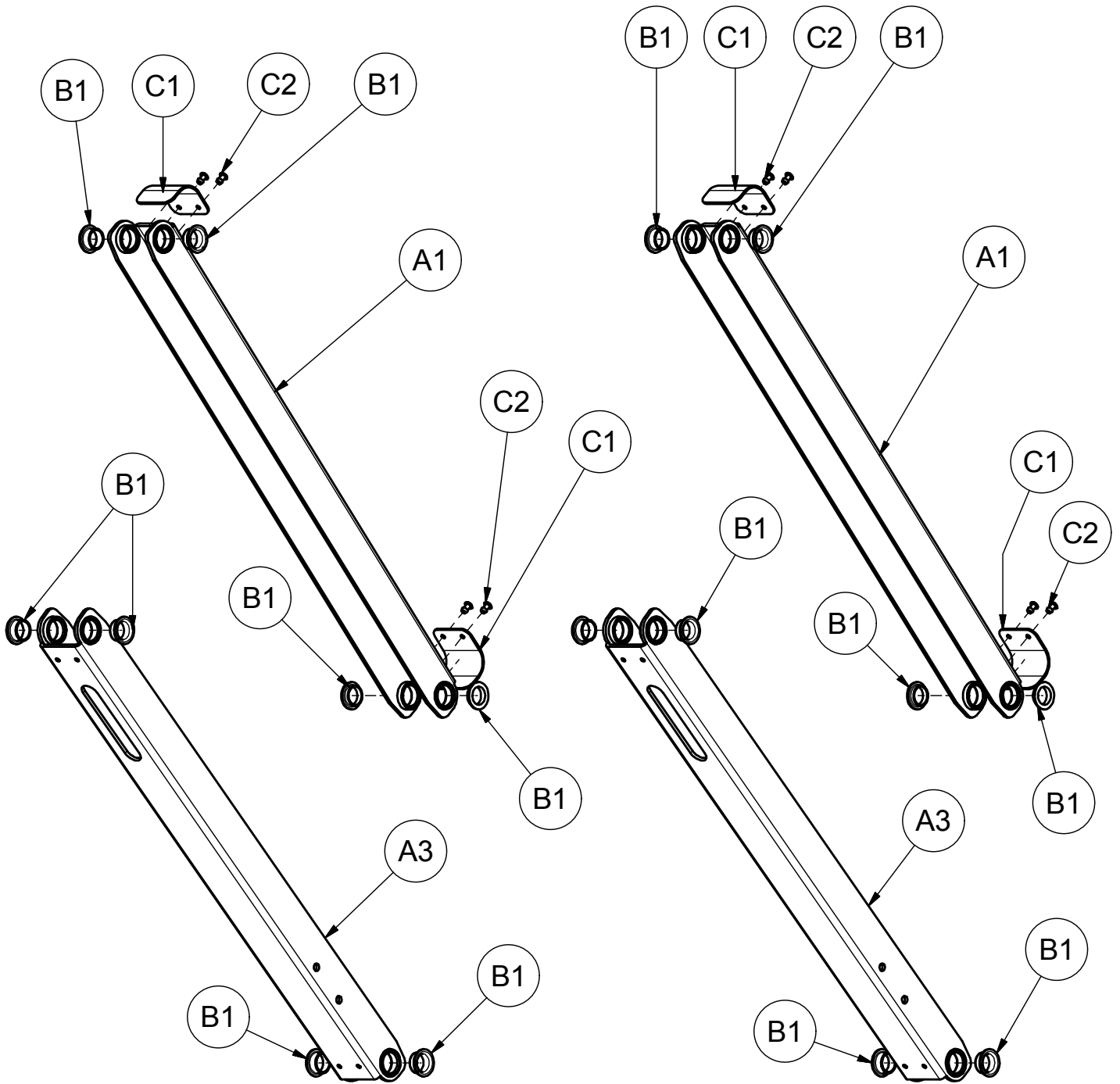
KIT2015 : PIVOT BUSH					
Pos.	Q.tà	Code	Descrizione	Description	NOTE
B1	4	BOC0023	BOCCOLA	BUSH	

KIT2555 : COVER OF ARMS					
Pos.	Q.tà	Code	Descrizione	Description	NOTE
C1	3	LAS1614	CARTER BRACCIO	COVER	
C2	8	501911	RIVETTO	RIVET	

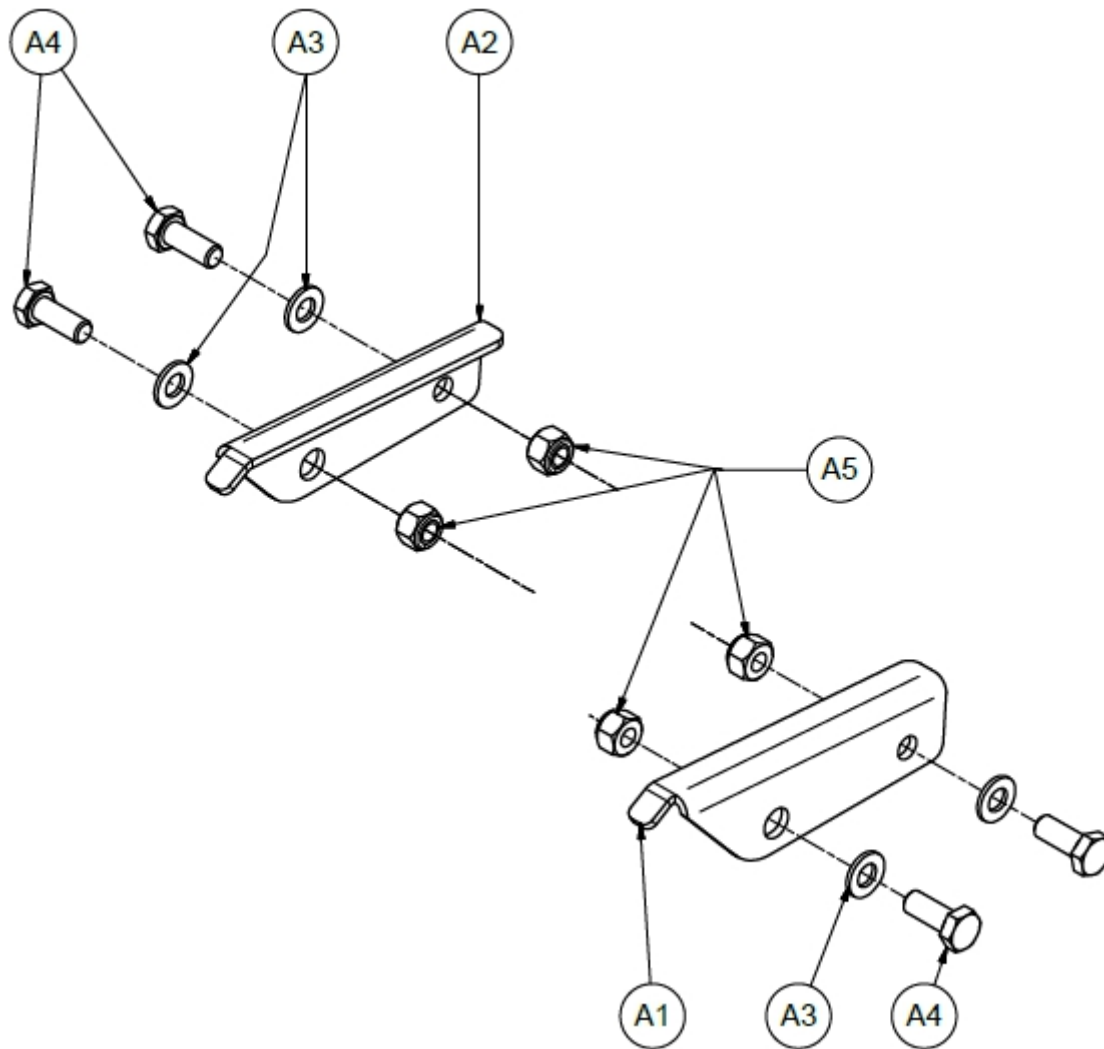
KIT2032 : UNDER ARM					
Pos.	Q.tà	Code	Descrizione	Description	NOTE
A3	1	ASM1217	BRACCIO INF.	UNDER ARM	
B1	4	BOC0023	BOCCOLA	BUSH	

KIT2037 : UPPER ARM KIT					P80
Pos.	Q.tà	Code	Descrizione	Description	NOTE
A1	1	ASM1206	BRACCIO DESTRO	UPPER RIGHT ARM	
B1	4	BOC0023	BOCCOLA	BUSH	
C1	2	LAS1614	CARTER	COVER	
C2	4	501911	RIVETTO	RIVET	

KIT2740 : UPPER ARM KIT					P75
Pos.	Q.tà	Code	Descrizione	Description	NOTE
A1	1	ASM1291	BRACCIO DESTRO	UPPER RIGHT ARM	
B1	4	BOC0023	BOCCOLA	BUSH	
C1	2	LAS1614	CARTER	COVER	
C2	4	501911	RIVETTO	RIVET	



KIT2558 : RAIL KIT					
Pos.	Q.tà	Code	Descrizione	Description	NOTE
A1	1	LAS1541	ROTAIA DX P FMVSS	RIGHT RAIL	
A2	1	LAS1557	ROTAIA SX P FMVSS	LEFT RAIL	
A3	4	#500429	VITE TE M8X20	SCREW TE M8X20	
A4	12	RON0001	RONDELLA D.8	WASHER	
A5	4	DAD0034	DADO	NUT	

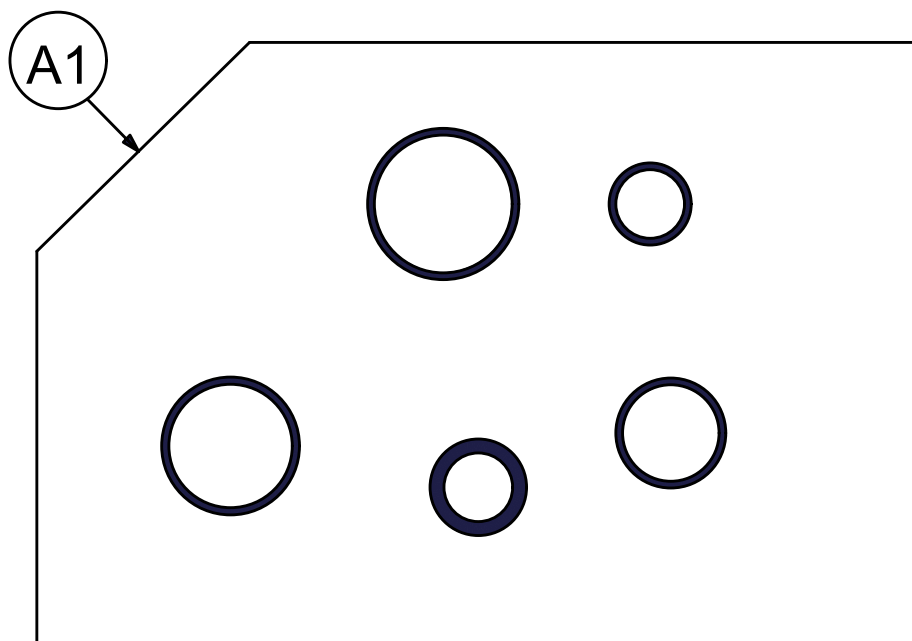
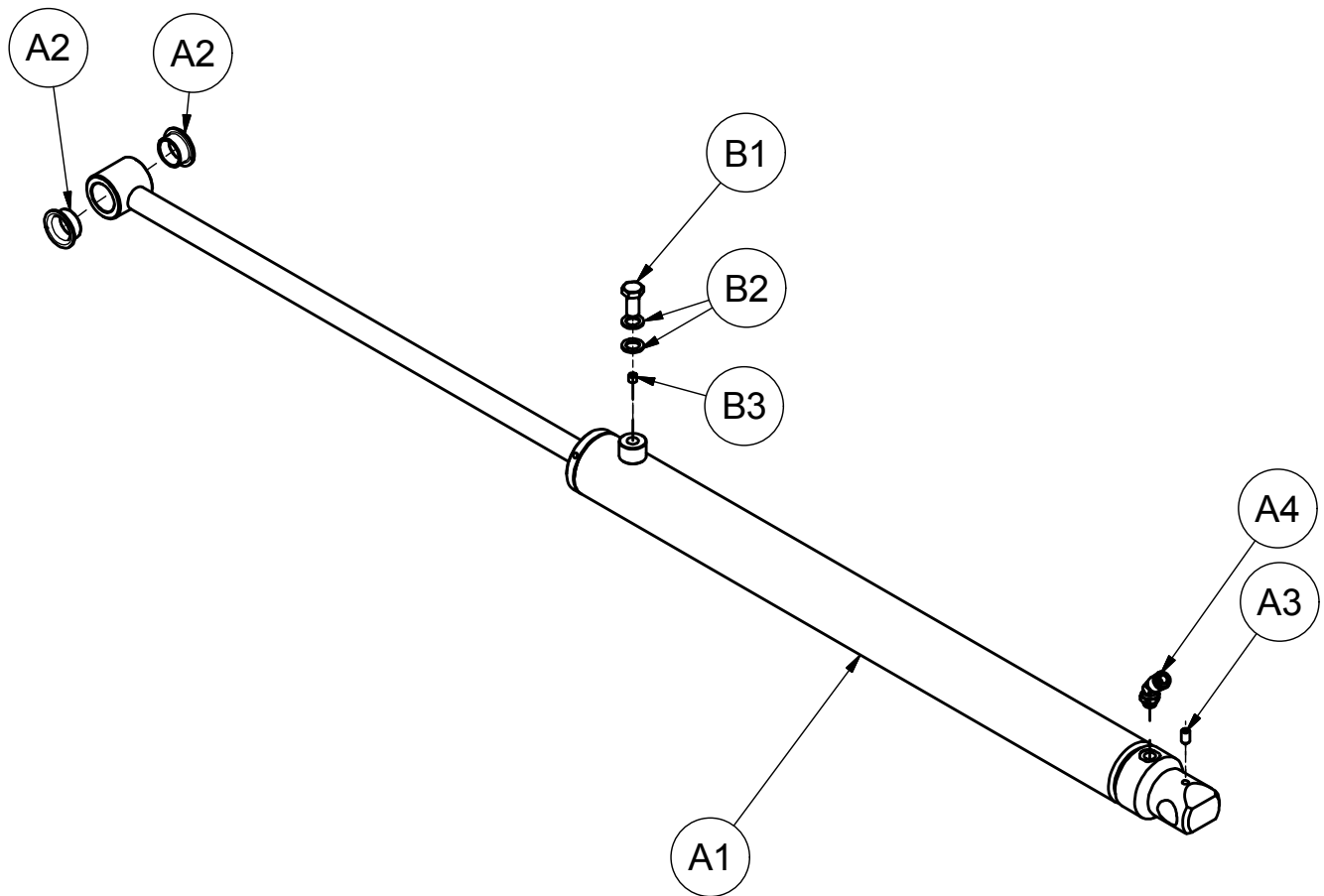


KIT2061 : LIFTING CYLINDER KIT					P75
Pos.	Q.tà	Code	Descrizione	Description	
A1	1	CIL0079	CILINDRO	CYLINDER	
A2	2	BOC0023	BOCCOLA	BUSH	
A3	1	VIT0172	GRANO M6	GRUB M6X12	
A4	1	RAC0045	RACCORDO	FITTING	

T2062 : LIFTING CYLINDER KIT					P80
Pos.	Q.tà	Code	Descrizione	Description	
A1	1	CIL0078	CILINDRO	CYLINDER	
A2	2	BOC0023	BOCCOLA	BUSH	
A3	1	VIT0172	GRANO M6	GRUB M6X12	
A4	1	RAC0045	RACCORDO	FITTING	

KIT2065 : FITTINGS OF CYLINDER KIT					
Pos.	Q.tà	Code	Descrizione	Description	NOTE
B1	2	RAC0041	RACCORDO 1/8	1/8 FITTING	
B2	4	550200	RONDELLA	WASHER	
B3	2	VIT0169	GRANO STROZZATORE	THROTTLE GRUB M6	

KIT2068 : SEALS KIT					
Pos.	Q.tà	Code	Descrizione	Description	NOTE
A1	1	KIT0327	GUARNIZIONI	SEALS KIT	



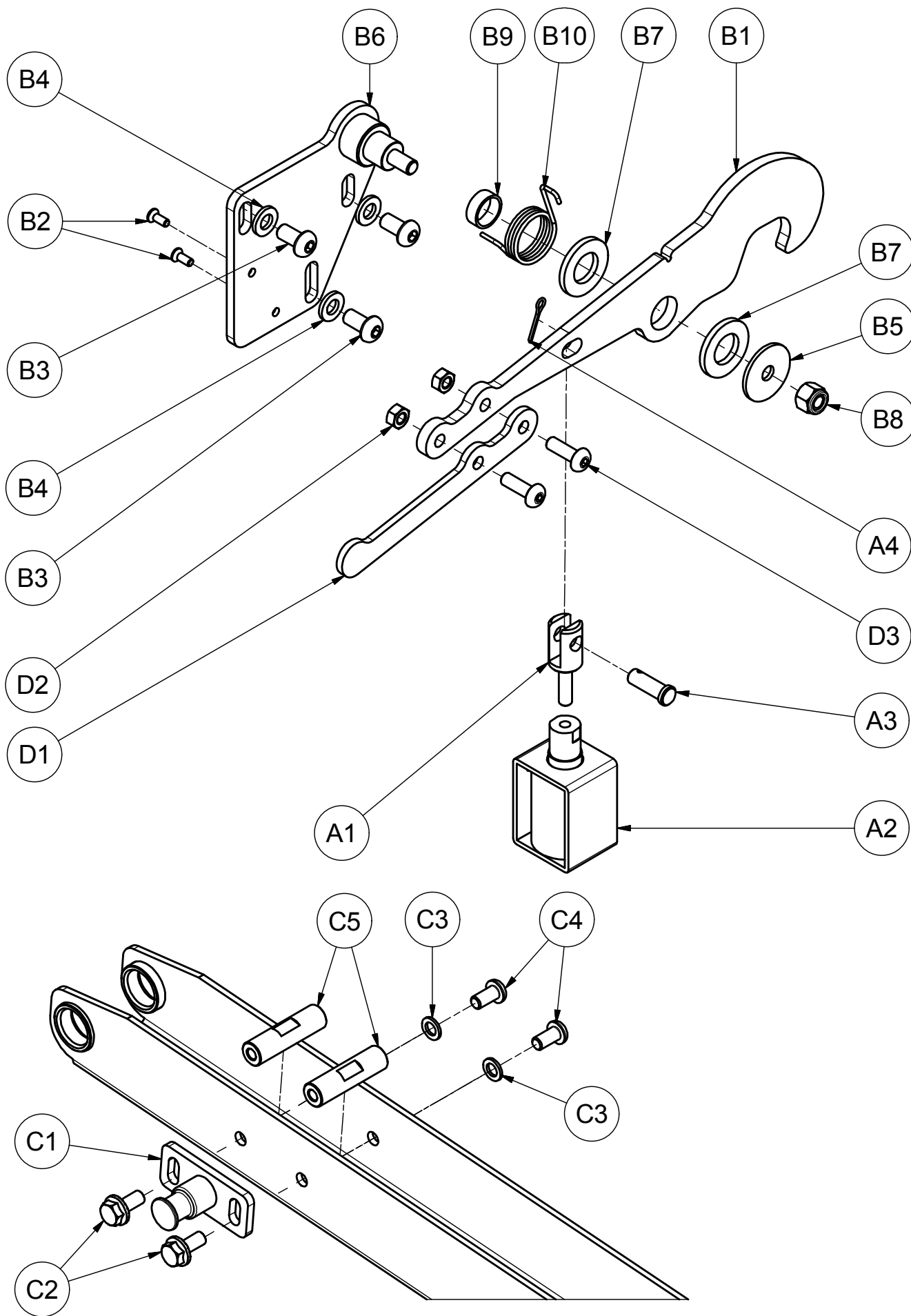
KIT2070 : ELECTROMAGNET KIT					
Pos.	Q.tà	Code	Descrizione	Description	NOTE
A1	1	FOR0005	FORCELLA	FORK	
A2	1	CAB0197	ELETTROMAGNETE	ELECTROMAGNET	
A3	1	PER0362	PERNO	PIN OF FORK	
A4	1	VIT0205	COPIGLIA	BLOCK	

KIT2075 : SAFETY HOOK LEFT					
Pos.	Q.tà	Code	Descrizione	Description	NOTE
B1	1	LAS2188	GANCIO	BLOCK	
B2	2	VIT0077	Vite TSPEI M3 x 5	SCREW TSPEI M3X5	
B3	3	VIT0141	Vite TBEI M6X12	SCREW TBEI M6X12	
B4	3	RON0002	RONDELLA Ø6	WASHER Ø6	
B5	1	RON0034	RONDELLA Ø6	WASHER Ø6	
B6	1	ASM1591	SUPPORTO	SUPPORT BLOCK	
B7	2	RON0039	RONDELLA Ø12	WASHER Ø12	
B8	1	DAD0032	Dado M6	NUT M6	
B9	1	BOC0299	BOCCOLA	BUSH	
B10	1	MOL0072	Molla	SPRING	

KIT2076 : SAFETY HOOK RIGHT					
Pos.	Q.tà	Code	Descrizione	Description	NOTE
B1	1	LAS2188	GANCIO	BLOCK	
B2	2	VIT0077	Vite TSPEI M3 x 5	SCREW TSPEI M3X5	
B3	3	VIT0141	Vite TBEI M6X12	SCREW TBEI M6X12	
B4	3	RON0002	RONDELLA Ø6	WASHER Ø6	
B5	1	RON0034	RONDELLA Ø6	WASHER Ø6	
B6	1	ASM1592	SUPPORTO	SUPPORT BLOCK	
B7	2	RON0039	RONDELLA Ø12	WASHER Ø12	
B8	1	DAD0032	Dado M6	NUT M6	
B9	1	BOC0299	BOCCOLA	BUSH	
B10	1	MOL0072	Molla	SPRING	

KIT2080 : PIN FOR SAFETY HOOK					
Pos.	Q.tà	Code	Descrizione	Description	NOTE
C1	1	ASM1590	PERNO	PIN	
C2	2	VIT0210	VITE TE F M8x18	SCREW TE M8X18	
C3	2	RON0001	RONDELLA Ø8	WASHER Ø8	
C4	2	VIT0143	VITE TBEI M8x16	SCREW TBEI M8X16	
C5	2	PER2023	PERNO DISTANZIALE	SPACER PIN	

ALSO INCLUDED IN THE DOOR OPEN KIT					
Pos.	Q.tà	Code	Descrizione	Description	NOTE
D1	1	LAS2189	PROLUNGA GANCIO	EXTENSION BLOCK	
D2	2	DAD0025	DADO M5	NUT M5	
D3	2	VIT0197	VITE TBEI M5X16	SCREW TBEI M5X16	



OUTER ARM FRAME - LEFT SIDE					P80 MODEL
Pos.	Q.tà	Code	Descrizione	Description	NOTE
A1	1	ASM1259	BRACCIO VERTICALE	VERTICAL ARM	LEFT
A2	2	BOC0016	BOCCOLA	BUSH	

OUTER ARM FRAME - LEFT SIDE					P75 MODEL
Pos.	Q.tà	Code	Descrizione	Description	NOTE
A1	1	ASM1260	BRACCIO VERTICALE	VERTICAL ARM	LEFT
A2	2	BOC0016	BOCCOLA	BUSH	

KIT2085 : FROG LIGHT KIT					
Pos.	Q.tà	Code	Descrizione	Description	NOTE
B1	1	COP0081	CARTER DX	RIGHT COVER	
B2	2	CAB0172	FARO LED	FROG LIGHT	
B3	1	COP0082	CARTER SX	LEFT COVER	
B4	4	VIT0185	VITE TBEI M5X8	SCREW TBEI M5X8	

KIT2091 : PIVOT PINS KIT					
Pos.	Q.tà	Code	Descrizione	Description	NOTE
C1	6	PER0015	PERNO Ø20	PIN Ø20	
C2	16	RON0030	RONDELLA Ø8	WASHER Ø8	
C3	16	#500426	VITE TE M8x14	SCREW TE M8X14	
C4	2	PER0313	PERNO Ø15	PIN Ø15	

KIT2560 : ARMS PANEL P80			KIT2752 : ARMS PANEL P75		
Pos.	Q.tà	Code	Description	Code	Description
D1	2	PAN0050	LEFT PANEL	PAN0062	LEFT PANEL
D2	2	PAN0049	RIGHT PANEL	PAN0061	RIGHT PANEL
D3	20	VIT0185	SCREW TBEI M5X8	VIT0185	SCREW TBEI M5X8

KIT2565 : STRIP LEDS LIGHT					
Pos.	Q.tà	Code	Descrizione	Description	NOTE
E1	2	CAB0077	LUCE	SQUARE LIGHT	
E3	4	VIT0056	VITE TBTC M3x10	SCREW TBTC M3X10	

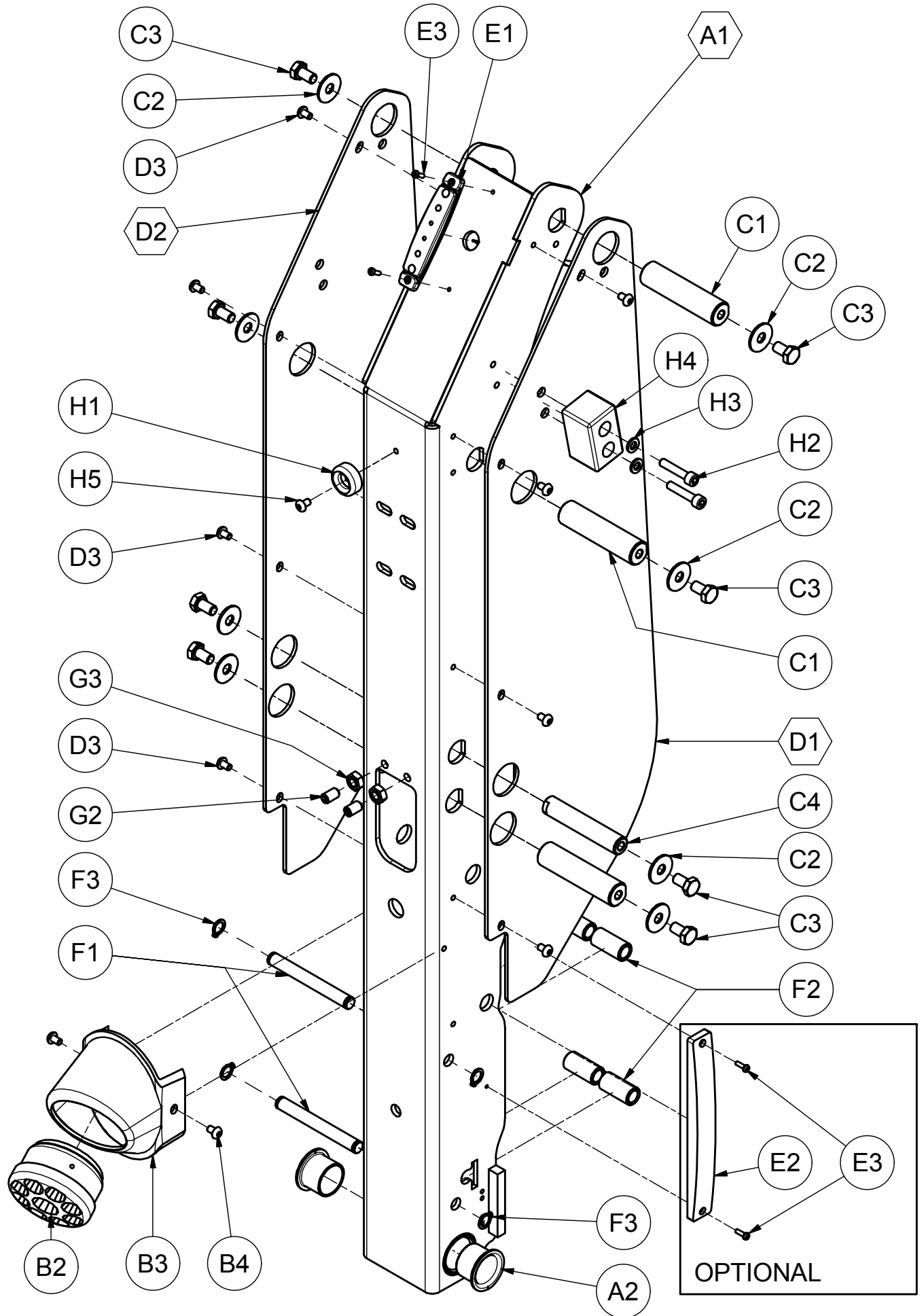
KIT2105 : HANDRAIL ADJUSTER BOLTS					
Pos.	Q.tà	Code	Descrizione	Description	NOTE
F1	4	PER0020	PERNO MOLLA	SPRING PIN	
F2	8	RUO0007	RUOTA DISTANZIALE	SPACER WHEEL	
F3	8	501382	SEEGER	CIRCLIP	

KIT2110 : PLATFORM AND HANDRAILS BUFFERS KIT					
Pos.	Q.tà	Code	Descrizione	Description	NOTE
G1	4	DAD0035	DADO M8	NUT M8	
G2	4	DAD0040	GRANO M8X14 PP	GRUB M8	

KIT2115 : BUFFER KIT					
Pos.	Q.tà	Code	Descrizione	Description	NOTE
H1	2	#550887	TAMPONE	ROUND BUFFER	
H2	4	#501749	VITE TCEI M6X25	SCREW TCEI M6X25	
H3	4	RON0002	RONDELLA Ø6	WASHER Ø6	
H4	2	551314	TAMPONE	BUFFER	
H5	2	VIT0185	VITE TBEI M5X8	SCREW TBEI M5X8	

KIT2562 : END RUN KIT (LEFT)					
Pos.	Q.tà	Code	Descrizione	Description	NOTE
M1	1	ASM1247	FINE CORSA	END RUN	LEFT
M2	1	RUO0011	RUOTA	WHEEL	
M3	2	#502880	VITE TBEI M8X25	SCREW TBEI M8X25	
M4	1	#501878	VITE TBEI M6X10	SCREW TBEI M6X10	
M5	1	RON0034	RONDELLA	WASHER	

KIT2566 : LED LIGHT KIT - OPTIONAL					
Pos.	Q.tà	Code	Descrizione	Description	NOTE
L1	1	CAB0184	LED	LED LIGHT	
L2	2	VIT0056	VITE TBTC M3X10	SCREW TBTC M3X10	



OUTER ARM FRAME - RIGHT SIDE					P80 MODEL
Pos.	Q.tà	Code	Descrizione	Description	NOTE
A1	1	ASM1258	BRACCIO VERTICALE	VERTICAL ARM	RIGHT
A2	2	BOC0016	BOCCOLA	BUSH	

OUTER ARM FRAME - RIGHT SIDE					P75 MODEL
Pos.	Q.tà	Code	Descrizione	Description	NOTE
A1	1	ASM1260	BRACCIO VERTICALE	VERTICAL ARM	RIGHT
A2	2	BOC0016	BOCCOLA	BUSH	

KIT2085 : FROG LIGHT KIT					
Pos.	Q.tà	Code	Descrizione	Description	NOTE
B1	1	COP0081	CARTER DX	RIGHT COVER	
B2	2	CAB0172	FARO LED	FROG LIGHT	
B3	1	COP0082	CARTER SX	LEFT COVER	
B4	4	VIT0185	VITE TBEI M5X8	SCREW TBEI M5X8	

KIT2091 : PIVOT PINS KIT					
Pos.	Q.tà	Code	Descrizione	Description	NOTE
C1	6	PER0015	PERNO Ø20	PIN Ø20	
C2	16	RON0030	RONDELLA Ø8	WASHER Ø8	
C3	16	#500426	VITE TE M8x14	SCREW TE M8X14	
C4	2	PER0313	PERNO Ø15	PIN Ø15	

KIT2560 : ARMS PANEL P80				KIT2752 : ARMS PANEL P75	
Pos.	Q.tà	Code	Description	Code	Description
D1	2	PAN0050	LEFT PANEL	PAN0062	LEFT PANEL
D2	2	PAN0049	RIGHT PANEL	PAN0061	RIGHT PANEL
D3	20	VIT0185	SCREW TBEI M5X8	VIT0185	SCREW TBEI M5X8

KIT2565 : STRIP LEDS LIGHT					
Pos.	Q.tà	Code	Descrizione	Description	NOTE
E1	2	CAB0077	LUCE	SQUARE LIGHT	
E3	4	VIT0056	VITE TBTC M3x10	SCREW TBTC M3X10	

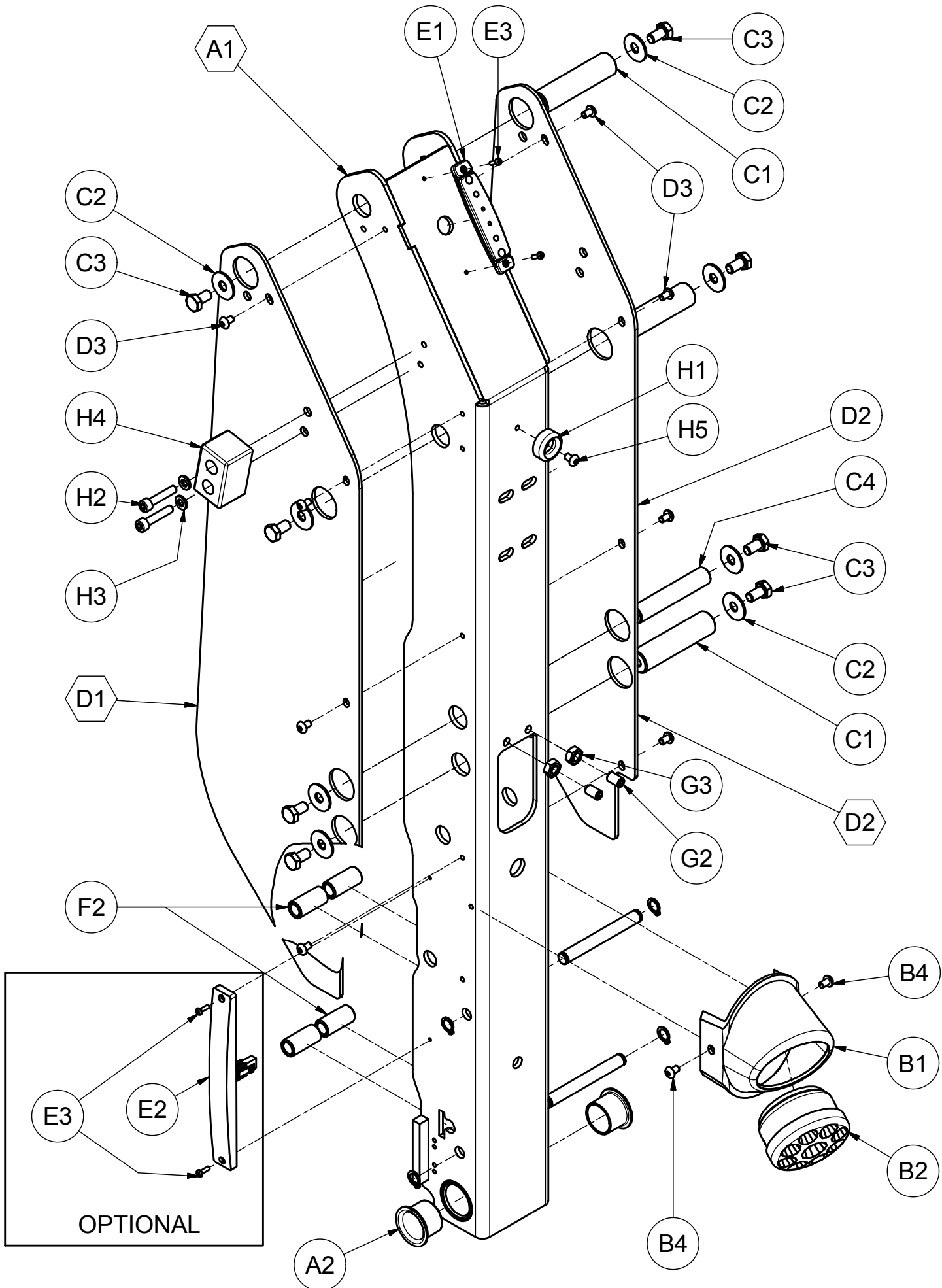
KIT2105 : HANDRAIL ADJUSTER BOLTS					
Pos.	Q.tà	Code	Descrizione	Description	NOTE
F1	4	PER0020	PERNO MOLLA	SPRING PIN	
F2	8	RUO0007	RUOTA DISTANZIALE	SPACER WHEEL	
F3	8	501382	SEEGER	CIRCLIP	

KIT2110 : PLATFORM AND HANDRAILS BUFFERS KIT					
Pos.	Q.tà	Code	Descrizione	Description	NOTE
G1	4	DAD0035	DADO M8	NUT M8	
G2	4	DAD0040	GRANO M8X14 PP	GRUB M8	

KIT2115 : BUFFER KIT					
Pos.	Q.tà	Code	Descrizione	Description	NOTE
H1	2	#550887	TAMPONE	ROUND BUFFER	
H2	4	#501749	VITE TCEI M6X25	SCREW TCEI M6X25	
H3	4	RON0002	RONDELLA Ø6	WASHER Ø6	
H4	2	551314	TAMPONE	BUFFER	
H5	2	VIT0185	VITE TBEI M5X8	SCREW TBEI M5X8	

KIT2563 : END RUN KIT (RIGHT)					
Pos.	Q.tà	Code	Descrizione	Description	NOTE
M1	1	ASM1248	FINE CORSA	END RUN	RIGHT
M2	1	RUO0011	RUOTA	WHEEL	
M3	2	#502880	VITE TBEI M8X25	SCREW TBEI M8X25	
M4	1	#501878	VITE TBEI M6X10	SCREW TBEI M6X10	
M5	1	RON0034	RONDELLA	WASHER	

KIT2566 : LED LIGHT KIT - OPTIONAL					
Pos.	Q.tà	Code	Descrizione	Description	NOTE
L1	1	CAB0184	LED	LED LIGHT	
L2	2	VIT0056	VITE TBTC M3X10	SCREW TBTC M3X10	



KIT2570 : TELESCOPIC KIT LEFT					P80
Pos.	Q.tà	Code	Descrizione	Description	NOTE
A2	1	ASM1170	STELO GINOCC.	KNEE ASSEMBLY	
A3	1	ASM1178	CAMICIA SX	TELESCOPIC PIPE	
A4	1	BOC0237	BOCCOLA	BUSH	

KIT2575 : TELESCOPIC KIT RIGHT					P80
Pos.	Q.tà	Code	Descrizione	Description	NOTE
A1	1	ASM1169	CAMICIA DX	TELESCOPIC PIPE	
A2	1	ASM1170	STELO GINOCC.	KNEE ASSEMBLY	
A4	1	BOC0237	BOCCOLA	BUSH	

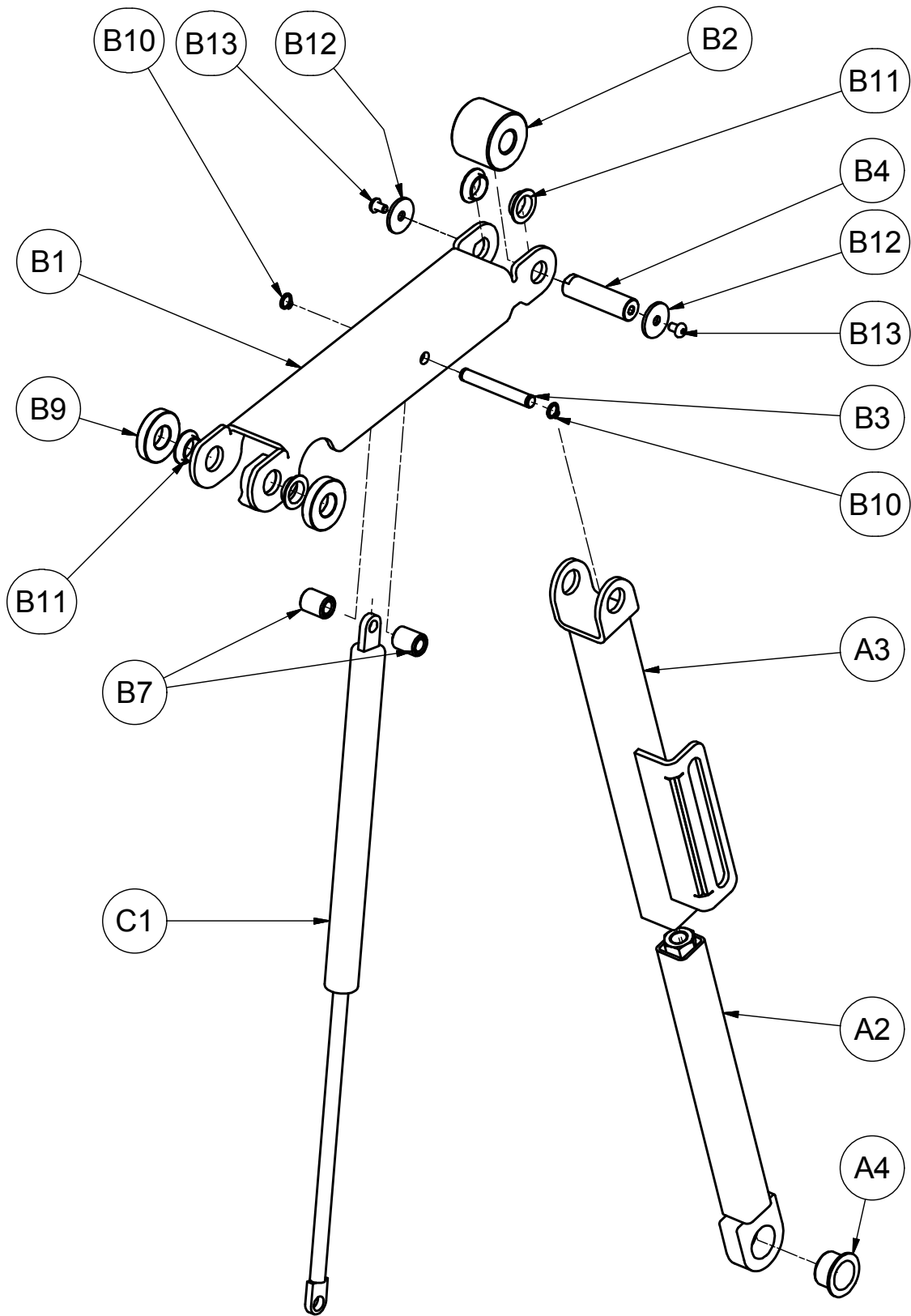
KIT2755 : TELESCOPIC KIT LEFT					P75
Pos.	Q.tà	Code	Descrizione	Description	NOTE
A2	1	ASM0688	STELO GINOCC.	KNEE ASSEMBLY	
A3	1	ASM1758	CAMICIA SX	TELESCOPIC PIPE	
A4	1	BOC0237	BOCCOLA	BUSH	

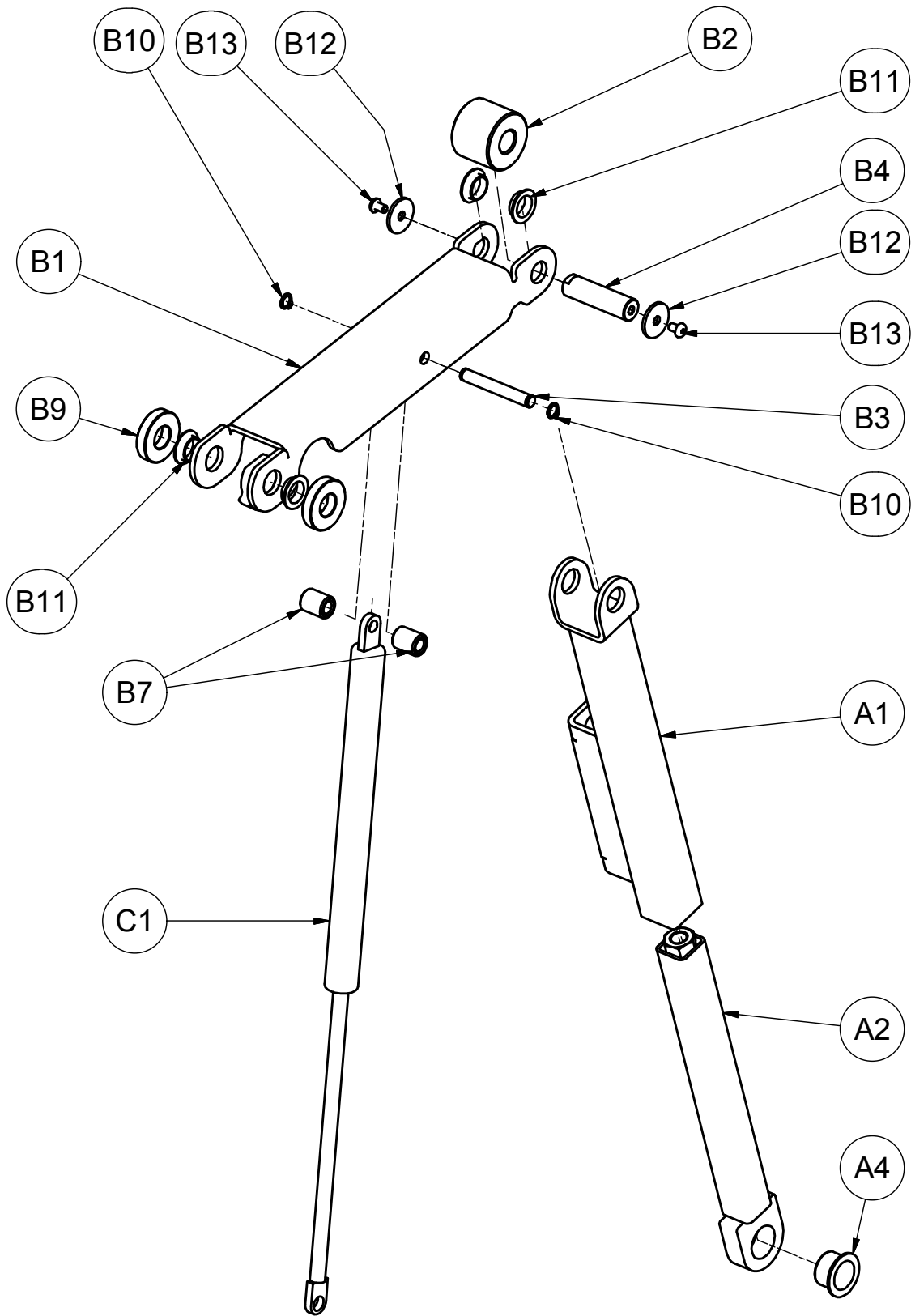
KIT2760 : TELESCOPIC KIT RIGHT					P75
Pos.	Q.tà	Code	Descrizione	Description	NOTE
A1	1	ASM1757	CAMICIA DX	TELESCOPIC PIPE	
A2	1	ASM0688	STELO GINOCC.	KNEE ASSEMBLY	
A4	1	BOC0237	BOCCOLA	BUSH	

KIT2765 : ROTATIONAL STOWAGE ARM KIT					P80
Pos.	Q.tà	Code	Descrizione	Description	NOTE
B1	1	ASM1260	GINOCCHIERA	KNEE ASSEMBLY	
B2	1	RUO0004	RUOTA GINOCC.	WHEEL	
B3	1	PER0019	PERNO MOLLA	SPRING PIN	
B4	1	PER0014	PERNO Ø15	PIN Ø15	
B7	2	RUO0006	RUOTA DISTANZIALE	SPACER WHEEL	
B10	2	RON0050	SEEGER	CIRCLIP	
B11	2	BOC0024	BOCCOLA	BUSH	
B12	2	RON0030	RONDELLA Ø8	WASHER Ø8	
B13	2	#500426	VITE TE M8X14	SCREW TE M8X14	

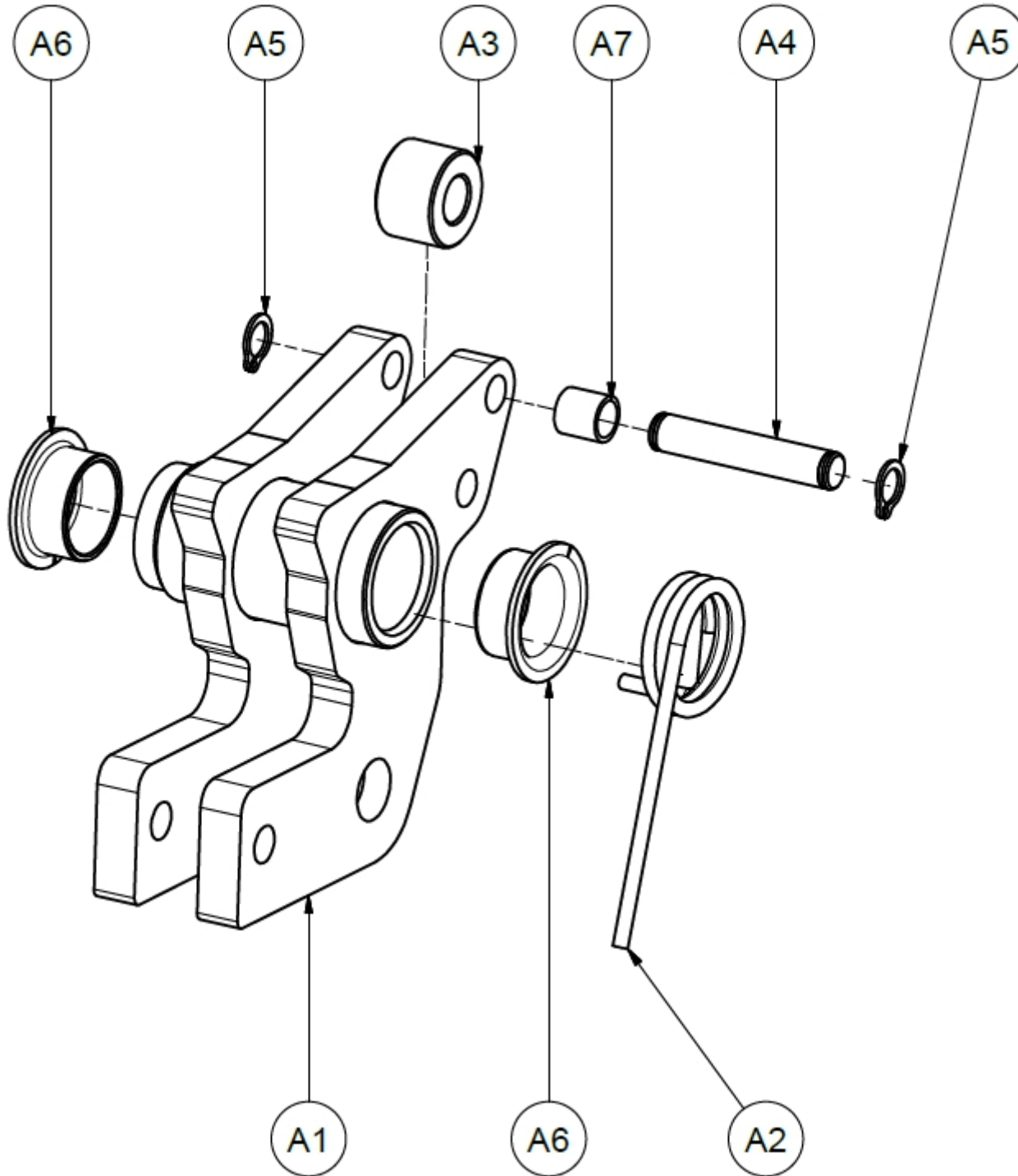
KIT2770 : ROTATIONAL STOWAGE ARM KIT					P75
Pos.	Q.tà	Code	Descrizione	Description	NOTE
B1	1	ASM1577	GINOCCHIERA	KNEE ASSEMBLY	
B2	1	RUO0004	RUOTA GINOCC.	WHEEL	
B3	1	PER0019	PERNO MOLLA	SPRING PIN	
B4	1	PER0014	PERNO Ø15	PIN Ø15	
B7	2	RUO0006	RUOTA DISTANZIALE	SPACER WHEEL	
B10	2	RON0050	SEEGER	CIRCLIP	
B11	2	BOC0024	BOCCOLA	BUSH	
B12	2	RON0030	RONDELLA Ø8	WASHER Ø8	
B13	2	#500426	VITE TE M8X14	SCREW TE M8X14	

Pos.	Q.tà	Code	Descrizione	Description	NOTE
C1	1	MOL0013	MOLLA GAS	GAS SPRING	





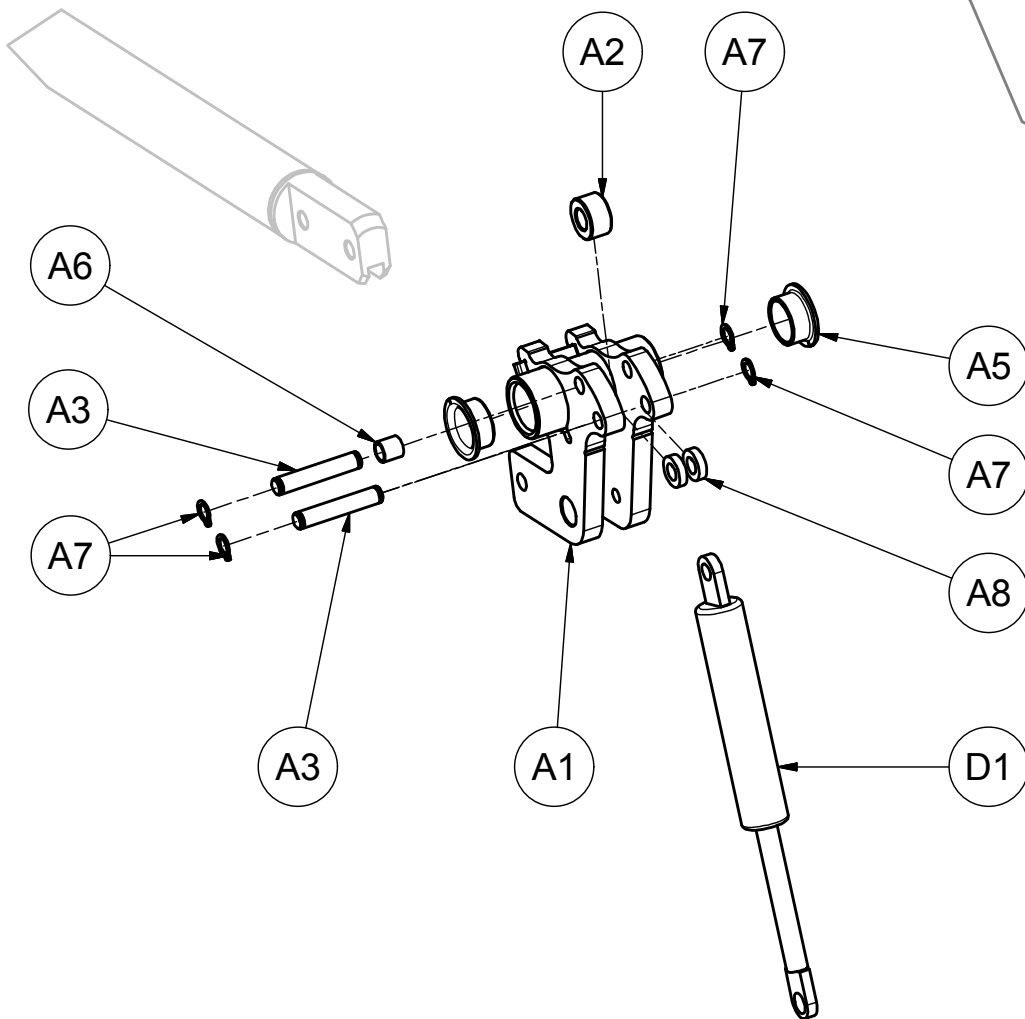
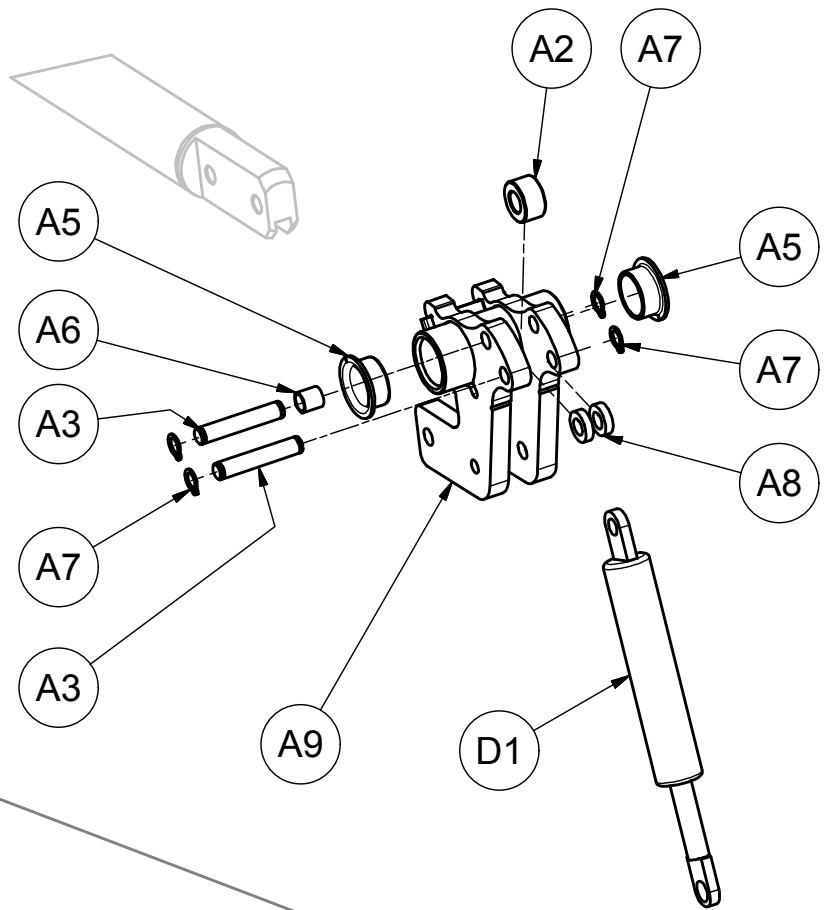
KIT2141 : KNUCKLE JOINTS HANDRAILS KIT - P75					
Pos.	Q.tà	Code	Descrizione	Description	NOTE
A1	2	ASM1525	SUPPORTO MAN.DX	HANDRAIL SUPPORT	
A2	2	MOL0077	MOLLA	SPRING	
A3	2	RUO0098	RUOTA	SPACER WHEEL	
A4	2	PER0013	PERNO MOLLA	SPRING PIN	
A5	4	RON0050	SEEGER	CIRCLIP	
A6	4	BOC0023	BOCCOLA	BUSH	
A7	2	551095	BOCCOLA	BUSH	



KIT2140 : KNUCKLE JOINTS HANDRAILS KIT - P80					
Pos.	Q.tà	Code	Descrizione	Description	NOTE
A1	1	ASM1506	SUPPORTO MAN.DX	HANDRAIL SUPPORT	RIGHT
A2	2	RUO0003	RUOTA	SPACER WHEEL	
A3	4	PER0013	PERNO MOLLA	SPRING PIN	
A5	4	BOC0023	BOCCOLA	BUSH	
A6	2	551095	BOCCOLA	BUSH	
A7	8	RON0050	SEEGER	CIRCLIP	
A8	4	RUO0099	RUOTA MOLLA	SPRING WHEEL	
A9	1	ASM1507	SUPPORTO MAN. SX	HANDRAIL SUPPORT	LEFT

KIT2155 : HANDRAILS SPRING KIT					
Pos.	Q.tà	Code	Descrizione	Description	NOTE
D1	2	MOL0026	MOLLA	SPRING	

LEFT SIDE



RIGHT SIDE

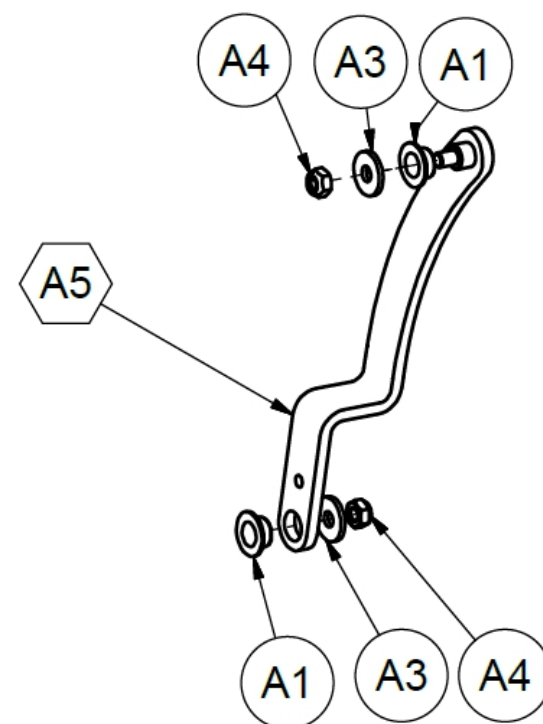
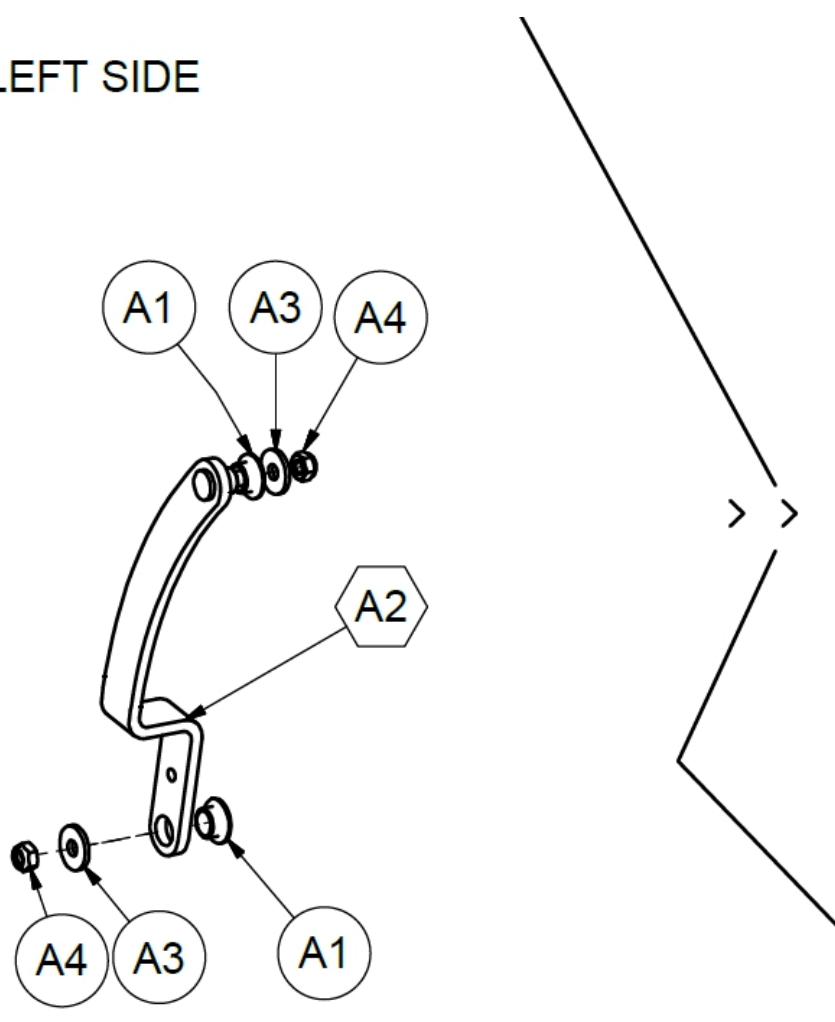
KIT2775 : INNER BARRIER LINKAGE KIT RIGHT					P75
Pos.	Q.tà	Code	Descrizione	Description	NOTE
A1	1	ASM0460	BIELLA DX	RIGHT ROD	
A2	4	551268	RONDELLA F.L.	LARGE WASHER	
A3	2	BOC0021	BOCCOLA	BUSH	
A4	2	#551266	DADO	NUT	

KIT2780 : INNER BARRIER LINKAGE KIT LEFT					P75
Pos.	Q.tà	Code	Descrizione	Description	NOTE
A5	1	ASM0459	BIELLA SX	LEFT ROD	
A2	4	551278	RONDELLA F.L.	LARGE WASHER	
A3	2	BOC0021	BOCCOLA	BUSH	
A4	2	#551266	DADO	NUT	

KIT2785 : INNER BARRIER LINKAGE KIT RIGHT					P80
Pos.	Q.tà	Code	Descrizione	Description	NOTE
A1	1	ASM1265	BIELLA DX	RIGHT ROD	
A2	4	551268	RONDELLA F.L.	LARGE WASHER	
A3	2	BOC0021	BOCCOLA	BUSH	
A4	2	#551266	DADO	NUT	

KIT2790 : INNER BARRIER LINKAGE KIT LEFT					P80
Pos.	Q.tà	Code	Descrizione	Description	NOTE
A5	1	ASM1264	BIELLA SX	LEFT ROD	
A2	4	551278	RONDELLA F.L.	LARGE WASHER	
A3	2	BOC0021	BOCCOLA	BUSH	
A4	2	#551266	DADO	NUT	

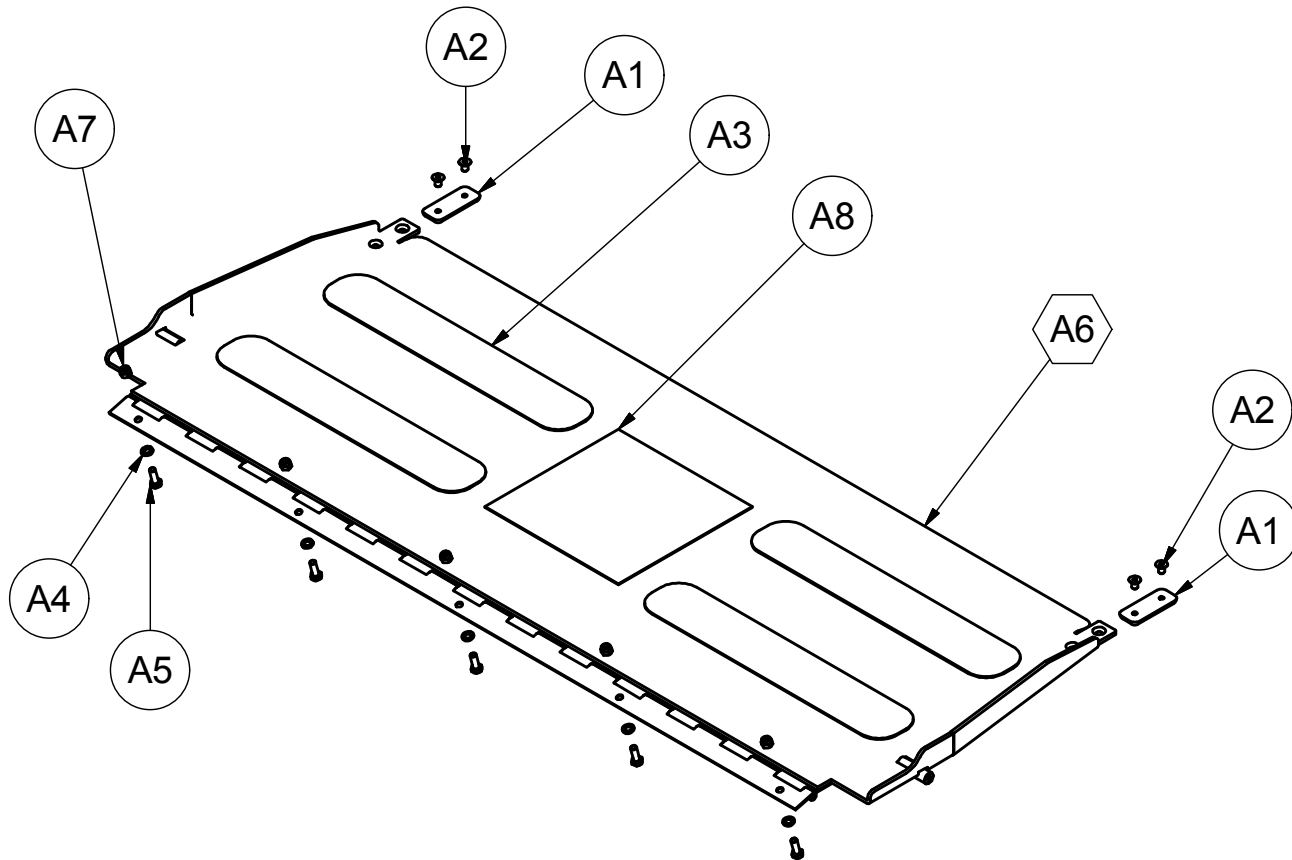
LEFT SIDE



RIGHT SIDE

KIT2795 : INNER BARRIER KIT					P 75 MODEL
Pos.	Q.tà	Code	Descrizione	Description	NOTE
A1	2	TAM0005	TAMPONE	SPACER	
A2	4	VIT0037	VITE TSPEI M5X8	SCREW TPSEI M5X8	
A3	4	RTO0043	SAFETY-GRIP	SAFETY GRIP	
A4	5	501476	Rondella Ø5	WASHER	
A5	5	VIT0026	VITE TE M5x14	SCREW TE M5X14	
A6	1	ASM1619	RIBALTA	INTERNAL FLAP	
A7	5	501137	DADO	NUT	
A8	1	#E499107	ADESIVO RIBALTA	ADVISER STICKER	

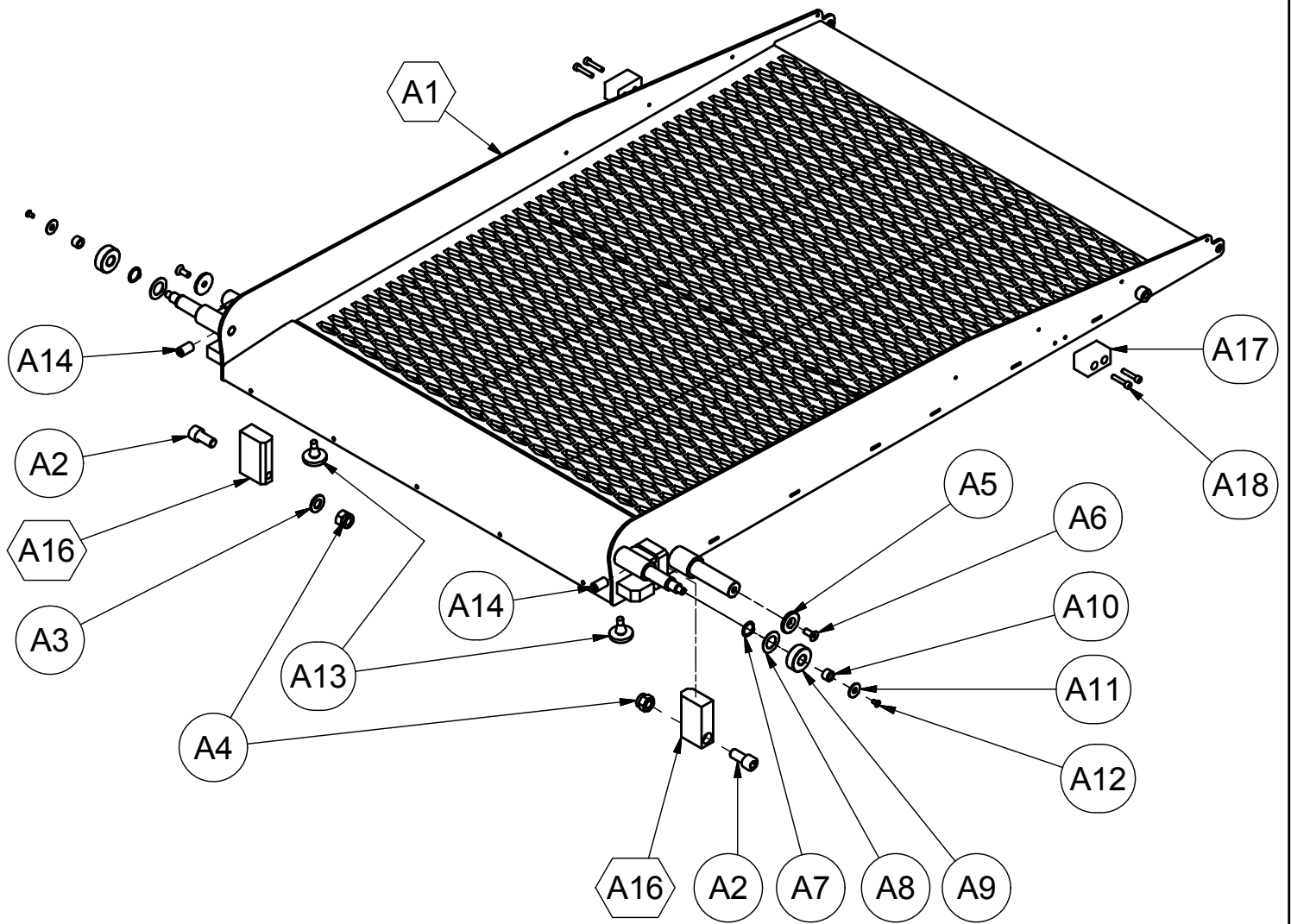
KIT2800 : INNER BARRIER KIT					P 80 MODEL
Pos.	Q.tà	Code	Descrizione	Description	NOTE
A1	2	TAM0005	TAMPONE	SPACER	
A2	4	VIT0037	VITE TSPEI M5X8	SCREW TPSEI M5X8	
A3	4	RTO0043	SAFETY-GRIP	SAFETY GRIP	
A4	5	501476	Rondella Ø5	WASHER	
A5	5	VIT0026	VITE TE M5x14	SCREW TE M5X14	
A6	1	ASM1424	RIBALTA	INTERNAL FLAP	
A7	5	501137	DADO	NUT	
A8	1	#E499107	ADESIVO RIBALTA	ADVISER STICKER	



KIT2805 : PLATFORM FIXING KIT					
Pos.	Q.tà	Code	Descrizione	Description	NOTE
A2	2	501810	VITE TCEI M14X30	SCREW M14X30	
A3	2	501482	RONDELLA	WASHER	
A4	2	#501157	DADO	NUT	
A5	2	RON0004	RONDELLA	WASHER	
A6	2	#502160	VITE TSPEI M8X20	SCREW TSPEI M8X20	
A7	2	501392	SEEGER	CIRCLIP	
A8	2	#C402013	RASAMENTO	WASHER	
A9	2	RUO0011	RUOTA	WHEEL	
A10	2	BOC0029	BOCCOLA	BUSH	
A11	2	#501490	RONDELLA LARGA	LARGE WASHER	
A12	2	VIT0024	VITE TSPEI M5X10		
A13	2	TAP0006	TAPPO	SPACER	
A14	2	VIT0191	GRANO	GRUB SCREW	
A16	2	PIA0185	REGISTRO	BLOCK	
A17	2	551314	TAMPONE	SPACER	
A18	4	#501749	VITE TCEI M6X25	SCREW TCEI M6X25	

KIT2810 : FULL ASSEMBLY PLATFORM KIT					
A1	1	ASM1618	PEDANA	PLATFORM	P75
	1	KIT2805	COMP. PEDANA	PLATFORM KIT	

KIT2815 : FULL ASSEMBLY PLATFORM KIT					
A1	1	ASM1422	PEDANA	PLATFORM	P80
	1	KIT2805	COMP. PEDANA	PLATFORM KIT	



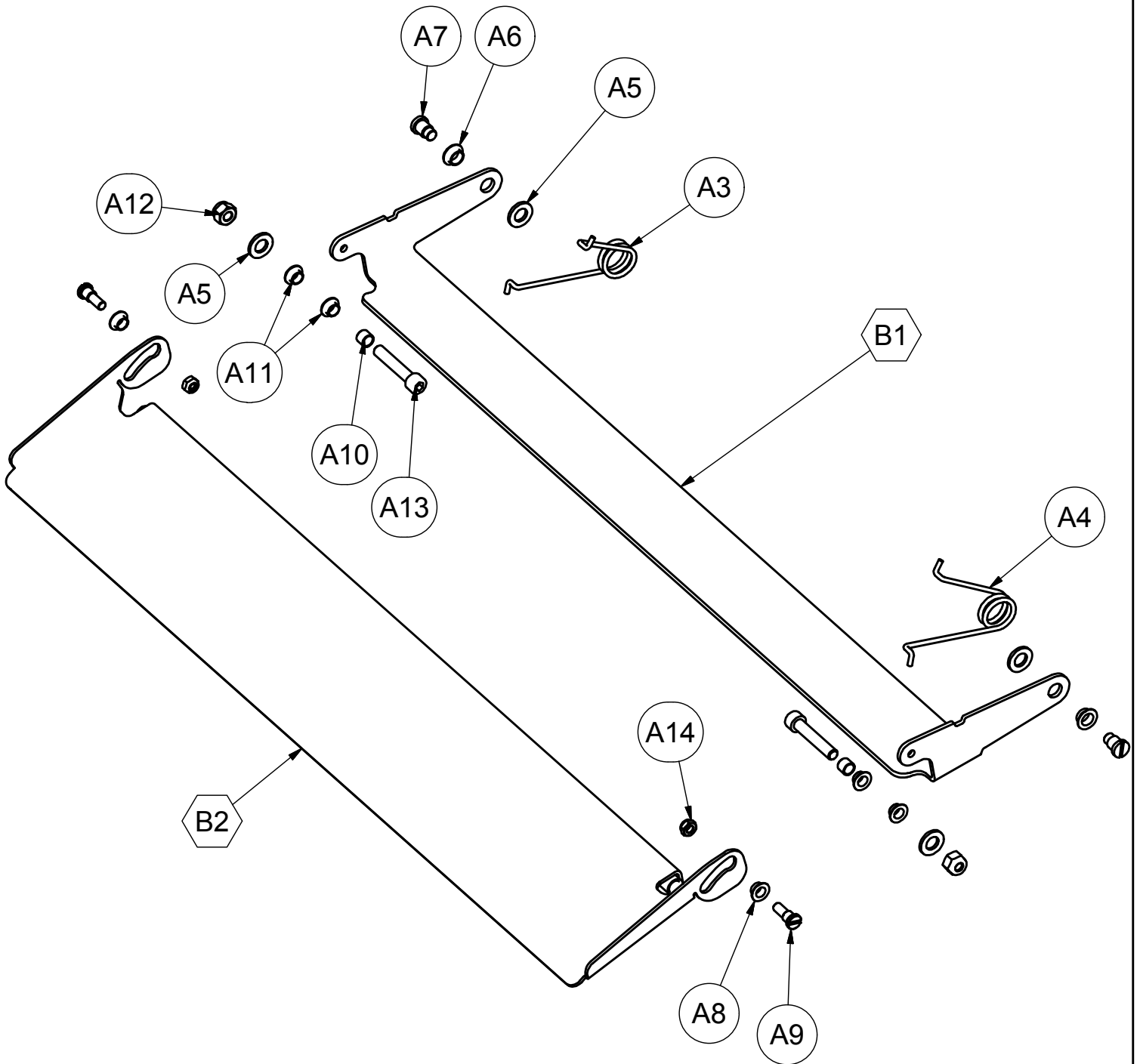
KIT2820 : FRONT FLAP KIT					P75 MODEL
Pos.	Q.tà	Codice	Descrizione	Description	NOTE
B1	1	ASM1620	RIBALTA ESTERNA	OUTER BARRIER	
B2	4	LAS2257	APPOGGIO	SUPPORT	

KIT2825 : FRONT FLAP KIT					P80 MODEL
Pos.	Q.tà	Codice	Descrizione	Description	NOTE
B1	1	ASM1423	RIBALTA ESTERNA	OUTER BARRIER	
B2	4	LAS1863	APPOGGIO	SUPPORT	

KIT2830 : MAIN FRAME FRONT FLAP KIT					
Pos.	Q.tà	Codice	Descrizione	Description	NOTE
A3	1	#E406079	MOLLA SX	LEFT SPRING	
A4	1	#E406078	MOLLA DX	RIGHT SPRING	
A5	4	501481	RONDELLA	WASHER	
A6	2	#E502534	BOCCOLA	BUSH	
A7	2	#C400708	PERNO	PIN	
A8	2	502526	BOCCOLA	BUSH	
A9	2	#E406065	PERNO	PIN	
A10	2	502537	BOCCOLA	BUSH	
A11	4	BOC0021	BOCCOLA	BUSH	
A12	2	501143	DADO	NUT	
A13	2	501787	VITE TCEI M10X55	SCREW TCEI M10X55	
A14	2	501141	DADO	NUT	

KIT2835 : ASSEMBLY FRONT FLAP KIT					P75 MODEL
Pos.	Q.tà	Code	Descrizione	Description	NOTE
	1	KIT2820	RIBALTA ESTERNA	FRONT FLAP KIT	
	1	KIT2830	COMPONENTI RIB. ESTERNA	MAIN FRAME KIT	

KIT2840 : ASSEMBLY FRONT FLAP KIT					P80 MODEL
Pos.	Q.tà	Code	Descrizione	Description	NOTE
	1	KIT2825	RIBALTA ESTERNA	FRONT FLAP KIT	
	1	KIT2830	COMPONENTI RIB. ESTERNA	MAIN FRAME KIT	



KIT2266 : SUCTION TUBE KIT					
B1	1	FIL0005	FILTRO 3/8	FILTER	

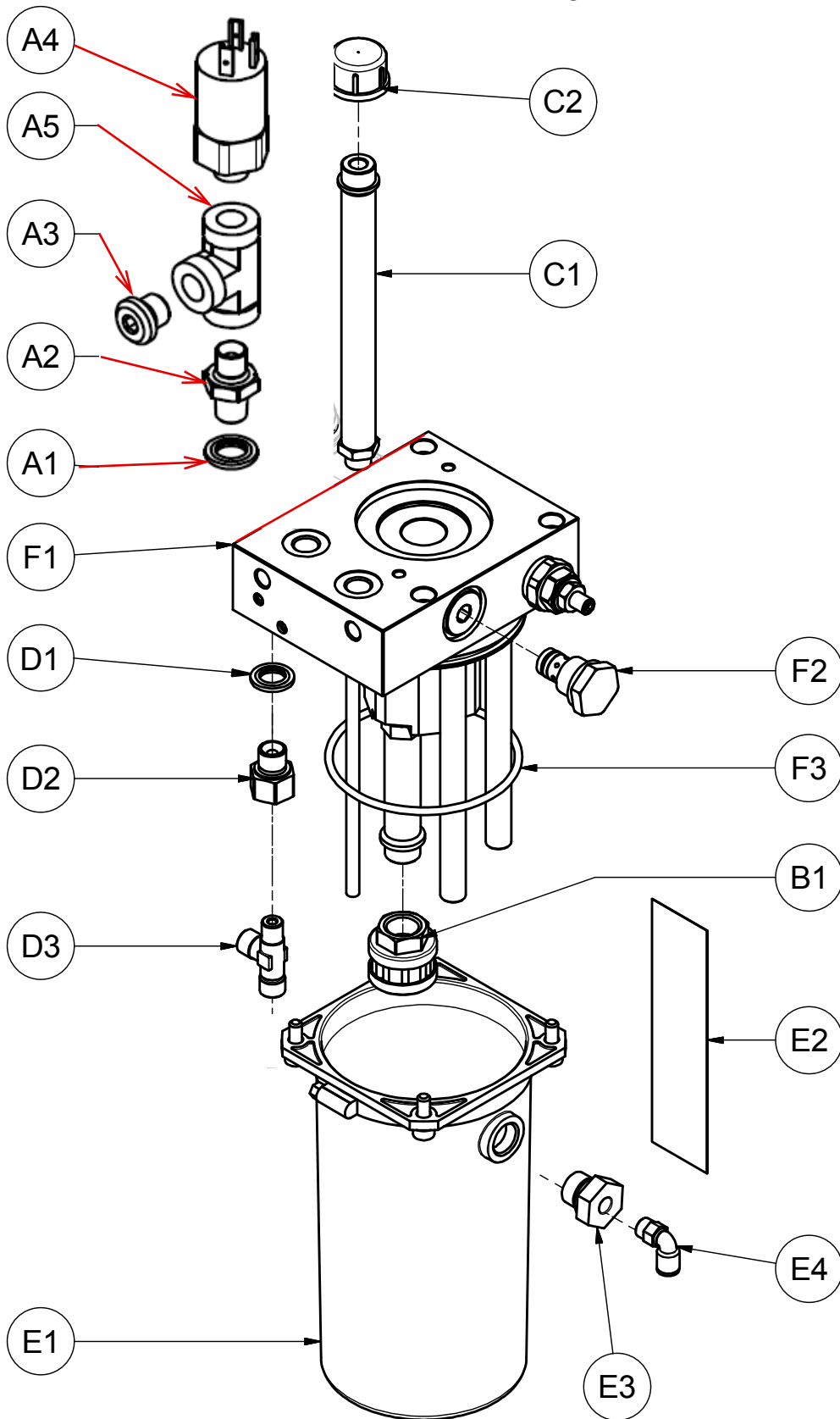
KIT2270 : OIL FILLING HOSE KIT (USE ONLY FOR LEFT VERSION)					
Pos.	Q.tà	Codice	Descrizione	Description	NOTE
C1	1	TID0287	CARICAMENTO OLIO	REFILL OIL	
C2	1	TAP0060	TAPPO	FILLER CUP	

KIT2665 : PRESSURE SWITCH KIT					
Pos.	Q.tà	Codice	Descrizione	Description	NOTE
A1	1	550805	RONDELLA 1/4"	WASHER 1/4	
A2	1	RAC0014	RACCORDO	FITTING	
A3	1	550397	TAPPO	CUP	
A4	1	INT0005	PRESSOSTATO	PRESSUR SWITCH	
A5	1	RAC0013	RACCORDO	FITTING	

KIT2670 : EXTERNAL HYDRAULIC FITTING KIT					
Pos.	Q.tà	Codice	Descrizione	Description	NOTE
D1	1	550805	RONDELLA 1/4"	WASHER 1/4	
D2	1	RAC0031	RACCORDO 1/4M -1/8F	FITTING 1/4-1/8	
D3	1	RAC0018	RACC. T. 90° Ø6-Ø6	FITTING 90°- Ø6-Ø6	

KIT2281 : TANK KIT					
Pos.	Q.tà	Codice	Descrizione	Description	NOTE
E1	1	SER0009	SERBATOIO	PLASTIC TANK	1,5L
E2	1	TAR0057	LIVELLO OLIO	OIL LEVEL STICKER	
E3	1	551242	RACC. 3/8M-1/8F	FITTING 3/8-1/8	
E4	1	550278	RACCORDO 90° 1/8"G	FITTING 90° 1/8	

KIT2282 : MANIFOLD KIT					
Pos.	Q.tà	Codice	Descrizione	Description	NOTE
F1	1	CID0106	POMPA IDRAULICA	HYDRAULIC PUMP	
F2	1	STR0015	STROZZATORE	RELIEF VALVE	
F3	1	GUA0053	GUARNIZIONE	O-RING	



KIT2285 : ELECTRIC MOTOR KIT					
Pos.	Q.tà	Code	Descrizione	Description	NOTE
A1	2	501503	RONDELLA GROW Ø6	WASHER Ø6	
A2	2	501747	VITE TCEI M6X20	SCREW TCEI M6X20	
A3	1	#551266	DADO	NUT	
A4	1	#550741	MOTORE ELETTRICO	ELECTRIC MOTOR	12V
A5	1	REL0001	TELERUTTORE	START SOLENOID	12V
A6	1	DAD0020	COLONNETTA	STUD	
A7	1	VIT0103	FASCETTA	HOSE CLAMP	
A8	2	KIT0043	KIT	ELECTRIC JUNCTION	

KIT2290 : HYDRAULIC UNIT MANIFOLD FIXING KIT					
Pos.	Q.tà	Codice	Descrizione	Description	NOTE
B1	2	501367	RONDELLA D.10	WASHER Ø10	
B2	2	501480	RONDELLA D.10	WASHER Ø10	
B3	2	500456	VITE TE M10x16	SCREW M10X16	

KIT2295 : FIXING KIT FOR BLACK PLATE POWER PACK					
Pos.	Q.tà	Codice	Descrizione	Description	NOTE
C1	3	TUB0097	DISTANZIALE	SPACER	
C2	3	501763	VITE TCEI M8X30	SCREW TCEI M8X30	
C3	1	PAS0001	PASSACAVO	RUBBER GROMMET	
C4	3	501479	RONDELLA	WASHER	

KIT2675 : COVER KIT AND FIXINGS (RIGHT)					
Pos.	Q.tà	Codice	Descrizione	Description	NOTE
D1	6	FIX0011	FISSAGGIO	FAST TURN FIX	
D2	6	VIT0119	PERNO FAST TURN	FAST TURN PIN	
D3	1	LAS1510	COPERCHIO CENTR.	COVER	RIGHT

KIT2680 : COVER KIT AND FIXINGS (LEFT)					
Pos.	Q.tà	Codice	Descrizione	Description	NOTE
D1	6	FIX0011	FISSAGGIO	FAST TURN FIX	
D2	6	VIT0119	PERNO FAST TURN	FAST TURN PIN	
D4	1	LAS1518	COPERCHIO CENTR.	COVER	LEFT

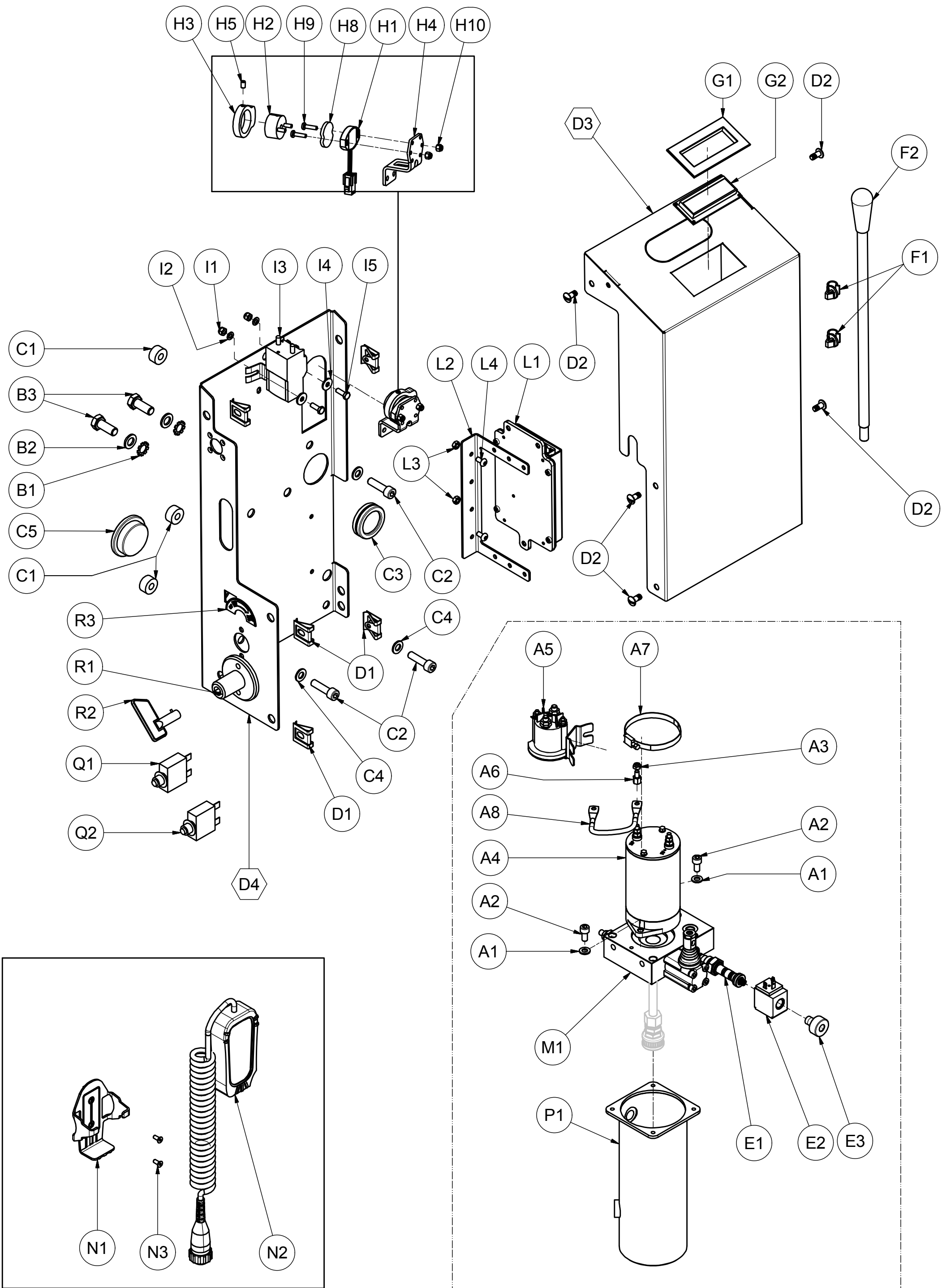
KIT2305 : LOWERING VALVE KIT					
Pos.	Q.tà	Codice	Descrizione	Description	NOTE
E1	1	#550334	VALVOLA	DOWN VALVE	
E2	1	550519	SOLENOIDE	DOWN COIL	
E3	1	TON0077	SBLOCCO ELETTRIC.	DOWN VALVE HANDLE	

KIT2310 : HAND PUMP ROD KIT					
Pos.	Q.tà	Codice	Descrizione	Description	NOTE
F1	1	#552358	FISSA ASTA	HANDLE SUPPORT	
F2	1	MAN0013	MANIGLIA	HANDLE SUPPORT	

KIT2315 : LCD DISPLAY KIT					
Pos.	Q.tà	Codice	Descrizione	Description	NOTE
G1	1	COP0092	COVER DISPLAY	LCD SCREEN MOUNT	
G2	1	SCH0067	LCD display	LCD display	
G3	4	#502003	VITE AUTOF. 2,9X4,5	SCREW 2,9X4,5	

Pos.	Q.tà	Codice	Descrizione	Description	NOTE
M1	1	KIT2282	POMPA	MANIFOLD KIT	
P1	1	KIT2281	SERBATOIO	TANK KIT	

KIT2356 : POWER PACK KIT					FP MODEL
Pos.	Q.tà	Codice	Descrizione	Description	
A(1...8)	1	KIT2285	GRUPPO ELETTRICO	ELECTRIC MOTOR KIT	
B(1...4)	1	KIT2290	FISSAGGIO	HYDRAULIC UNIT MANIFOLD FIXING KIT	
E(1...3)	1	KIT2305	VALVOLA DISCESA	LOWERING VALVE KIT	
M1	1	KIT2282	POMPA IDRAULICA	MANIFOLD KIT	
P1	1	KIT2281	SERBATOIO	TANK KIT	



KIT2325 : ROTARY SENSOR KIT					
Pos.	Q.tà	Codice	Descrizione	Description	NOTE
H1	1	CAB0102	SENSORE ANGOLARE	ANGULAR SENSOR	SEN0014
H2	1		MAGNETE	MAGNET	SEN0012
H3	1	LAS1780	CAMMA	CAM	
H4	1	LAS1779	SUPPORTO	SUPPORT	
H5	1	#501941	GRANO M5X8	GRUB M5X8	
H8	1	TAP0040	TAPPO X MAGNETE	MAGNET CAP	
H9	2	501203	VITE TCC M4x16	SCREW TCC M4X16	
H10	2	#501135	DADO M4	NUT M4	
H11	2	VIT0185	VITE TBEI M5x8	SCREW TBEI M5X8	

KIT2330 : ISOLATOR SOLENOID KIT					
Pos.	Q.tà	Codice	Descrizione	Description	NOTE
I1	2	501137	DADO M5	NUT M5	
I2	2	501476	RONDELLA Ø5	WASHER Ø5	
I3	1	REL0007	TELERUTT.14V	ISOLATOR SOLENOID	14V
I4	2	RON0005	RONDELLA Ø5 FL	WASHER Ø5 LARGE	
I5	2	VIT0026	VITE TE M5x14	SCREW TE M5X14	

KIT2335 : ECU KIT					
Pos.	Q.tà	Codice	Descrizione	Description	NOTE
L1	1	GPP0694165	CENTR. ELETTRONICA	ECU COMPLETE KIT	
L2	3	501200	VITE TCI M4x10	SCREW TCI M4X10	
L3	3	#551759	RONDELLA Ø4	WASHER Ø4	

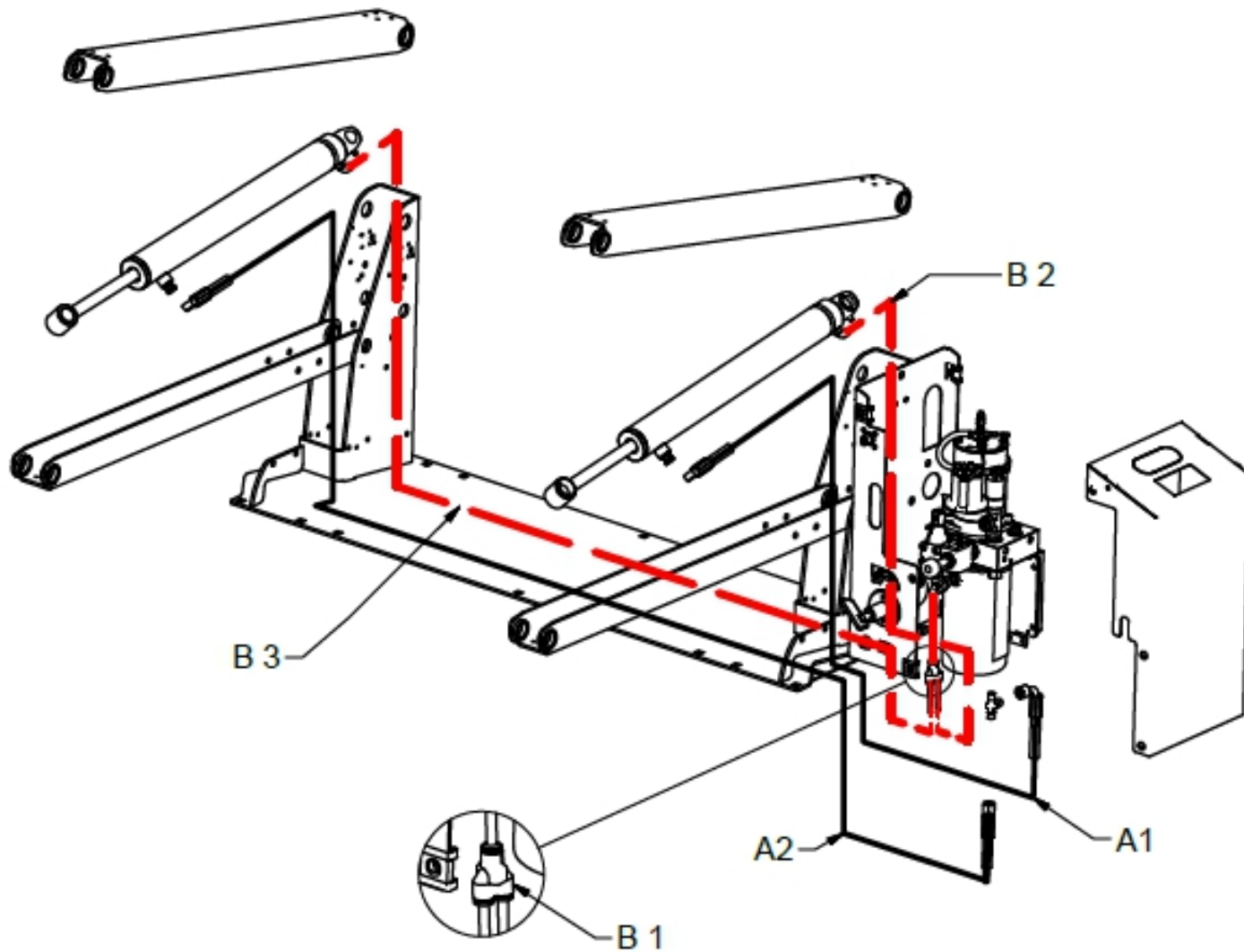
KIT2340 : RESETTABLE CIRCUIT BRAKERS KT					
Pos.	Q.tà	Codice	Descrizione	Description	NOTE
Q1	1	FUS0002	FUSIBILE 8A	RESETTABLE FUSE	8A
Q2	1	FUS0001	FUSIBILE 30A	RESETTABLE FUSE	30A
Q3	1	FUS0004	FUSIBILE 5A	RESETTABLE FUSE	5A

KIT2345 : HAND CONTROLLER KIT					
Pos.	Q.tà	Codice	Descrizione	Description	NOTE
N1	1	#C400630	SUPP. PULSANT.	HAND SUPPORT	
N2	1	PUL0049	PULSANTIERA	HAND CONTROL	
N3	2	#551162	VITE TSPEI M4x12	SCREW TSPEI M4X12	
N4	2	DAD0031	DADO M4	NUT M4	
N5	2	RON0032	RONDELLA D.4	WASHER Ø4	

KIT2685 : POWER SWITCH KIT					
Pos.	Q.tà	Codice	Descrizione	Description	NOTE
R1	1	550330	SUPP. CHIAVE + CHIAVE	SUPPORT KEY WITH KEY	
R2	1	#550408	CHIAVE	KEY	
R3	1	TAR0197	ADESIVO ON/OFF	LABEL ON/OFF	FOR RIGHT APPLY OF HYDRAULIC PUMP
		TAR0201			FOR LEFT APPLY OF HYDRAULIC PUMP

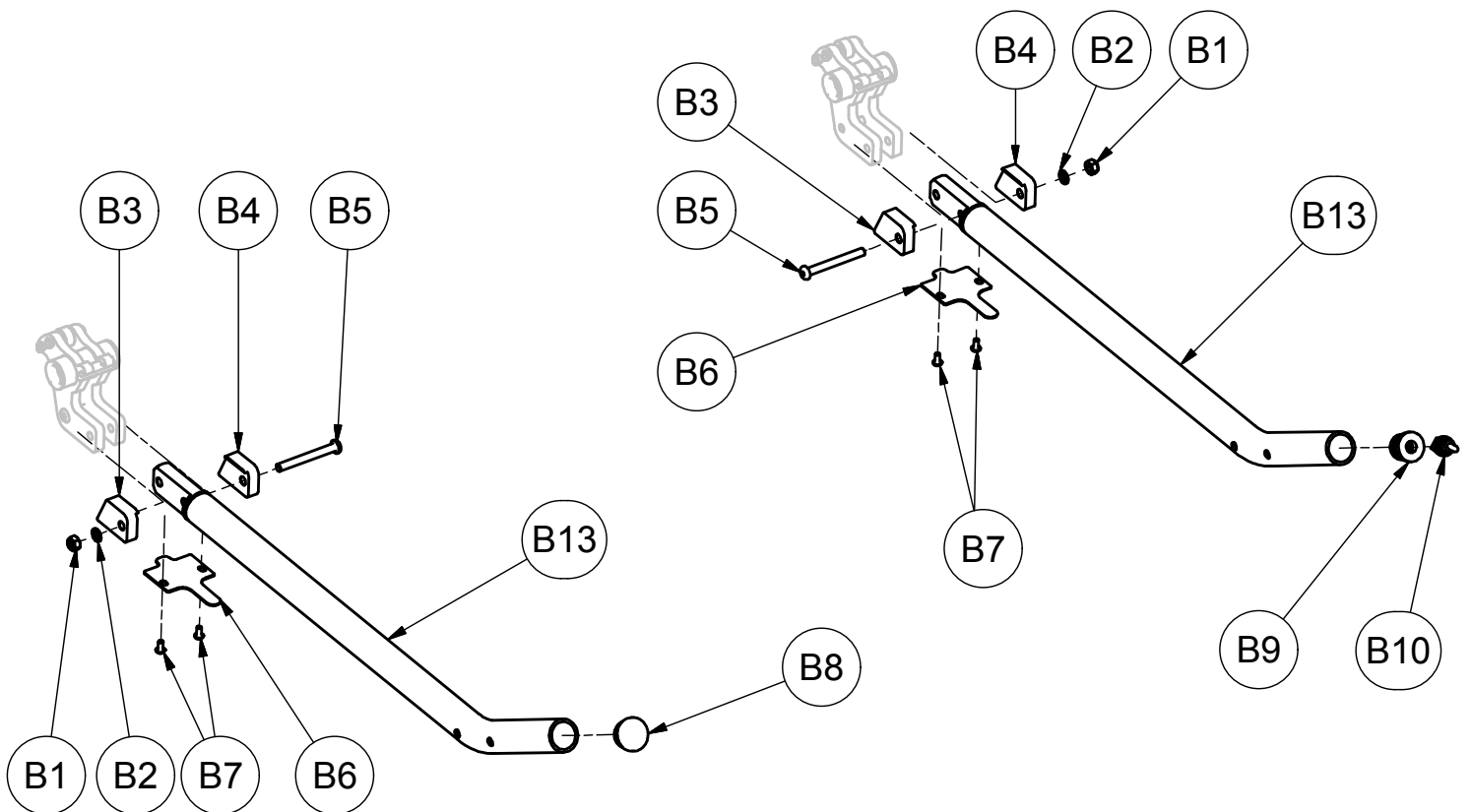
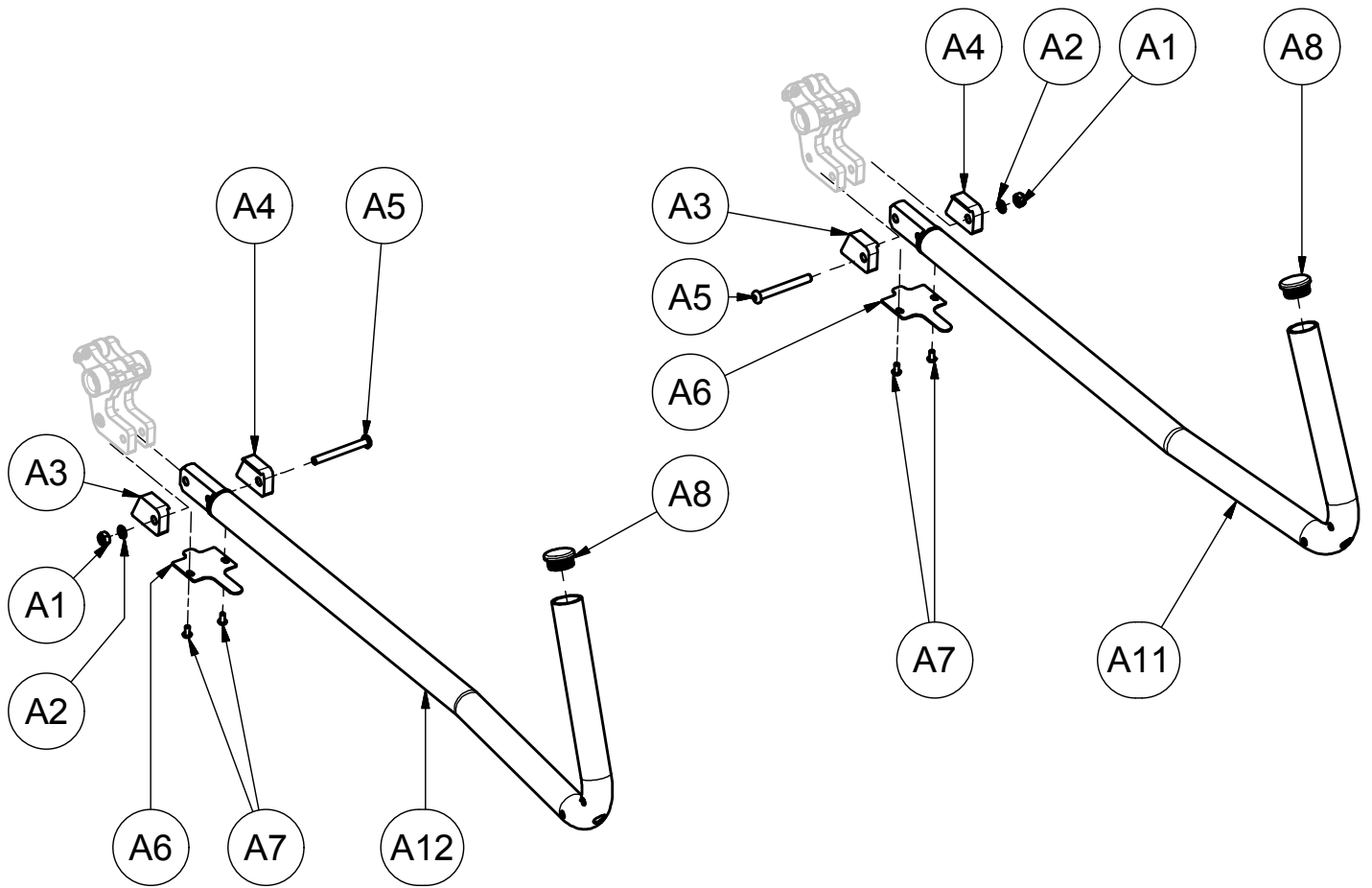
KIT2690 : HYDRAULIC HOSES KIT					
Pos.	Q.tà	Code	Descrizione	Description	NOTE
A1	1	TID0261	X CILINDRO DX	FLEX PIPE CYLINDER RIGHT	
A2	1	TID0262	X CILINDRO SX	FLEX PIPE CYLINDER LEFT	

KIT2365 : HYDRAULIC DRAINAGE HOSES KIT					
Pos.	Q.tà	Code	Descrizione	Description	NOTE
B1	1	#E551342	RACCORDO	FITTING	
B2	MT. 0,3	550255	RILSAN	RETURN HOSE	
B3	MT. 0,8	550255	RILSAN	RETURN HOSE	
B4	MT. 1,6	550255	RILSAN	RETURN HOSE	



KIT2371 : PUBLIC HANDRAILS					
Pos.	Q.tà	Code	Descrizione	Description	NOTE
A1	2	DAD0034	DADO M8	NUT M8	
A2	2	RON0001	RONDELLA Ø8	WASHER Ø8	
A3	2	BLO0104	BLOCCO SX	LEFT BLOCK	
A4	2	BLO0103	BLOCCO DX	RIGHT BLOCK	
A5	2	VIT0213	VITE TBEI M8X70	SCREW TBEI M8X70	
A6	2	LAS2179	COPERCHIO	COVER	
A7	4	VIT0147	VITE TBEI M5X10	SCREW TBEI M5X10	
A8	3	TAP0059	TAPPO	CAP	
A11	1	ASM1589	MANIGLIONE SX	LEFT HANDRAILS	PUBLIC
A12	1	ASM1589	MANIGLIONE DX	RIGHT HANDRAILS	PUBLIC

KIT2376 : PRIVATE HANDRAILS					
Pos.	Q.tà	Code	Descrizione	Description	NOTE
B1	2	DAD0034	DADO M8	NUT M8	
B2	2	RON0001	RONDELLA Ø8	WASHER Ø8	
B3	2	BLO0104	BLOCCO SX	LEFT BLOCK	
B4	2	BLO0103	BLOCCO DX	RIGHT BLOCK	
B5	2	VIT0213	VITE TBEI M8X70	SCREW TBEI M8X70	
B6	2	LAS2179	COPERCHIO	COVER	
B7	4	VIT0147	VITE TBEI M5X10	SCREW TBEI M5X10	
B8	1	TAP0059	TAPPO	CAP	
B9	1	TAP0008	TAPPO FORATO	CAP WITH HOLE	
B10	1	CAB0193	JOYSTICK	JOYSTICK	
B13	2	ASM1587	MANIGLIONE	HANDRAIL	PRIVATE



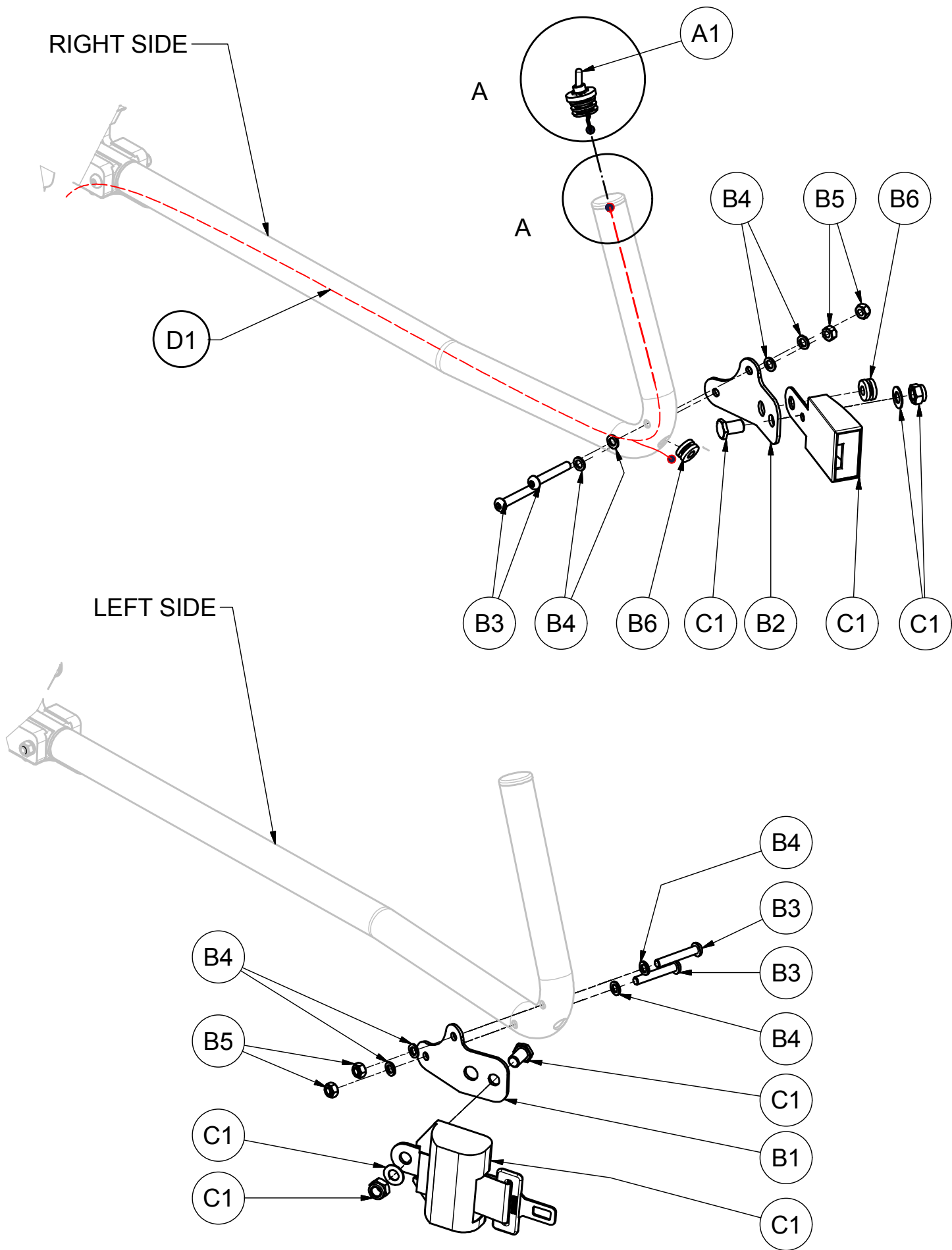
KIT2380 : SWITCH JOYSTICK KIT					
Pos.	Q.tà	Code	Descrizione	Description	NOTE
A1	1	CAB0193	INTERRUTTORE	SWITCH HANDRAIL	ONLY PRIVATE HANDRAILS

KIT2385 : SUPPORT SAFETY BELT KIT					
Pos.	Q.tà	Code	Descrizione	Description	NOTE
B1	1	LAS2178	SUPPORTO	SUPPORT	
B2	1	LAS2037	SUPPORTO SX	LEFT SUPPORT	
B3	2	VIT0208	SCREW TBEI M8X50	SCREW TBEI M8X50	
B4	4	RON0001	RONDELLA D.8	WASHER D.8	
B5	2	DAD0034	DADO M8	NUT M8	
B6	2	TAP0006	PASSACAVO	FAIRLEAD	

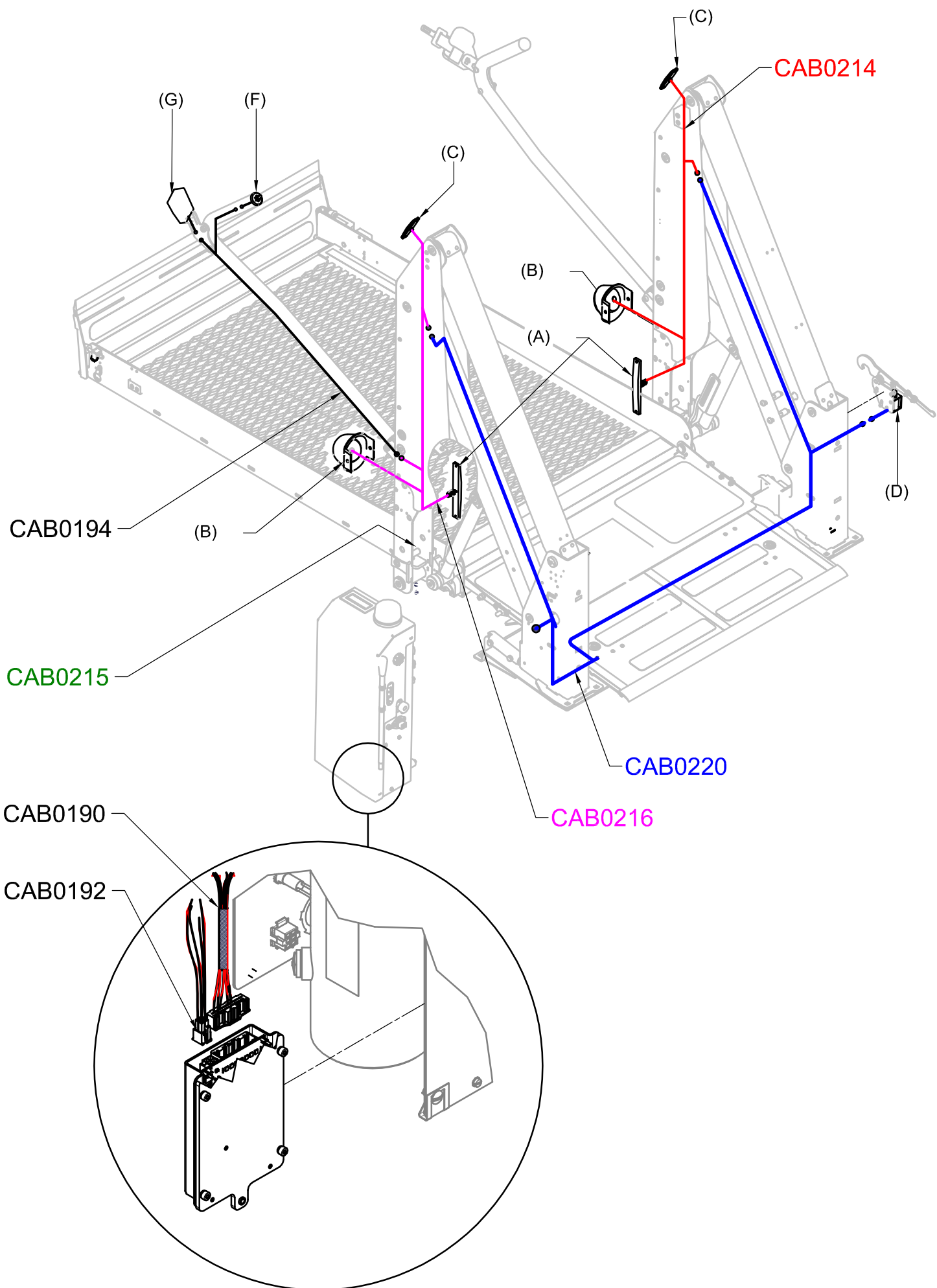
Pos.	Q.tà	Code	Descrizione	Description	NOTE
C1	1	ACC0001	CINTURA SICUREZZA + FISSAGGIO	SAFETY BELT WITH FIXING KIT	


Pos.	Q.tà	Code	Descrizione	Description	NOTE
D1	1	CAB0194	CABLAGGIO	WIRING	

KIT2395 : SWITCH JOYSTICK AND SAFETY BELT					
Pos.	Q.tà	Code	Descrizione	Description	NOTE
		KIT2380		SWITCH JOYSTICK	
		KIT2385		SUPPORT SAFETY BELT	
		ACC0001		SAFETY BELT	
		CAB0194		WIRING	
		CAB0193		SWITCH JOYSTICK	



KIT2700 : WIRING					
Pos.	Q.tà	Code	Descrizione	Description	NOTE
(A)	2		RIF. TAV 7 (RIGHT / LEFT), KIT2566	SEE TAV 7 (RIGHT / LEFT), KIT2566	not included in this kit
(B)	2		RIF. TAV 7 (RIGHT / LEFT), KIT2085	SEE TAV 7 (RIGHT / LEFT), KIT2085	
(C)	2		RIF. TAV 7 (RIGHT / LEFT), KIT2565	SEE TAV 7 (RIGHT / LEFT), KIT2565	
(D)	1		RIF. TAV 6, PART A2 - KIT2070	SEE TAV 6, KIT2070	
(F)	1		RIF. TAV 19, KIT2380	SEE TAV 19, KIT2380	
(G)	1		RIF. TAV 19, C1	SEE TAV 19, C1	
	1	CAB0194	PROLUNGA	EXTENSION	
	1	CAB0192	CABL. ECU7PULSANTIERA	ECU/HANDRAIL WIRING	
	1	CAB0190	CABL. ALIMENTAZIONE	POWER WIRING	
	1	CAB0220	CABL. PRINCIPALE INTERNO	MAIN WIRING ON INTERNAL LIFT	
	1	CAB0214	COLL. LUCI SX	WIRING LIGHT LEFT	
	1	CAB0215	PROLUNGA BRACCIO	EXTENSION WIRING ON ARM	
	1	CAB0216	COLL. LUCI DX	WIRING LIGHT RIGHT	
	1	CAB0221	PROLUNGA	EXTENSION WIRING	
	1	CAB0223	ADATTATORE (OLD CAB0216)	socket adapter FOR OLD CAB0216	from S/N 75024





TAR0235

MAX 900 lb

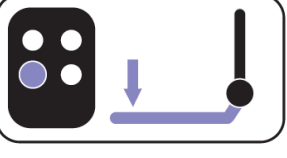
Uniformly Distributed

SWL

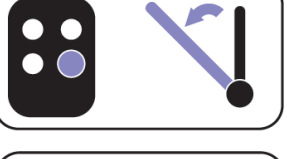




TAR0227



TAR0228



TAR0229



TAR0226



TAR0226



TAR0228



TAR0229

5A

8A

30A

TAR0205



TAR0230



TAR0201 TAR0197



TAR0199



TAR0198



TAR0218



TAR0218



TAR0193




TAR0194


MANUAL OPERATION

Emergency manual controls are to be used to operate the lift in case of power supply failure.
They are not intended for 'normal' use as an alternative to powered operation.


DEPLOY/DOWN
On the hydraulic unit, turn manual override valve counterclockwise (Max 1/4 turn)
Lower lift using black knob.



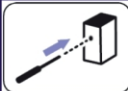
The platform will open and descend until making contact with the ground or if the lowering valve is closed (by turning the knob clockwise).




IMPORTANT
Before any other operation, close the lowering valve, by turning its knob clockwise.



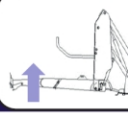
UP/STOW
Tighten the lever into the threaded hole. (inside the vertical slot marked by the relevant label)



Operate the pump manually alternating up / down vertical movements.




The platform will reach vehicle floor level to allow user on / off the platform. Continue to operate the pump to stow the platform.



TAR0234



#E499107



WARNING
READ MANUAL

Make sure that the movement of the lift corresponds to each command without jamming or unusual noises.

DO NOT USE LIFT IF YOU BELIEVE IT IS DAMAGED OR OPERATING INCORRECTLY

Park on level ground, make sure there is enough room around vehicle to enable safe operation

ENGAGE PARKING BRAKE
KEEP OPERATORS AND BYSTANDERS CLEAR OF OPERATING AREA

WHEN USING LIFT:
STANDEES: Stand inside yellow boundary, in the center of platform, hold hand rails.
MIND YOUR HEAD!

WHEELCHAIR PASSENGERS:
Use wheelchair occupant belt.
Position within yellow boundary.
Apply wheelchair brakes before operating lift.
Inner roll stop and outer barrier must be up.

OPERATING INSTRUCTIONS

DEPLOY PLATFORM:
Push and hold **DEPLOY** button until platform stops at the horizontal loading position on the floor of the vehicle.
Release button.
The lift can now be loaded, for wheelchair passengers lock wheelchair brakes.

LOWERING PLATFORM:
Push and hold **DOWN** button until platform stops at the horizontal loading position on the ground and the outer barrier fully unfolds.
Release button.
Release wheelchair brakes and unload passenger from the platform.

RAISING PLATFORM:
The lift can now be loaded, for wheelchair passenger lock wheelchair brakes.
Push and hold **UP** button until platform stops at the horizontal loading position on the floor of the vehicle. Release button.

TAR0233



TAR0214

TAR0214

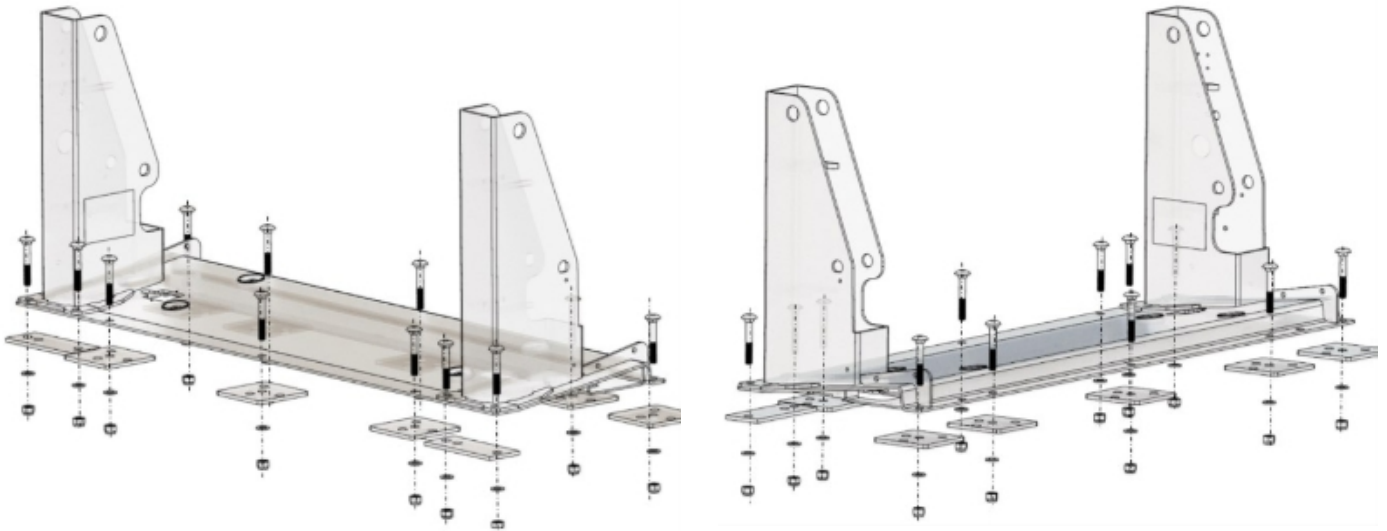
TAR0233

SINLE LABEL : TAR0217



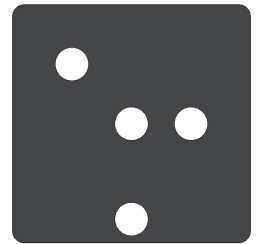
TAR0217

KIT2410



Below: Inboard View

Below: Outboard View



X 10
(M10X70)

X 2

X 10

X 10

X 8

KIT2411 : IF NECESSITY USE OR REPLACE WITH THESE



X 2

X 6 (M10X100)

X 3 (M10X220)

