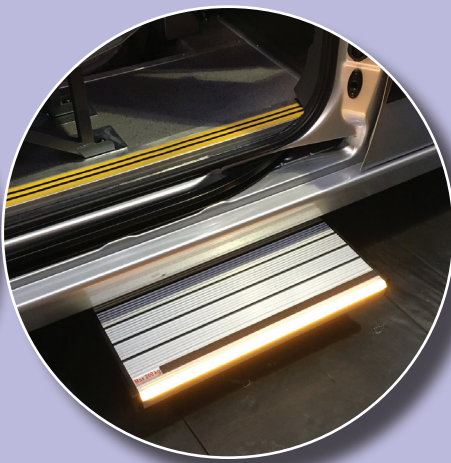


# Mobility

NETWORKS

## VEHICLE ACCESSIBILITY SOLUTIONS



## VERSA RANGE

The **VERSA** range from Mobility Networks; steps which are versatile and reliable additions to a variety of vehicles.

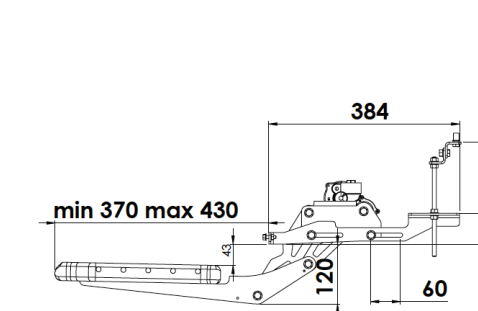
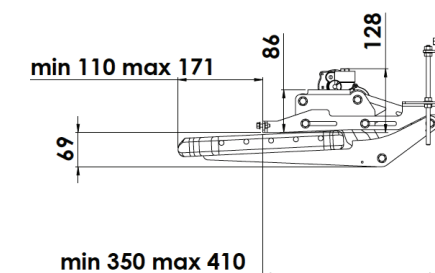
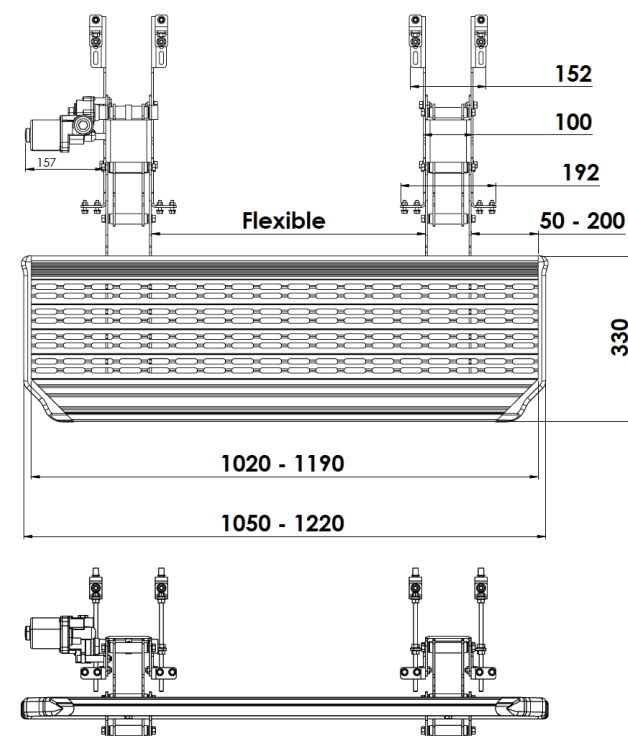
All products in the **VERSA** range are made of the highest quality materials and tested thoroughly for strength and durability.

Mobility Networks Group  
12 Estuary View Business Park  
Whitstable, Kent, CT5 3SE  
+44(0)1227 505 022  
[www.mobilitynetworksgroup.com](http://www.mobilitynetworksgroup.com)

# VERSA<sup>SL</sup>

Built and designed with more than a decade of experience, the VERSA<sup>SL</sup> is a heavy duty, lightweight step designed for larger vehicles and regular use.

The VERSA<sup>SL</sup> is made from a combination of steel and aluminium, and weighs between 16Kg – 18Kg (model dependent). Maximum capacity is 250Kg so you can rest assured that it will remain stable and secure with regular use. The VERSA<sup>SL</sup> is mounted below the middle sliding door.



## Deployment

With a deployment time of 1.5 seconds, the VERSA<sup>SL</sup> step will keep up with fast paced activities and regular use.



## Life Cycle

The tested life cycle of the step is 250,000 cycles. This ensures the durability and reliability we know you need. A high temperature zinc corrosion protector is also used to increase durability.

“ The step is absolutely perfect, and the function is top. It will be the only choice for steps for me!

Markus Schellen -  
Busunternehmen Niesen DE



## Dimensions

- Step depth: 310mm, Step width: 1000mm or 1200mm depending on model.
- Weight: 16-18Kg depending on model.
- Load: Maximum load 250Kg (2500 N).
- Frame: steel plate work.
- Step: Aluminum profile and ABS corner covers.
- Electrical connection: Waterproof 4 pin connector (IP65).
- Legislation: The product fulfils R107 UN Bus directive and 98/37 EC Machine directive.
- Safety Function: Motor switched off by ECU control
- ECU Sleep function for energy reduction

# VERSA<sup>AXS</sup> MD

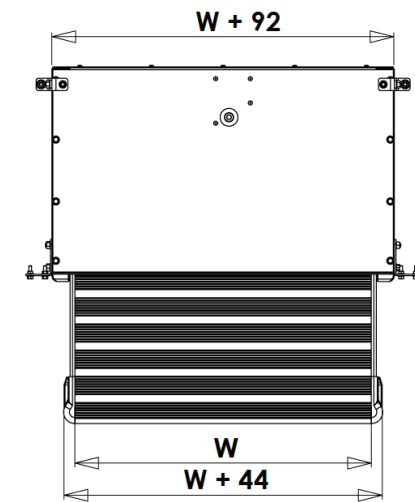
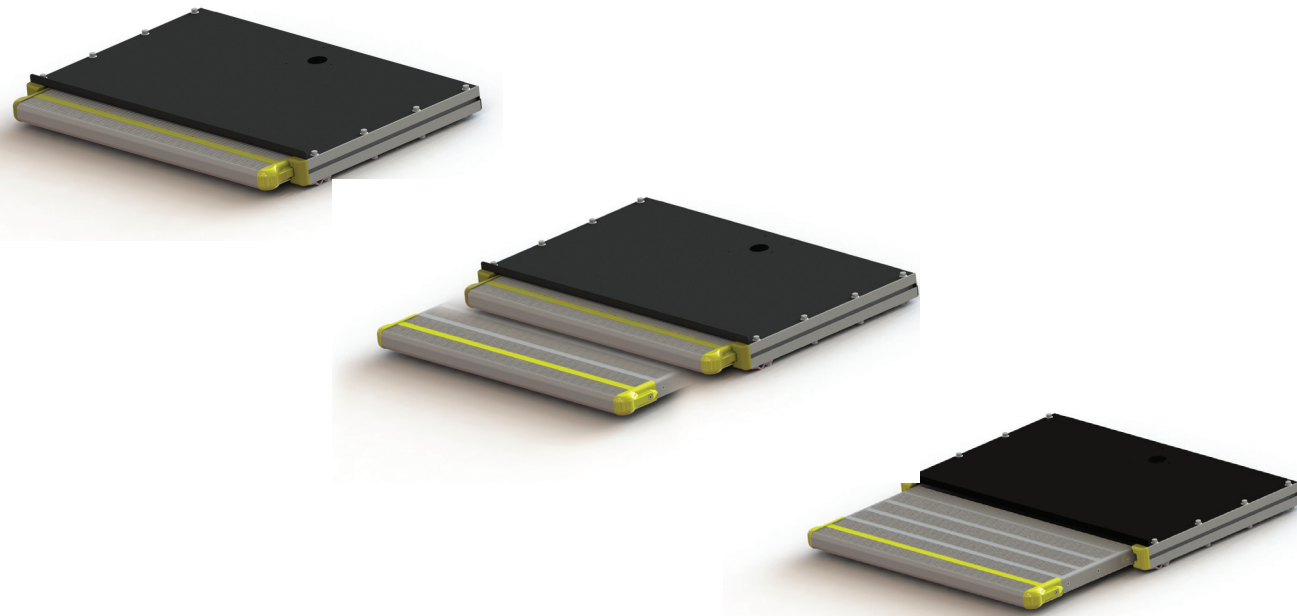
The **VERSA<sup>AXS</sup> MD** is a lightweight cassette step with a very thin cassette of only 46mm in height. This manual step features a kick release mechanism and there are two width options; 600mm or 900mm. The step is also available on special request as an electric version (600mm width only).

## Safety First

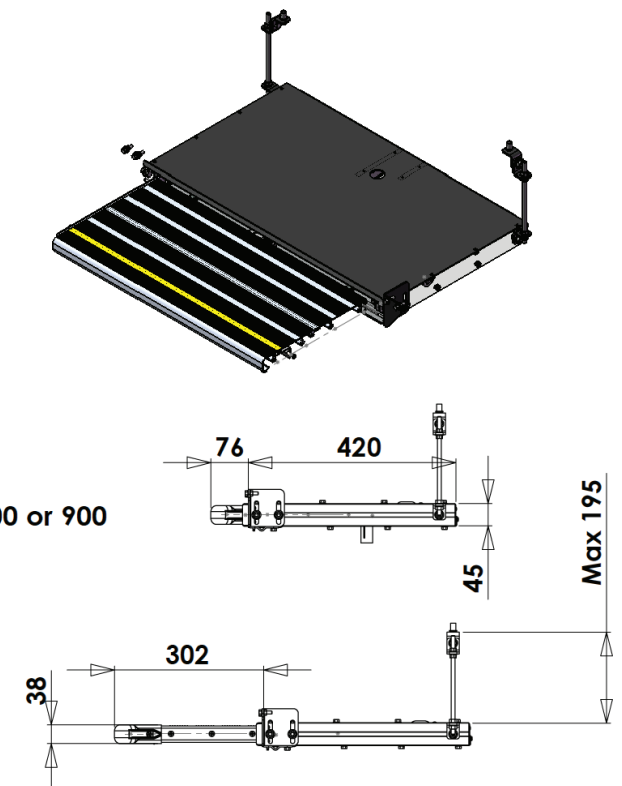
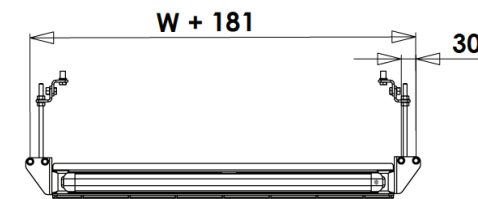
The step comes with yellow rounded edges and a yellow main edge for increased visibility.

## Dimensions

Manual step weight:  
16/18Kg (600/900mm)  
Max. loading capacity:  
150Kg



W = 600 or 900



## Easy Operation

The **VERSA<sup>AXS</sup> MD** is a foot operated medium duty sliding step.

## Kick Mechanism

The step slides out when it is pushed a little by the foot. To close it, simply push it back.

## Optional Extras

- Wiring loom with warning light for the driver
- Universal mounting brackets

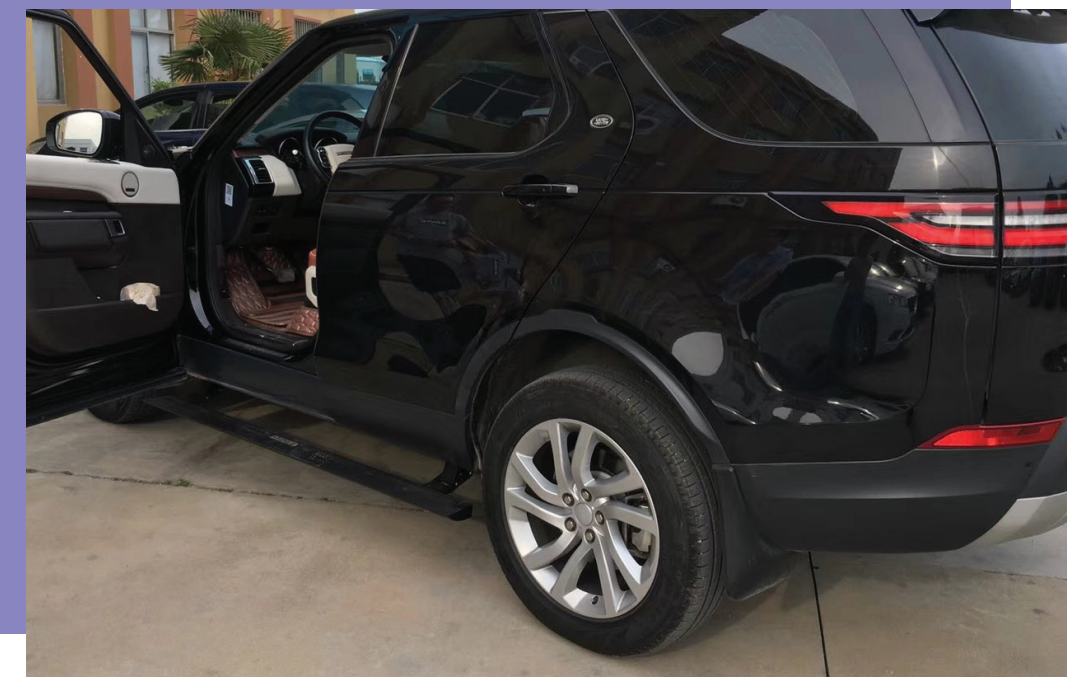
# VERSA<sup>SUV</sup>



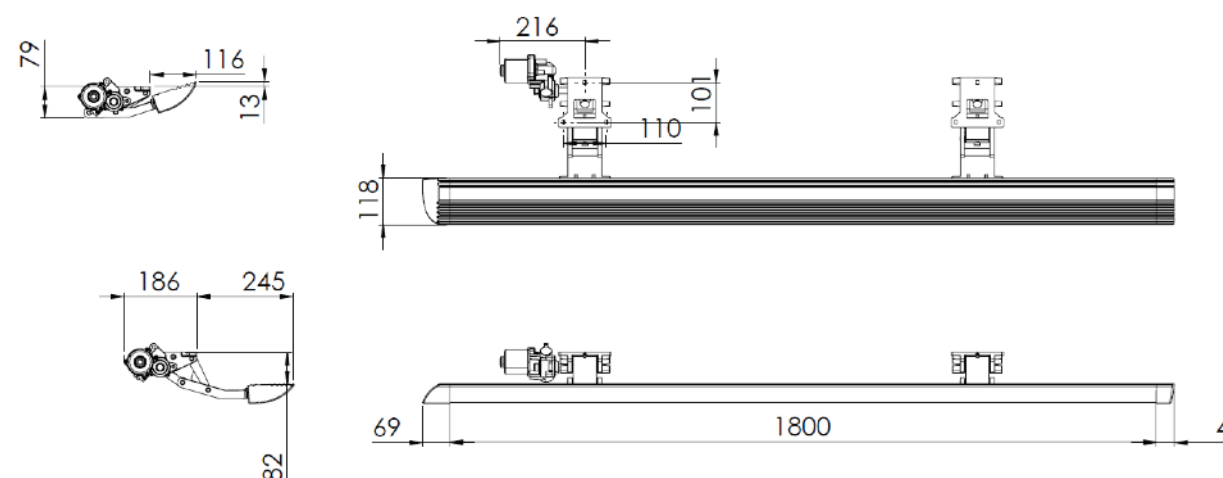
The **VERSA<sup>SUV</sup>** is an electrically operated double sided swing out step. The step has been designed specifically for SUV vehicles and covers the full side of the vehicle providing a step for both the front and the rear door.

- Closed design to keep dirt away from critical parts.
- Mounting brackets not included.

Supplied complete with wiring loom, integrated electronics, warning light for the driver, buzzer and magnetic touchless door switch.



## Measurements



The **VERSA<sup>SUV</sup>** is an ideal addition to any 4X4 that requires extra access. This retractable step combines practicality and sleek design.



# VERSA<sup>AXS</sup> FX

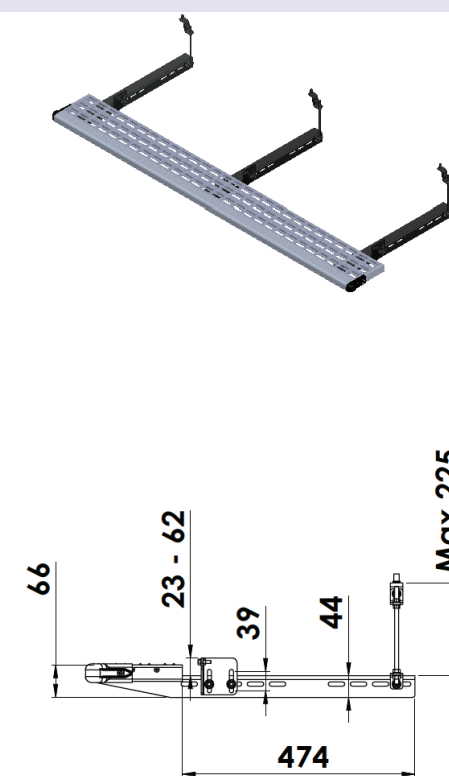
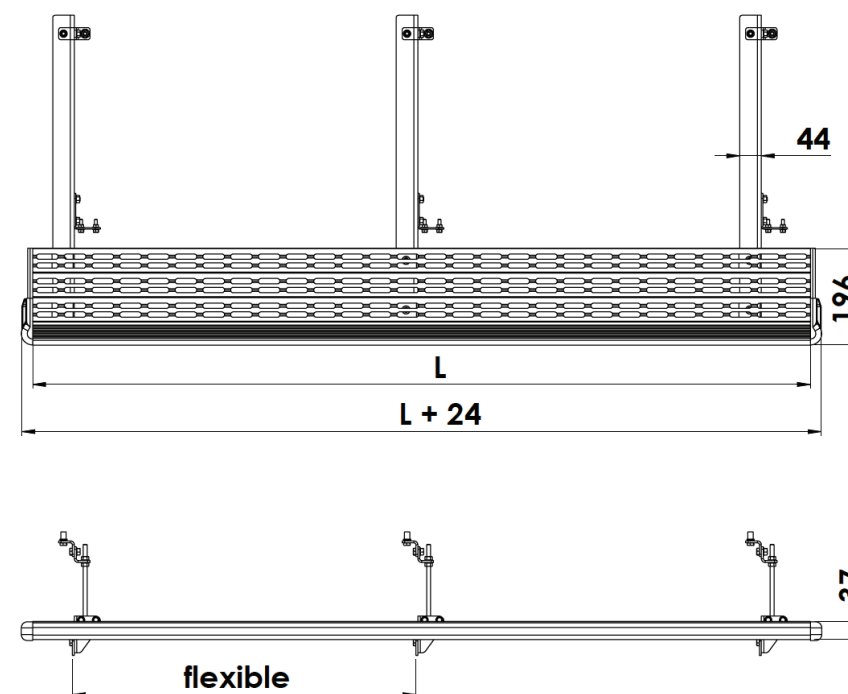
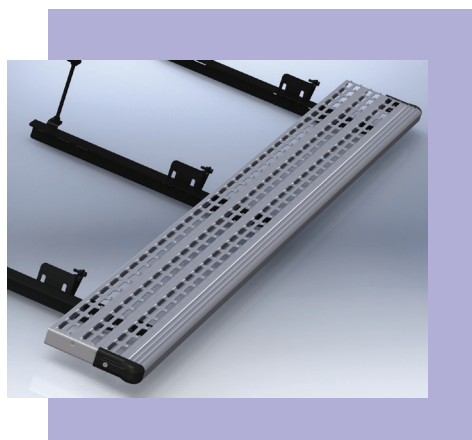
The **VERSA<sup>AXS</sup> FX** is a fixed side step. Designed with an open aluminium profile, this step is weatherproof, non-slip and hard-wearing.

The **VERSA<sup>AXS</sup> FX** has a loading capacity of 150Kg. It is available in a variety of lengths from 700mm up to 2000mm. The **VERSA<sup>AXS</sup> FX** is supplied with a Flexi-Fit mounting system.

## VERSA<sup>AXS</sup> FX Specifications:

Weight including brackets:

Type	Width (L)	Weight	Brackets
AXS 700F	680	11.6Kg	2
AXS 1200F	1190	14.5Kg	2
AXS 1600F	1585	19Kg	3
AXS 1800F	1810	20.3Kg	3
AXS 2000F	1980	21.3Kg	3





Mobility Networks Group  
12 Estuary View Business Park  
Whitstable, Kent, CT5 3SE

+44(0)1227 505 022  
[www.mobilitynetworksgroup.com](http://www.mobilitynetworksgroup.com)  
[info@mobilitynetworksgroup.com](mailto:info@mobilitynetworksgroup.com)

