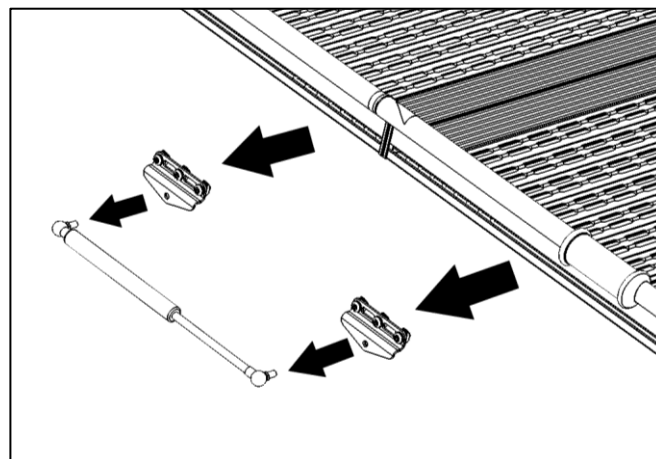
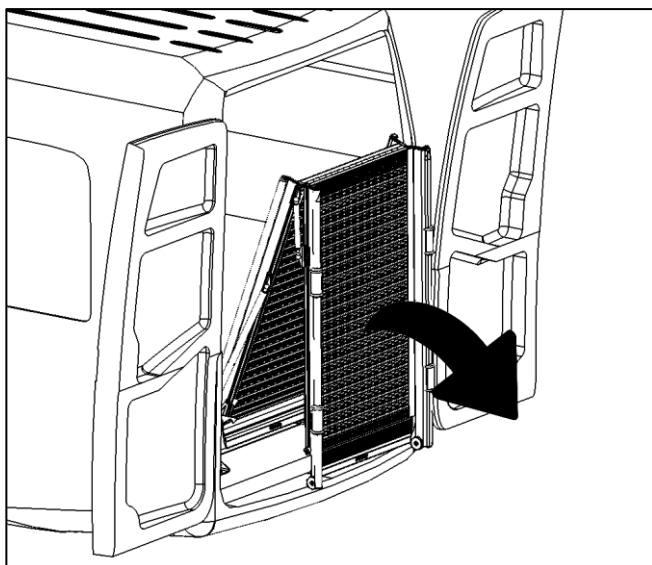


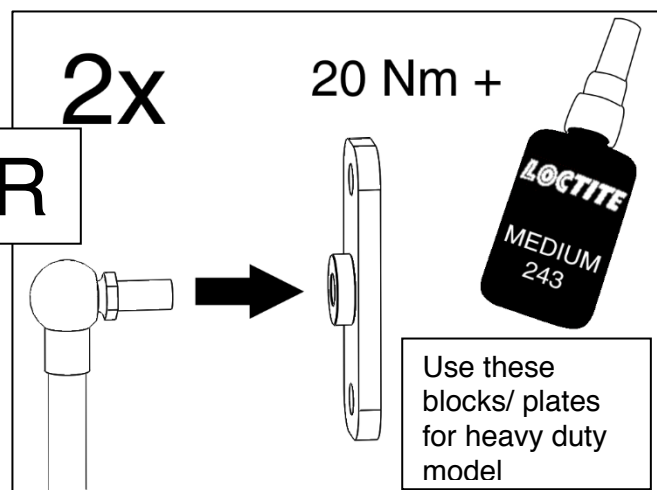
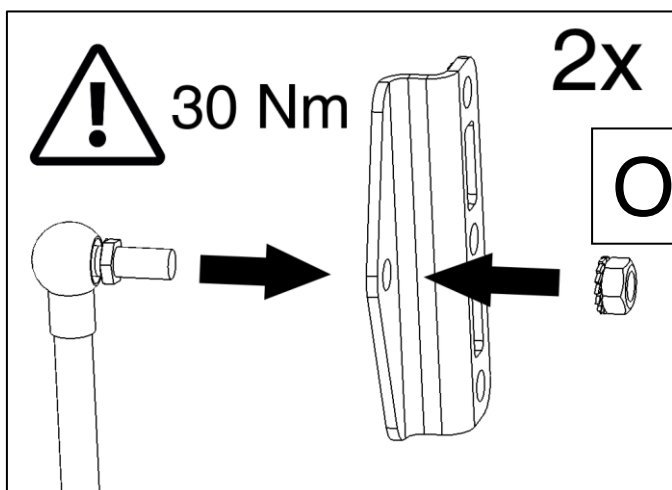
Needed tools for this task: Spanner 11 and 13 mm Allan key 5
Needed time 10 min

Disassembly

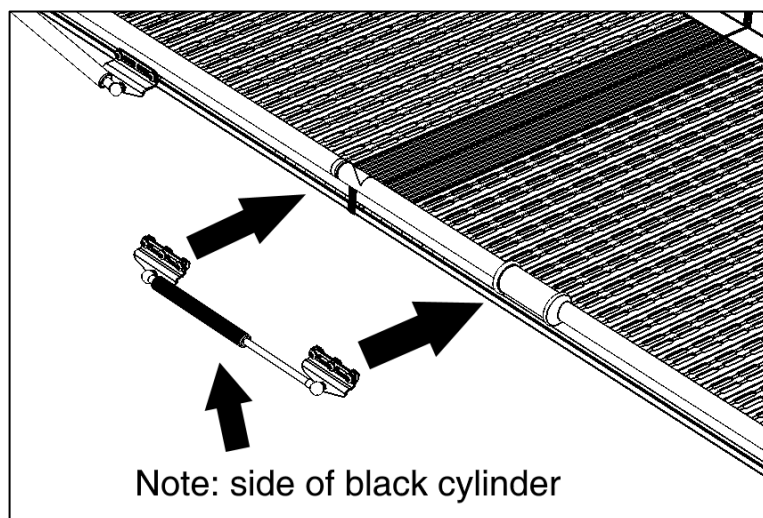


Unfold the ramp, remove the middle gas spring from the ramp and take off the brackets.

Assembly

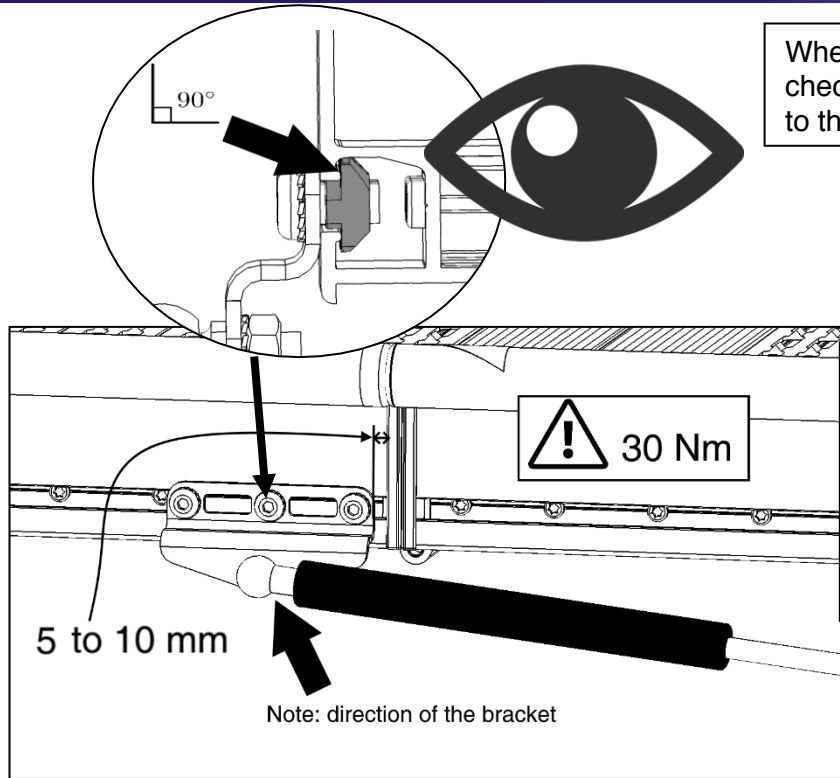


Use these blocks/ plates for heavy duty model



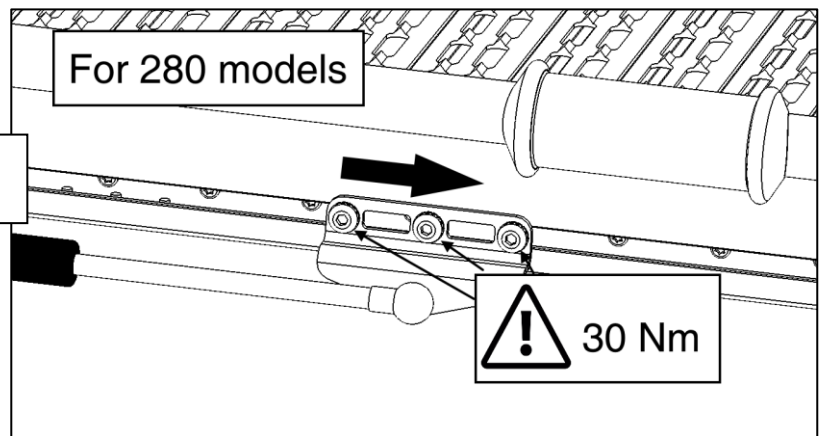
Note: side of black cylinder

Fix the gas springs to the brackets or mounting plates before installing on the ramp.

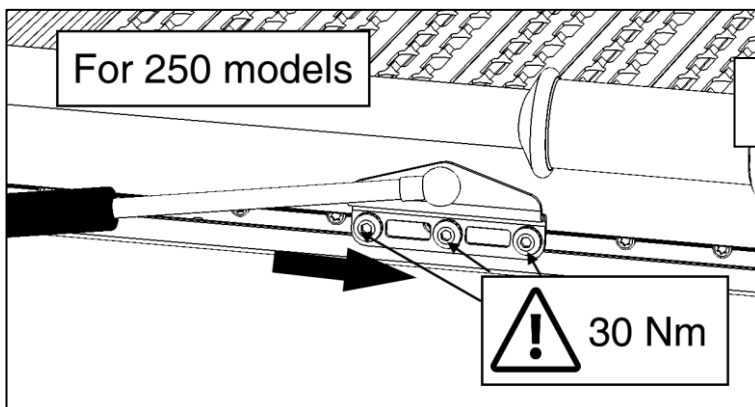


When fixing the bolts to the platform check that the T-nuts are at 90 degrees to the platform so they have a firm grip

First fit the bracket at the first or upper platform
Position is 5- 10 mm from the edge.
Standard is 7 mm
5 mm for less force 10 mm for more force opening the two platforms from each other, tighten to 30 Nm



For the 280 models the 2nd bracket should be placed as shown right.



For the models of the 250 series, the bracket should be placed as shown left.

The drawing on the right shows the situation for an heavy duty ramp and gas spring.

