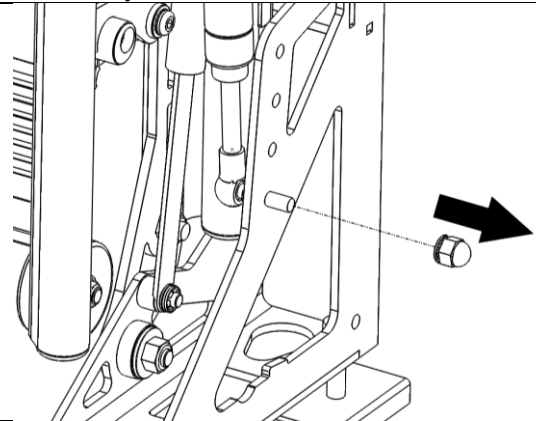
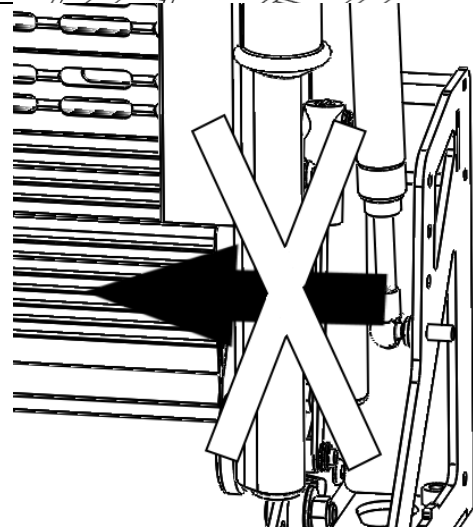


Needed tools: size 13 wrench, allen key size 5

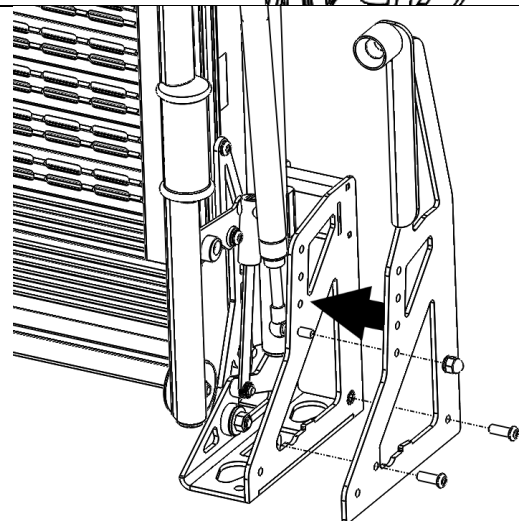
Remove the m8 nut from the gas spring.



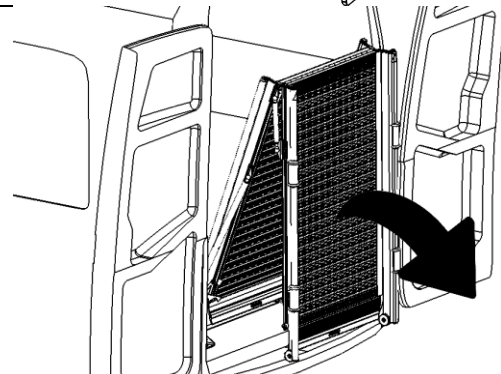
Do not remove the gas spring from the hole.



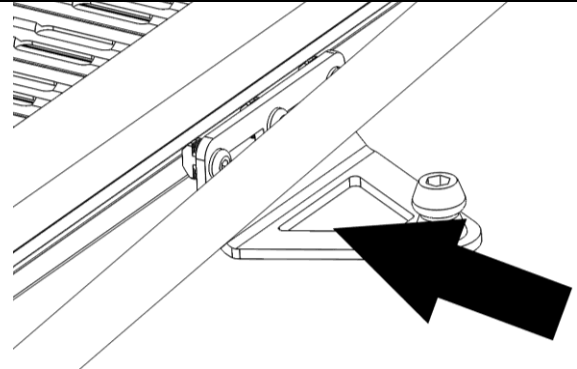
Place the bump stop assembly on the feet.



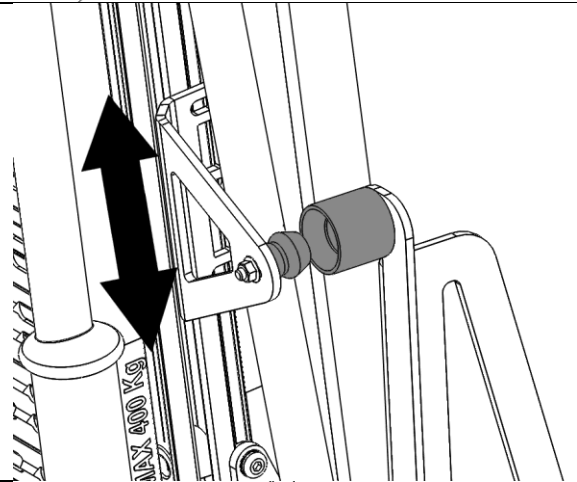
Open the ramp



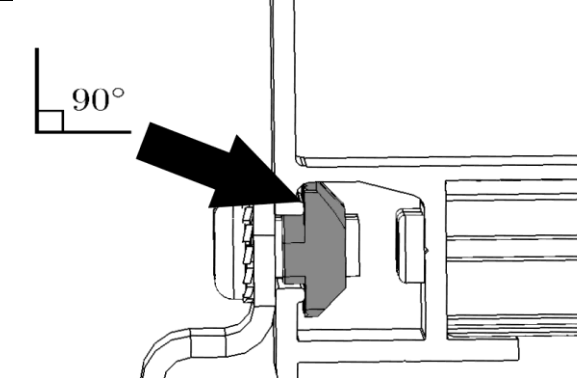
Place the bracket with loosely fixed bolts in the side profile.



Close the ramp and adjust the bracket so the rubber bump stops aligns with counterpart



Check the t-nuts for being fit properly square on the slot



Tighten all nuts and bolts to 30 Nm

30 Nm

Repeat on other side