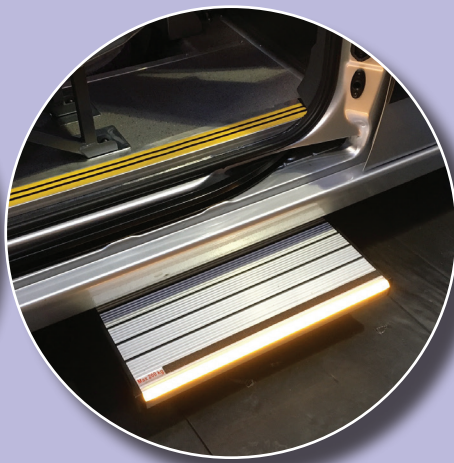


Mobility

NETWORKS

VEHICLE ACCESSIBILITY SOLUTIONS



VERSA RANGE

The **VERSA** range from Mobility Networks; steps which are versatile and reliable additions to a variety of vehicles.

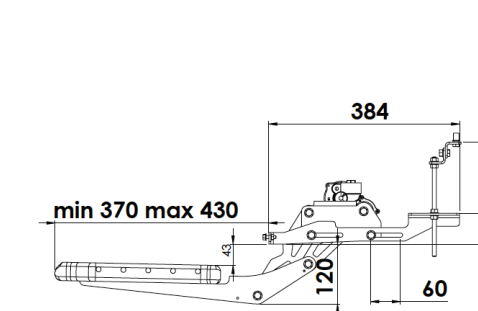
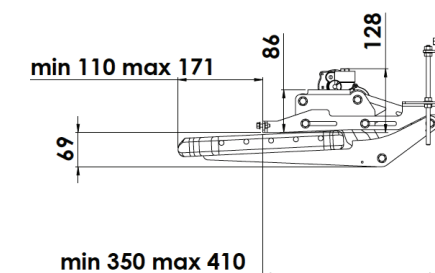
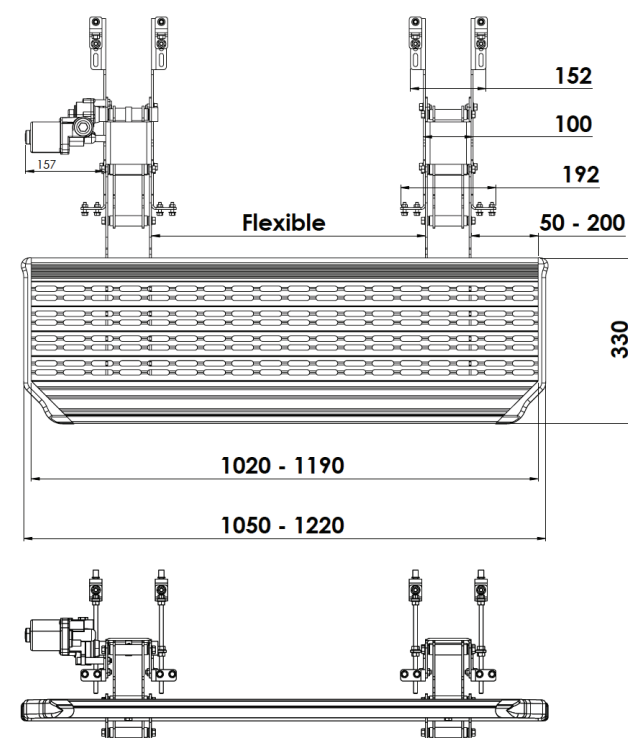
All products in the **VERSA** range are made of the highest quality materials and tested thoroughly for strength and durability.

Mobility Networks Group
12 Estuary View Business Park
Whitstable, Kent, CT5 3SE
+44(0)1227 505 022
www.mobilitynetworksgroup.com

VERSA^{SL}

Built and designed with more than a decade of experience, the **VERSA^{SL}** is a heavy duty, lightweight step designed for larger vehicles and regular use.

The **VERSA^{SL}** is made from a combination of steel and aluminium, and weighs between 16Kg – 18Kg (model dependent). Maximum capacity is 250Kg so you can rest assured that it will remain stable and secure with regular use. The **VERSA^{SL}** is mounted below the middle sliding door.



Deployment

With a deployment time of 1.5 seconds, the **VERSA^{SL}** step will keep up with fast paced activities and regular use.



Life Cycle

The tested life cycle of the step is 250,000 cycles. This ensures the durability and reliability we know you need. A high temperature zinc corrosion protector is also used to increase durability.

“ The step is absolutely perfect, and the function is top. It will be the only choice for steps for me!

Markus Schellen -
Busunternehmen Niesen DE



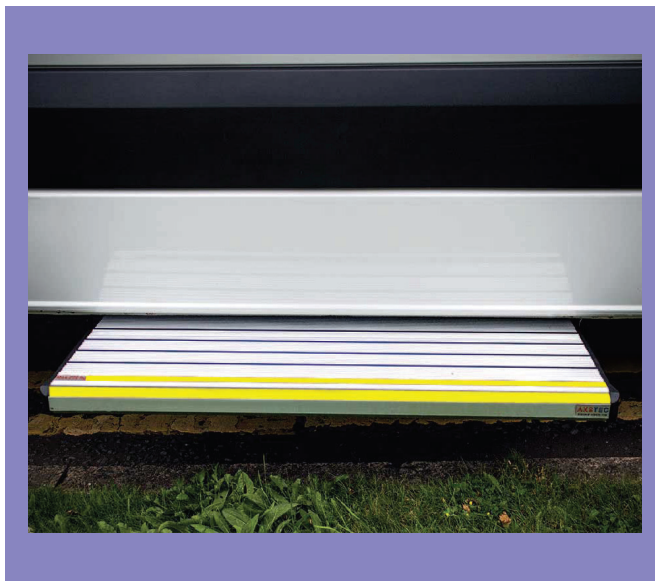
Dimensions

- Step depth: 310mm, Step width: 1000mm or 1200mm depending on model.
- Weight: 16-18Kg depending on model.
- Load: Maximum load 250Kg (2500 N).
- Frame: steel plate work.
- Step: Aluminum profile and ABS corner covers.
- Electrical connection: Waterproof 4 pin connector (IP65).
- Legislation: The product fulfils R107 UN Bus directive and 98/37 EC Machine directive.
- Safety Function: Motor switched off by ECU control
- ECU Sleep function for energy reduction

VERSA^{AXS} FL

The **VERSA^{AXS} FL** is a strong, general purpose step. The flat design makes it suitable for installation in a wide range of vehicles. Over a decade's worth of engineering, market research and continuous development makes this one of the most successful and popular steps on the market.

The closed design ensures that critical parts of the step do not get eroded by dirt and debris. The safe and highly durable platform is an ideal addition for the side or rear of a van or minibus. The **VERSA^{AXS} FL** is fitted with opening-movement obstacle-detection and an aluminium, non-slip surface.

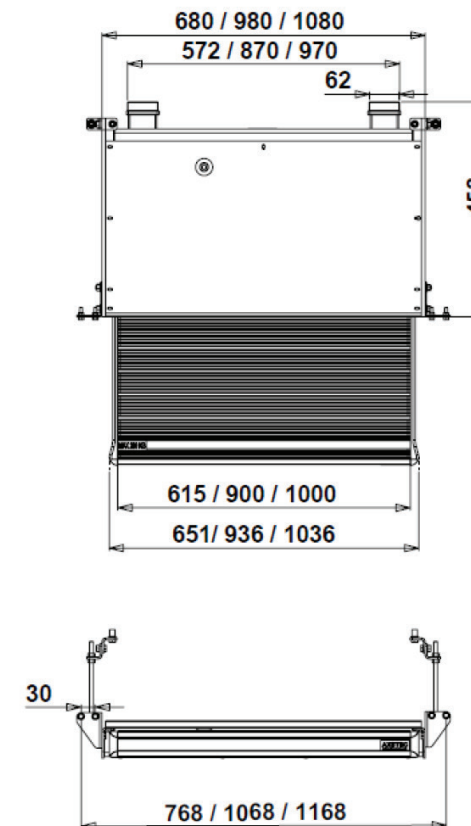


Supplied complete with wiring loom, integrated electronics, warning light for the driver, buzzer, magnetic touchless door switch and universal mounting brackets

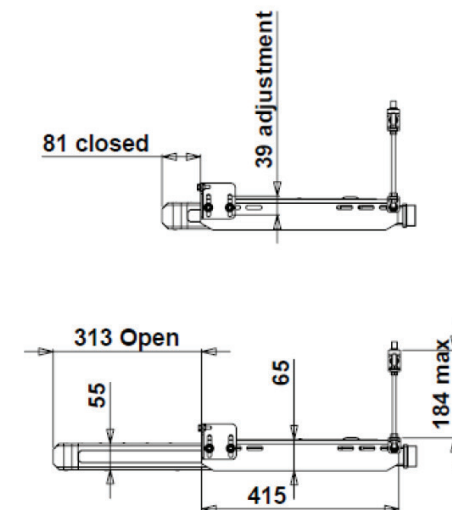


Sizes to suit any requirement

The step is available in 615mm, 900mm or 1000mm width. The loading capacity for any sized platform is 200Kg. The weight of the step is as follows: 25Kg / 28Kg / 31 Kg (615mm / 900mm / 1000 mm).



Dimension given for 600 / 900 / 1000 mm models



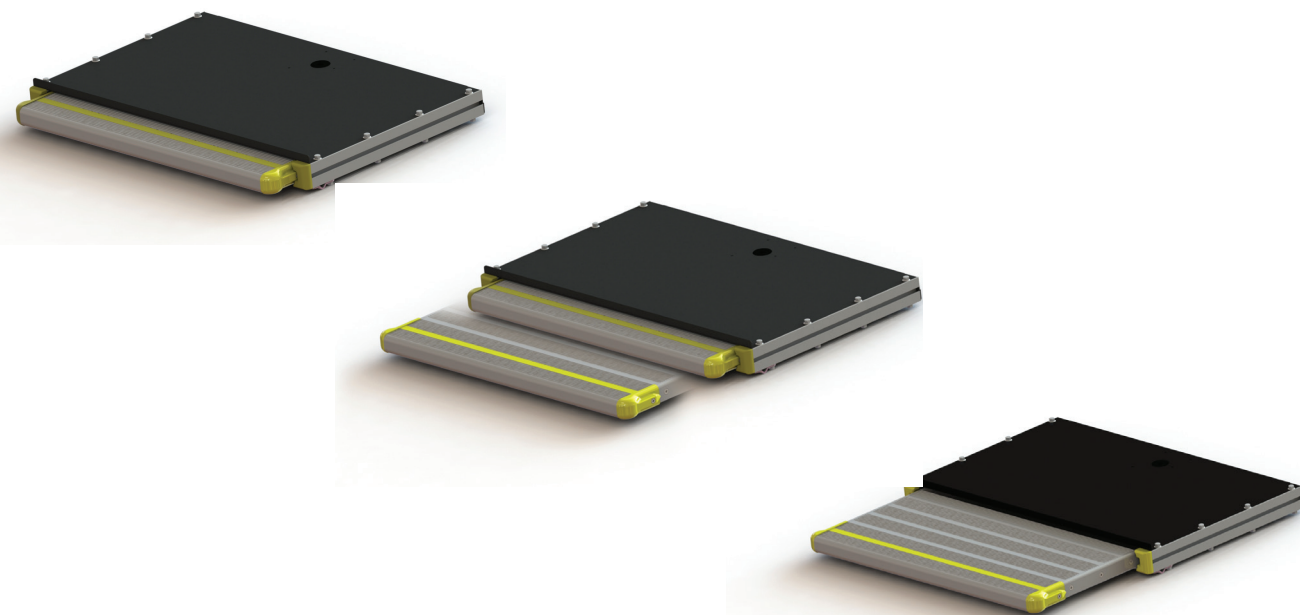
Optional Features

The **VERSA^{AXS} FL** can be fitted with a yellow LED edge strip.



VERSA^{AXS} MD

The **VERSA^{AXS} MD** is a lightweight cassette step with a very thin cassette of only 46mm in height. This manual step features a kick release mechanism and there are two width options; 600mm or 900mm. The step is also available on special request as an electric version (600mm width only).



Easy Operation

The **VERSA^{AXS} MD** is a foot operated medium duty sliding step.

Kick Mechanism

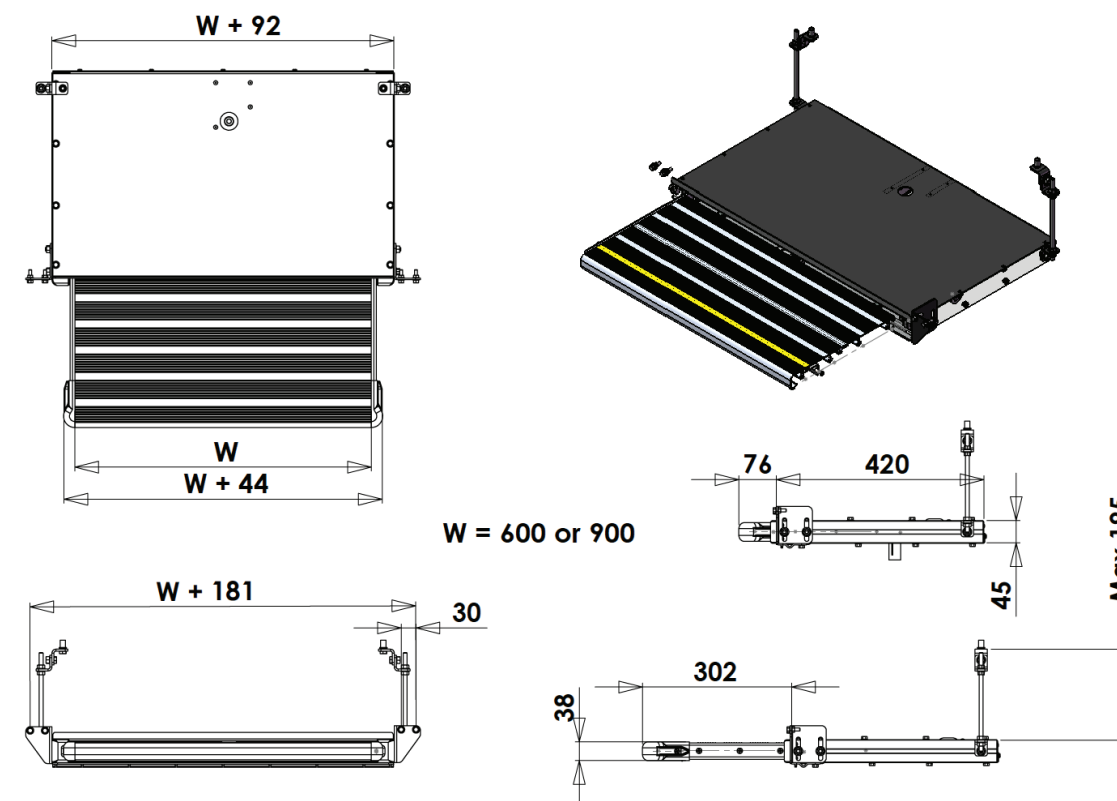
The step slides out when it is pushed a little by the foot. To close it, simply push it back.

Safety First

The step comes with yellow rounded edges and a yellow main edge for increased visibility.

Dimensions

Manual step weight:
16/18Kg (600/900mm)
Max. loading capacity:
150Kg



Optional Extras

- Wiring loom with warning light for the driver
- Universal mounting brackets

VERSA^{SUV}



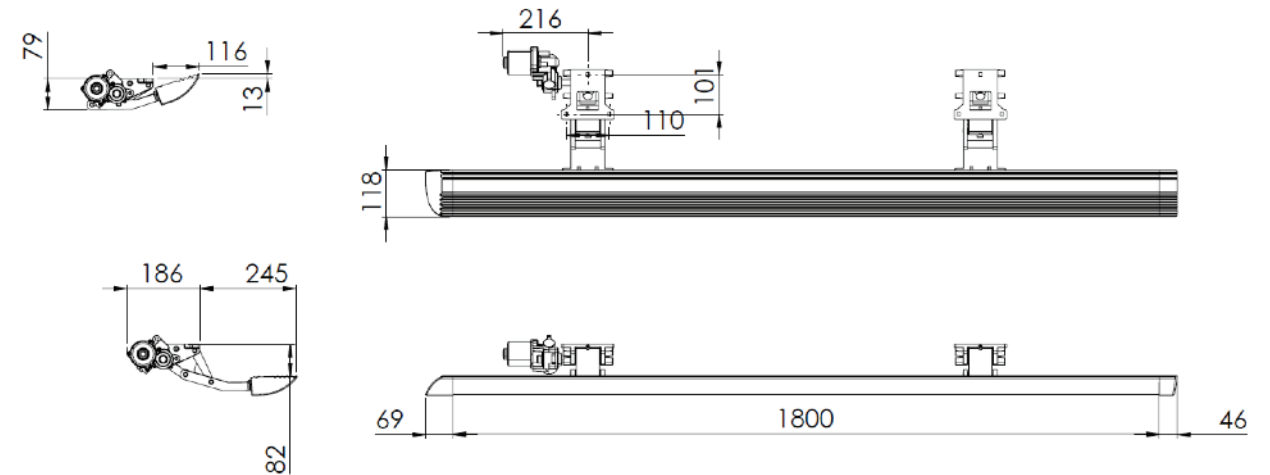
The **VERSA^{SUV}** is an electrically operated double sided swing out step. The step has been designed specifically for SUV vehicles and covers the full side of the vehicle providing a step for both the front and the rear door.

- Closed design to keep dirt away from critical parts.
- Mounting brackets not included.

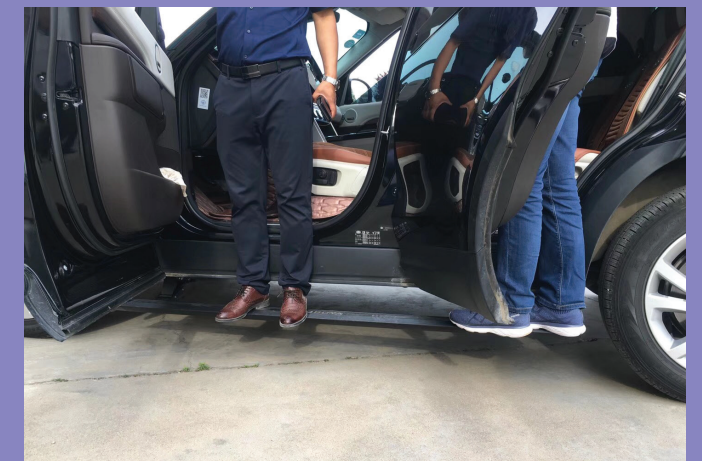
Supplied complete with wiring loom, integrated electronics, warning light for the driver, buzzer and magnetic touchless door switch.



Measurements



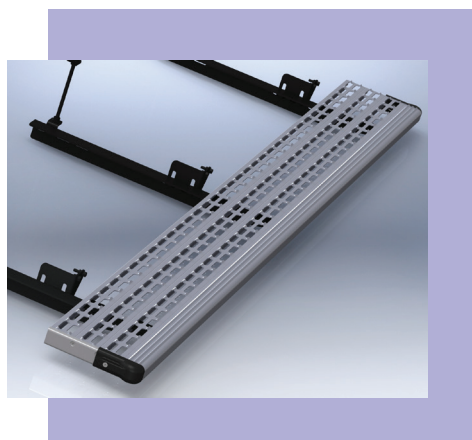
The **VERSA^{SUV}** is an ideal addition to any 4X4 that requires extra access. This retractable step combines practicality and sleek design.



VERSA^{AXS} FX

The **VERSA^{AXS} FX** is a fixed side step. Designed with an open aluminium profile, this step is weatherproof, non-slip and hard-wearing.

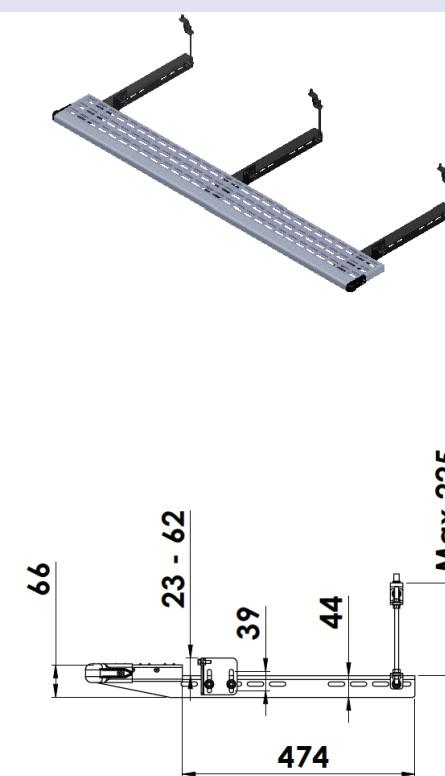
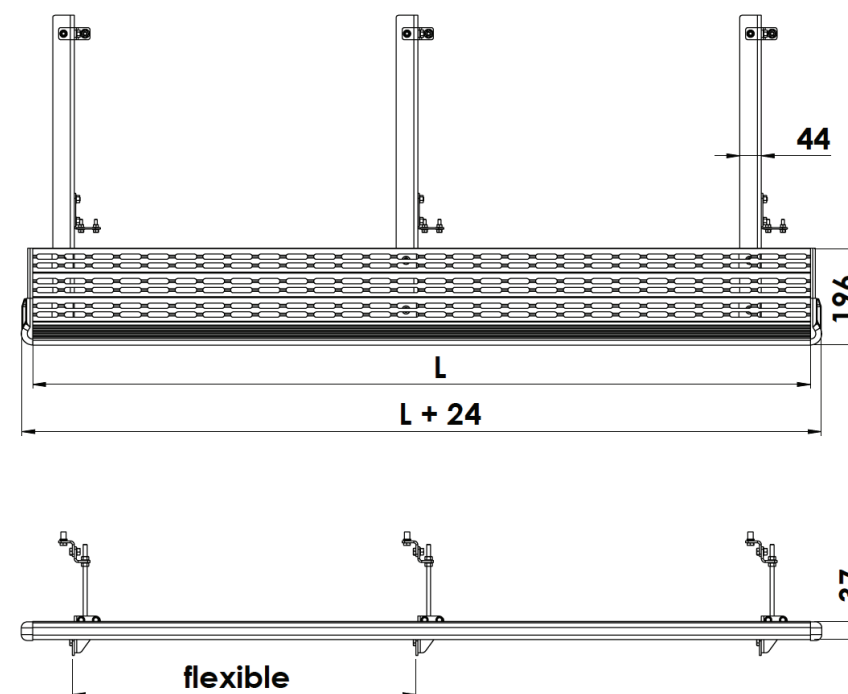
The **VERSA^{AXS} FX** has a loading capacity of 150Kg. It is available in a variety of lengths from 700mm up to 2000mm. The **VERSA^{AXS} FX** is supplied with a Flexi-Fit mounting system.



VERSA^{AXS} FX Specifications:

Weight including brackets:

| Type | Width (L) | Weight | Brackets |
|-----------|-----------|--------|----------|
| AXS 700F | 680 | 11.6Kg | 2 |
| AXS 1200F | 1190 | 14.5Kg | 2 |
| AXS 1600F | 1585 | 19Kg | 3 |
| AXS 1800F | 1810 | 20.3Kg | 3 |
| AXS 2000F | 1980 | 21.3Kg | 3 |





Mobility Networks Group
12 Estuary View Business Park
Whitstable, Kent, CT5 3SE

+44(0)1227 505 022
www.mobilitynetworksgroup.com
info@mobilitynetworksgroup.com

