

Mobility

NETWORKS

VEHICLE ACCESSIBILITY SOLUTIONS



accessRAMP & seRAMP RANGE

With passenger comfort and safety of the highest priority, Mobility Networks' ramp portfolio is unrivaled in the UK and abroad.

Mobility Networks Group
12 Estuary View Business Park
Whitstable, Kent, CT5 3SE
+44(0)1227 505 022
www.mobilitynetworksgroup.com

accessRAMP

The accessRAMP range focusses on low-maintenance ramps that are installed at the rear of the vehicle. The ramps in this range are best suited to M1 and M2 vehicles.



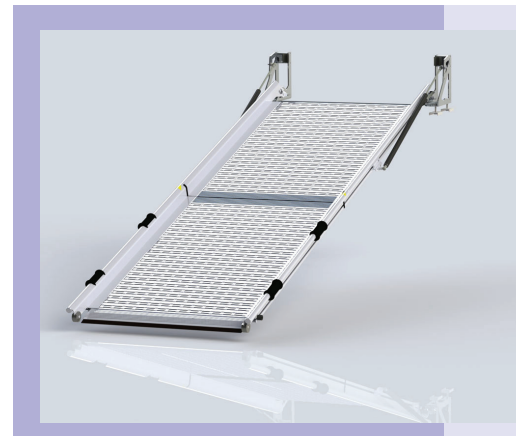
AXS FL RAMP

Ergonomical Design

The AXS FL Ramp is a hand operated, lightweight ramp for minibuses/midibuses. Made with aluminium, the AXS FL Ramp is durable and strong.

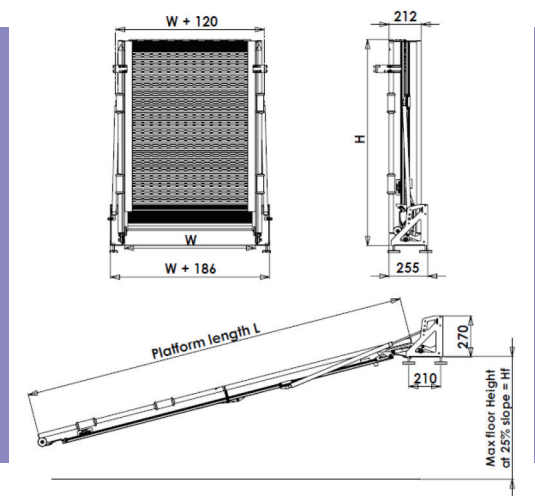
Weatherproof

The solid platform design allows snow, rain and dirt through which helps with maintenance and long term durability.



Type	Platform			Mass (Kg)
	L	W	H	
AR FL 210-8/2	2100	860	1160	39
AR FL 250-8/2	2500	860	1360	44
AR FL 280-8/2	2800	860	1515	48
AR FL 280-10/2	2800	980	1515	52

Max Load 400 Kg



Features

- Lightweight design
- Kick-out emergency opening from inside the vehicle
- M1 (20G) tested
- Ramp entrance with adapting flaps and rubber edge
- Auto lock for easy operation without additional handling

Options

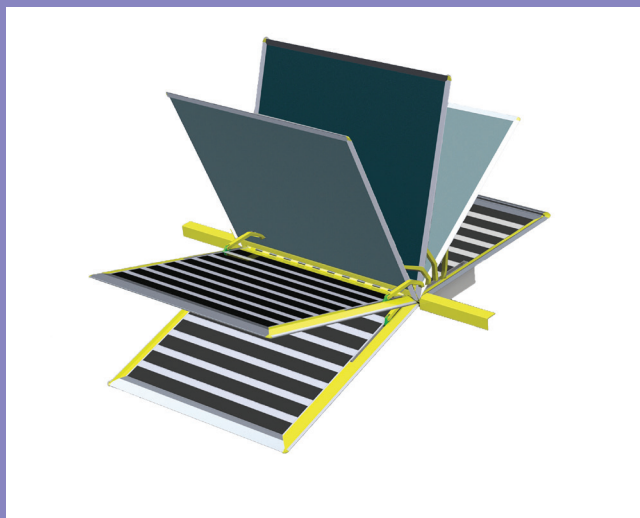
- AXS FL Ramp options:
- HD wheel kit (as in picture)
- 600kg load upgrade kit (centre leg kit)
- 50mm Yellow sticker kit
- 90 degree turn table (turn in and out)

seRAMP

The seRAMP Range includes a variety of ramps for M1, M2 and M3 vehicles. All the ramps in this range are primarily suited to being installed in the side of a vehicle. Electric and manual options are available.

AXS EPR/CR RAMP

The AXS EPR/CR Ramp is the ideal solution for low-floor minibuses and buses due to its light weight, deployment speed and high loading capacity. The EPR Ramp is the automatic version and the CR Ramp is the manual version. Both ramps are thoroughly tested to ensure they meet the durability requirements of regular bus use.



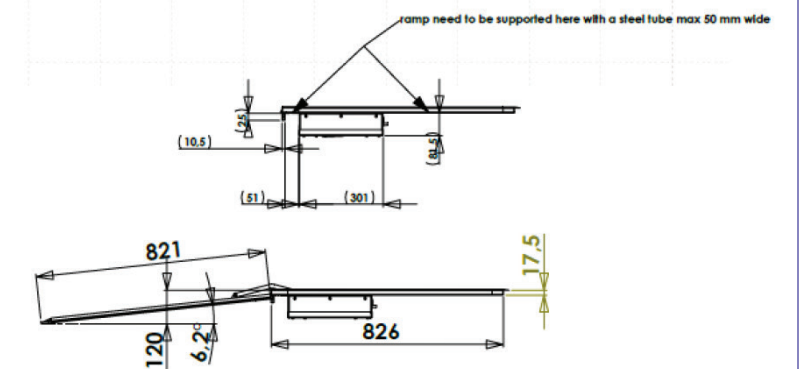
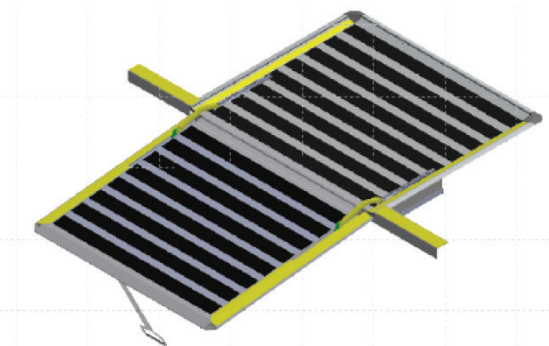
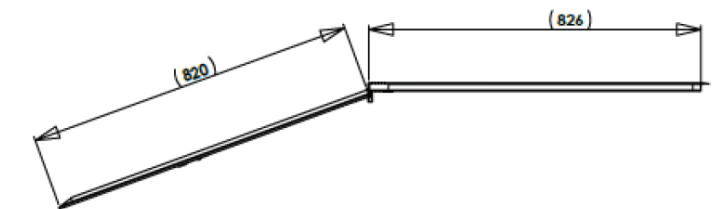
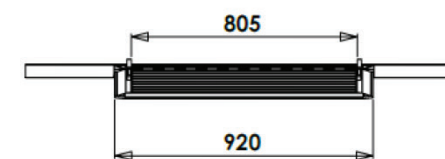
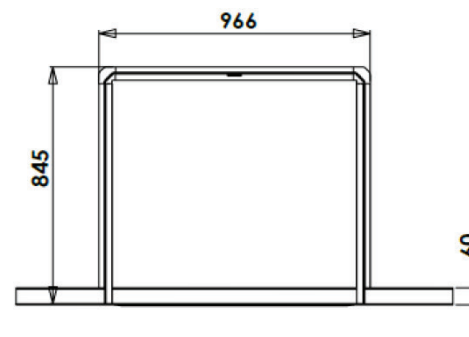
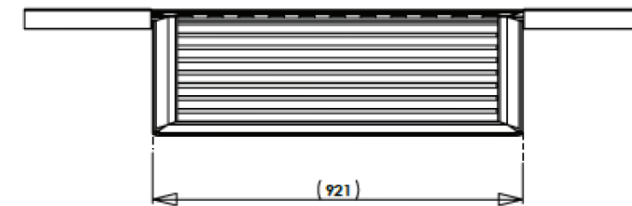
Ramp standard weight: 16Kg (CR Manual) | 36Kg (EPR Automatic)

Dimensions: 825 mm (w) x 880 mm (l)

Installation Dimensions: 930 mm (w) x 830 mm (l)

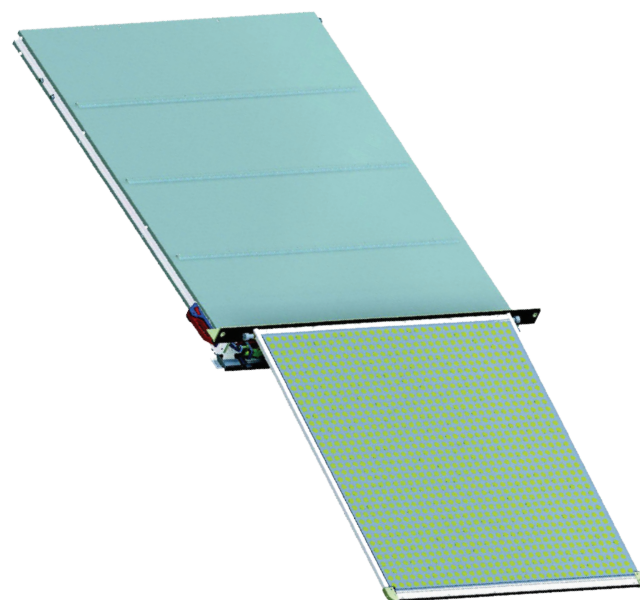
Fast & Durable for Regular Use

- Durable and non-corrosive design
- Ultra-slim design for space saving
- Enhanced safety features
- Low weight for fuel efficiency (36Kg)
- High loading capacity of 350Kg
- Suitable for most low floor buses and minibuses
- Full deployment in only 8 seconds



RC 120 NBT 04 RAMP

The RC 120 NBT 04 Ramp is a cost efficient and reliable solution for city buses. The ramp has an anti-slip surface with sensors and a protective coating to increase durability and long life. The ramp aligns with the vehicle door and features a manual emergency system.



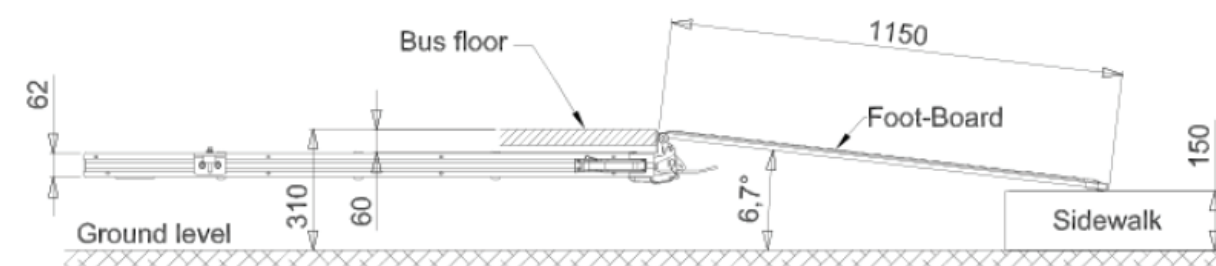
The sensitive mat surface and sensitive edge mean that safety will never be compromised for passengers or operators. It can be manually opened for easy maintenance and the compact cassette platform along with the internal tracking system make the RC 120 NBT 04 a simple, safe and efficient option for making a vehicle accessible to everyone.

Deployment

It only takes 6 seconds to fully mobilise which means it's an efficient piece of equipment to use with buses when time is of the essence.

Dimensions

1200 mm (w) x 1400 mm (l)



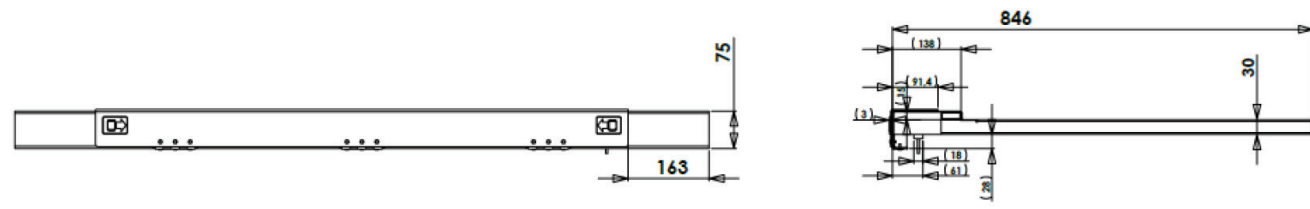
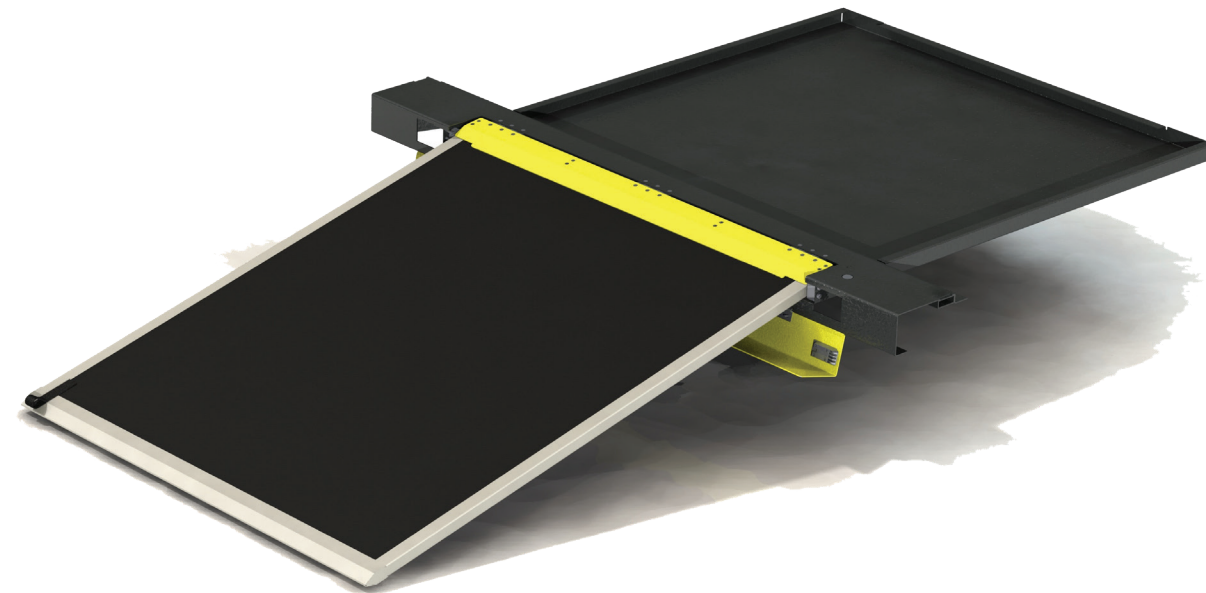
High Loading Capacity

The ramp weighs 75Kg and has a loading capacity of 300Kg.
1200 mm (w) x 1400 mm (l)



MOCR RAMP

The MOCR (Manual Operated Cassette Ramp) is a basic hand operated ramp for low-floor minibuses. The ramp slides into a steel cassette under the floor, leaving enough space on the floor to place a wheelchair. Once installed, the cassette becomes an integral part of the door step.



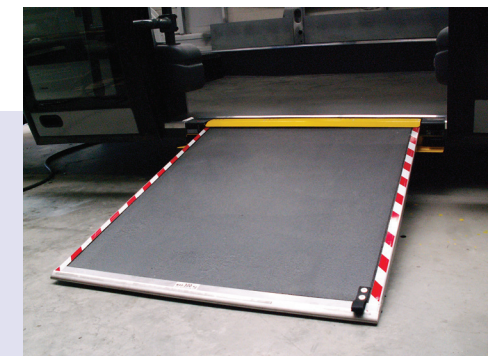
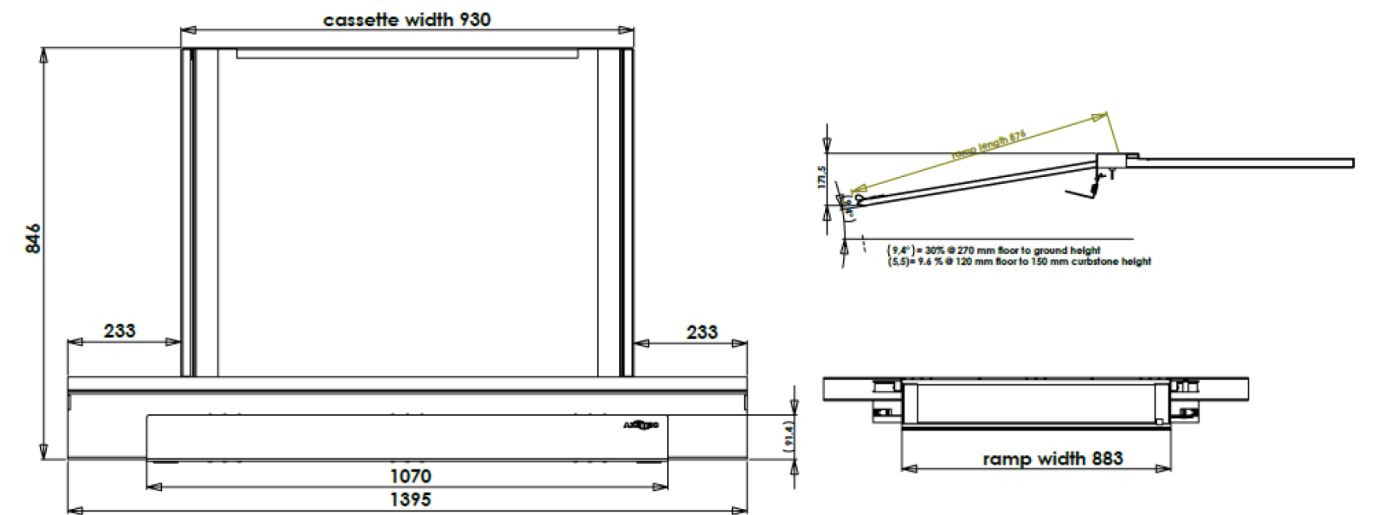
Dimensions

Installation dimensions:
 Width x length x height:
 980mm x 1033mm x 30mm
 (contact us for a detailed
 installation drawing)
 Platform L880mm x W850mm
 Maximum loading capacity 300Kg
 Weight 25Kg including steel cassette

Slim Design

Non-slip surfaces and
 stainless steel edges

 Thin installation cassette
 thickness of 30mm





Mobility Networks Group
12 Estuary View Business Park
Whitstable, Kent, CT5 3SE

+44(0)1227 505 022
www.mobilitynetworksgroup.com
info@mobilitynetworksgroup.com

